



DC BLOWER- SUPER HIGH PRESSURE

5970

Ø59×70MM

General Specifications

- ◆ Material..... Frame: Plastic (UL94V-0)
Impeller: Plastic (UL94V-0)
Lead Wire: UL1332AWG#24 205mm
Connector: Molex5557-04R-210
- ◆ Expected Life..... Ball Bearing 50,000hrs (40°C)
- ◆ Temperature Range.... Operating temperature -10°C~60°C
(Non-condensing)
- ◆ Safety Standards..... RoHS , CE
- ◆ DC Fan Specials..... RD, FG, PWM, IPXX (available with special IP rating)
- ◆ Application Portable Ventilator

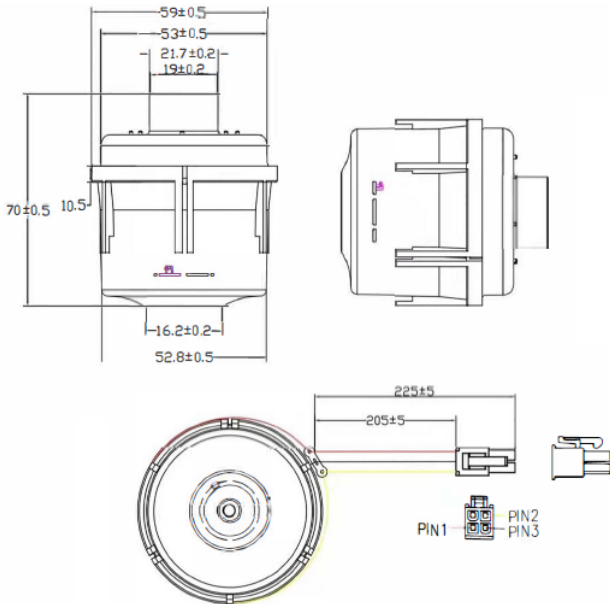


Specifications

Model	#Bearing Type	Rated Voltage	Operating Voltage	Input Current	Input Power	Speed	Max Air Flow	Max Static Pressure	Noise	Weight		
Part No.	B	VDC	VDC	Amp	Watt	RPM	CFM	m ³ /min	Inch-H ₂ O	mmH ₂ O	dB-A	g
sDBS5970V24H-TK	B	24	18.0~26.50	3.14	75.50	30650	13.10	0.370	30.10	780.00	69.20	165.8

Specifications are subject to change without notice. Please visit our website at <http://www.sofasco.com> for update information

Dimensions (Unit:mm)



PQ Curve (At rated Voltage)

