

4028

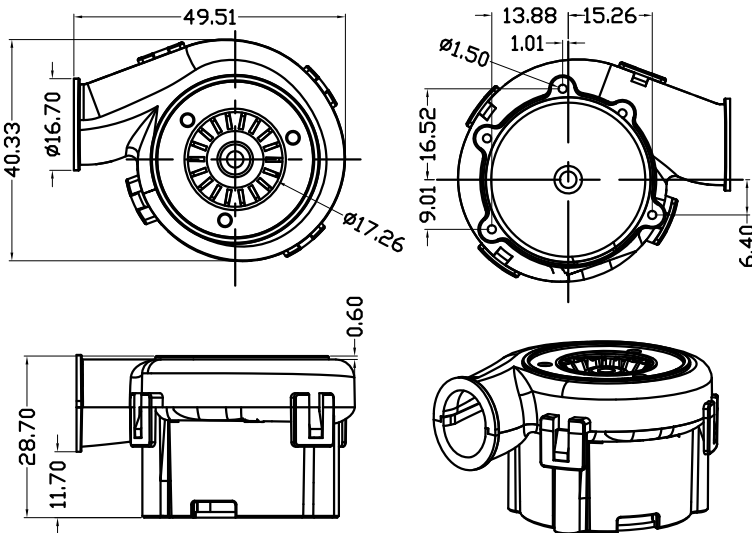
40X28MM -A TYPE

Application:
Portable Ventilation

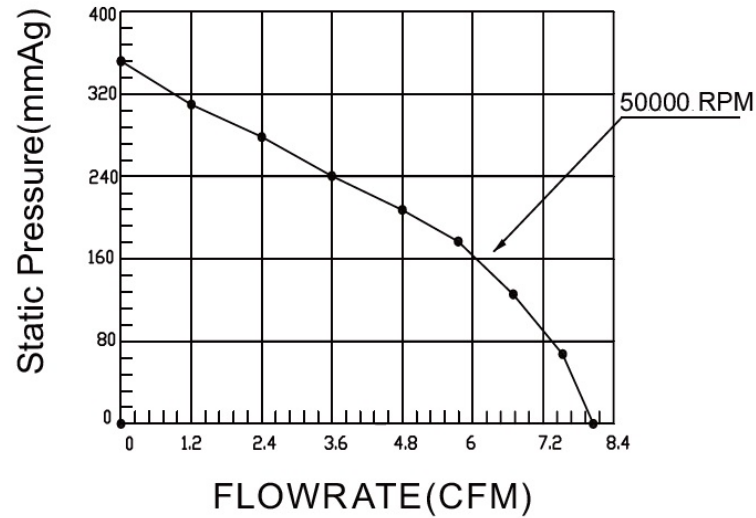


NOTE: THIS BLOWER REQUIRES AN EXTERNAL DRIVER

Dimensions (Unit:mm)



PQ Curve (At rated Voltage)



Specifications

Model	#Bearing Type	Rated Voltage	Operating Voltage	Input Current	Input Power	Speed	Max Air Flow		Max Static Pressure		Noise	Weight
Part No.	B	VDC	VDC	Amp	Watt	RPM	CFM	m ³ /min	Inch-H ₂ O	mmH ₂ O	dB-A	g
sDBS4028AV24H-TK	B	24	12.0~27.0	2.00	48.00	50000	7.08	0.200	14.06	356.90	65.00	64.00

Specifications are subject to change without notice. Please visit our website at <http://www.sofasco.com> for update information