

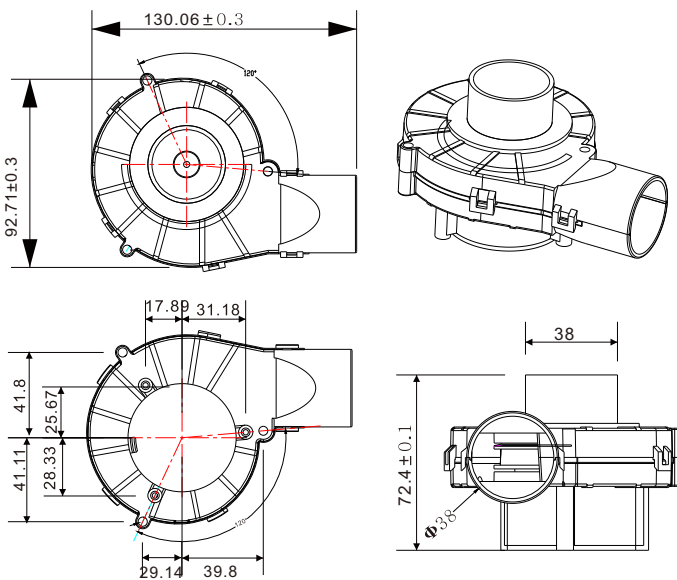
13072

130X72MM TYPE

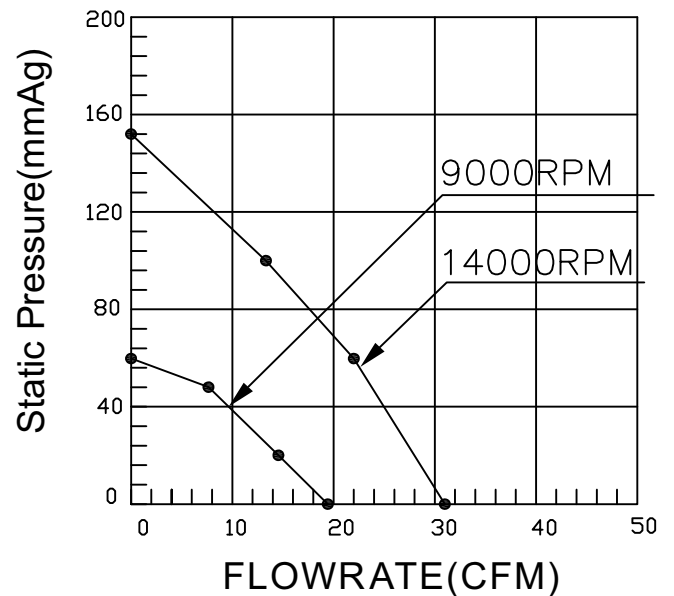
Application:
Stove oven related heat
dissipation



Dimensions (Unit:mm)



PQ Curve (At rated Voltage)



Specifications

Model	#Bearing Type	Rated Voltage	Operating Voltage	Input Current	Input Power	Speed	Max Air Flow		Max Static Pressure		Noise	Weight
Part No.	B	VDC	VDC	Amp	Watt	RPM	CFM	m ³ /min	Inch-H ₂ O	mmH ₂ O	dB-A	g
sDBS13072V12M-TK	B	12	7.50~13.5	0.60	7.20	9000	19.70	0.58	2.30	58.20	59.90	225.00
sDBS13072V12H-TK	B	12	7.50~13.5	1.50	18.00	14000	30.90	0.88	6.03	153.20	68.60	225.00
sDBS13072V24M-TK	B	24	18.0~26.5	0.30	7.20	9000	19.70	0.58	2.30	58.20	59.90	225.00
sDBS13072V24H-TK	B	24	18.0~26.5	0.75	18.00	14000	30.90	0.88	6.03	153.20	68.60	225.00

Specifications are subject to change without notice. Please visit our website at <http://www.sofasco.com> for update information