

12674

126x74MM

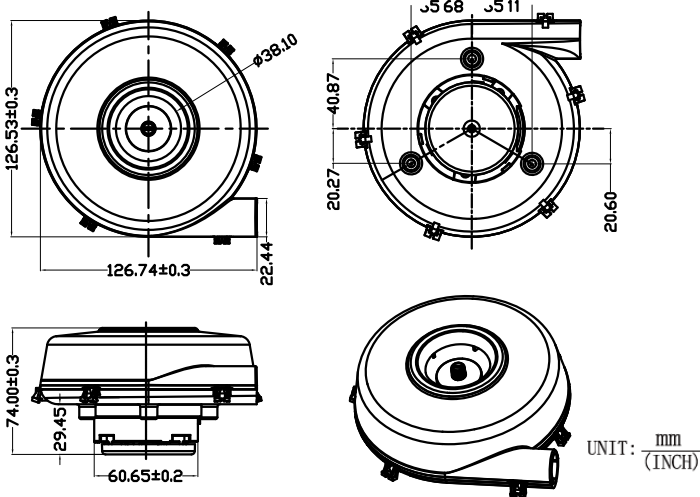
General Specifications

- Material..... Frame: Upper volute PC, lower volute aluminum(Flammability:UL94V-0)
Impeller: aluminum(Flammability:UL94V-0)
- Expected Life..... Ball Bearing 50,000hrs (40°C)
- Application Portable Ventilator

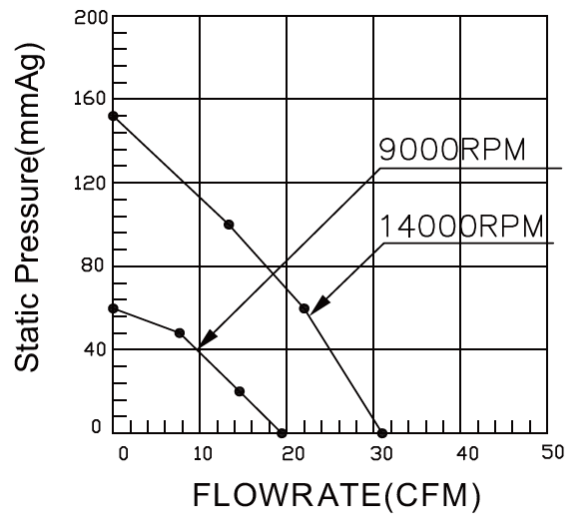


NOTE: THIS BLOWER REQUIRES AN EXTERNAL DRIVER

Dimensions (Unit:mm)



PQ Curve (At rated Voltage)



Specifications

Model	#Bearing Type	Rated Voltage	Operating Voltage	Input Current	Input Power	Speed	Max Air Flow		Max Static Pressure		Noise	Weight
Part No.	B	VDC	VDC	Amp	Watt	RPM	CFM	m ³ /min	Inch-H ₂ O	mmH ₂ O	dB-A	g
sDBS12674V12H-TK	B	12	7.50~13.5	0.56	6.70	5000	13.00	0.368	2.25	57.10	57.10	516.00
sDBS12674V12SH-TK	B	12	7.50~13.5	5.00	60.00	11000	26.30	0.744	12.87	328.8	67.40	516.00
sDBS12674V24L-TK	B	24	18.0~26.5	0.28	6.70	5000	13.00	0.368	2.25	57.10	57.10	516.00
sDBS12674V24M-TK	B	24	18.0~26.5	2.50	60.00	11000	26.30	0.744	12.87	328.8	67.40	516.00
sDBS12674V24H-TK	B	24	18.0~26.5	6.20	148.80	15000	37.30	1.066	29.61	752.0	71.90	516.00

Specifications are subject to change without notice. Please visit our website at <http://www.sofasco.com> for update information