

## 4010

## 40x52x10MM

### General Specifications

- ◆ Material..... Frame: Plastic (UL94V-0)  
Impeller: Plastic (UL94V-0)  
Lead Wire: UL1571AWG#28 or Equivalent (+) Red, (-) Black
- ◆ Expected Life..... Ball Bearing 70,000hrs (40°C)  
Sleeve Bearing 30,000hrs (40°C)
- ◆ Temperature Range.... Operating temperature -10°C~70°C (Non-condensing)  
Storage temperature -40°C~70°C (Non-condensing)
- ◆ Safety Standards..... UL, TUV, RoHS, CE
- ◆ DC Fan Specials..... RD, FG, PWM, IP56

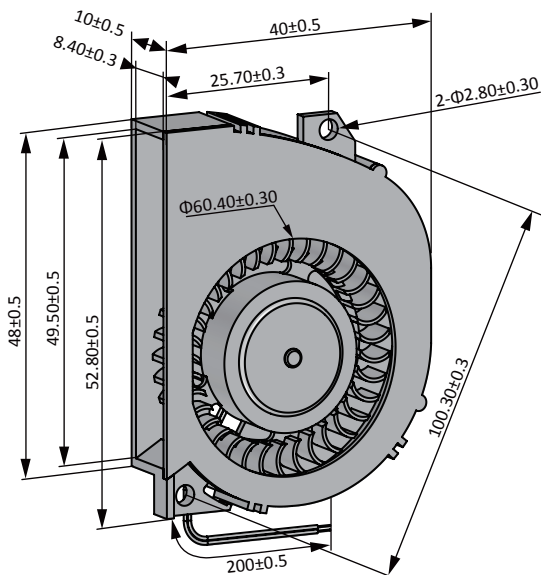


### Specifications

Model	#Bearing Type	Rated Voltage	Operating Voltage	Input Current	Input Power	Speed	Max Air Flow		Max Static Pressure		Noise	Weight
Part No.	B.S	VDC	VDC	Amp	Watt	RPM	CFM	m <sup>3</sup> /min	Inch-H <sub>2</sub> O	Pa	dB-A	g
sDB4010V5H	B.S	5	3.5~5.5	0.23	1.15	5000	3.06	0.09	0.29	72.57	27.0	21.0
sDB4010V5M	B.S	5	3.5~5.5	0.20	1.00	4500	2.64	0.07	0.21	52.37	25.0	21.0
sDB4010V5L	B.S	5	3.5~5.5	0.16	0.80	4000	2.23	0.06	0.15	37.85	23.0	21.0
sDB4010V12U	B.S	12	7.0~13.8	0.18	2.16	5500	3.12	0.09	0.31	77.08	29.0	21.0
sDB4010V12H	B.S	12	7.0~13.8	0.15	1.80	5000	3.06	0.09	0.29	72.57	27.0	21.0
sDB4010V12M	B.S	12	7.0~13.8	0.12	1.44	4500	2.64	0.07	0.21	52.37	25.0	21.0
sDB4010V12L	B.S	12	7.0~13.8	0.10	1.20	4000	2.23	0.06	0.15	37.85	23.0	21.0
sDB4010V24U	B.S	24	14.0~27.6	0.10	2.40	5500	3.12	0.09	0.31	77.08	29.0	21.0
sDB4010V24H	B.S	24	14.0~27.6	0.07	1.68	5000	3.06	0.09	0.29	72.57	27.0	21.0
sDB4010V24M	B.S	24	14.0~27.6	0.05	1.20	4500	2.64	0.07	0.21	52.37	25.0	21.0
sDB4010V24L	B.S	24	14.0~27.6	0.03	0.72	4000	2.23	0.06	0.15	37.85	23.0	21.0

Specifications are subject to change without notice. Please visit our website at <http://www.sofasco.com> for update information

### Dimensions (Unit:mm)



### PQ Curve (At rated Voltage)

