

## 3507

## 35x35x07MM

### General Specifications

- ◆ Material..... Frame: Aluminum alloy  
Impeller: UL94V-0 Glass Filled polyester (P.B.T)  
Lead Wire: UL1571AWG#28 or Equivalent (+) Red, (-) Black
- ◆ Expected Life..... Hypo Bearing 50,000hrs (40°C)
- ◆ Temperature Range.... Operating temperature -10°C~70°C (Non-condensing)  
Storage temperature -40°C~70°C (Non-condensing)
- ◆ Safety Standards..... RoHS, CE
- ◆ Insulation Shock..... Class A

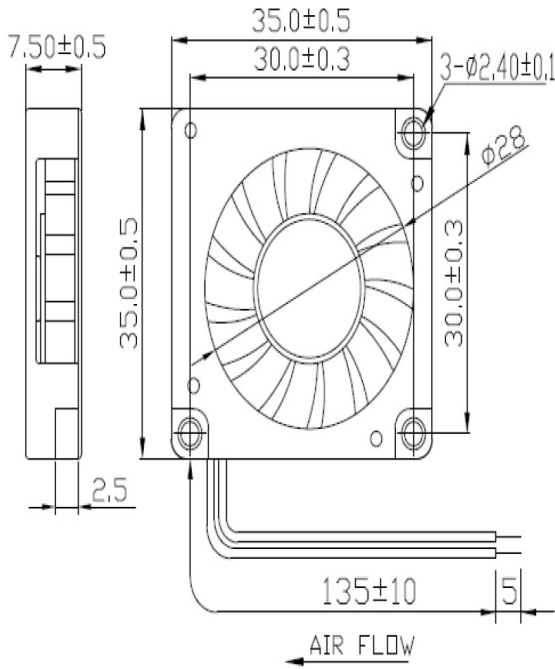


### Specifications

Model	#Bearing Type	Rated Voltage	Operating Voltage	Input Current	Input Power	Speed	Max Air Flow		Max Static Pressure		Noise	Weight
Part No.	O	VDC	VDC	Amp	Watt	RPM	CFM	m <sup>3</sup> /min	Inch-H <sub>2</sub> O	Pa	dB-A	g
sDB3507V5M0	Hypo	5	4.5~5.5	0.08	0.40	6500	1.00	0.028	0.19	47.32	25.5	13.0
sDB3507V12M0	Hypo	12	10.8~13.2	0.12	0.48	6500	1.00	0.028	0.19	47.32	25.5	13.0

Specifications are subject to change without notice. Please visit our website at <http://www.sofaco.com> for update info.

### Dimensions (Unit:mm)



Unit: mm

### PQ Curve (At rated Voltage)

