

## 12032 120x120x32MM

### General Specifications

- ◆ Material..... Frame: Plastic (UL94V-0)  
Impeller: Plastic (UL94V-0)  
Lead Wire: UL1007AWG#24 or Equivalent (+) Red, (-) Black
- ◆ Expected Life..... Ball Bearing 70,000hrs (40°C)  
Sleeve Bearing 30,000hrs (40°C)
- ◆ Temperature Range.... Operating temperature -10°C~70°C (Non-condensing)  
Storage temperature -40°C~70°C (Non-condensing)
- ◆ Safety Standards..... UI, TUV, RoHS, CE
- ◆ DC Fan Specials..... RD, FG, PWM, IP56

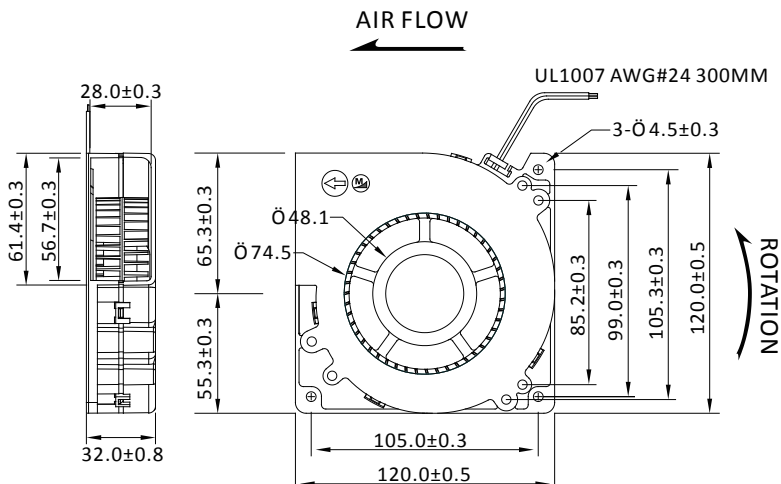


### Specifications

Model	#Bearing Type	Rated Voltage	Operating Voltage	Input Current	Input Power	Speed	Max Air Flow		Max Static Pressure		Noise	Weight
Part No.	B.S	VDC	VDC	Amp	Watt	RPM	CFM	m <sup>3</sup> /min	Inch-H <sub>2</sub> O	Pa	dB-A	g
sDB12032V12H	B.S	12	7.0~13.8	2.00	24.00	3500	41.20	1.17	1.85	461.99	57.0	278.0
sDB12032V12M	B.S	12	7.0~13.8	1.00	12.00	3000	35.44	1.00	1.17	291.94	51.0	278.0
sDB12032V12L	B.S	12	7.0~13.8	0.70	8.40	2500	30.79	0.87	0.83	207.90	45.0	278.0
sDB12032V24H	B.S	24	14.0~27.6	1.00	24.00	3500	41.20	1.17	1.85	461.99	57.0	278.0
sDB12032V24M	B.S	24	14.0~27.6	0.70	16.80	3000	35.44	1.00	1.17	291.94	51.0	278.0
sDB12032V24L	B.S	24	14.0~27.6	0.40	9.60	2500	30.79	0.87	0.83	207.90	45.0	278.0
sDB12032V48H	B.S	48	28.0~56.0	0.50	24.00	3500	41.20	1.17	1.85	461.99	57.0	278.0
sDB12032V48M	B.S	48	28.0~56.0	0.30	14.40	3000	35.44	1.00	1.17	291.94	51.0	278.0
sDB12032V48L	B.S	48	28.0~56.0	0.20	9.60	2500	30.79	0.87	0.83	207.90	45.0	278.0

Specifications are subject to change without notice. Please visit our website at <http://www.sofasco.com> for update information

### Dimensions (Unit:mm)



### PQ Curve (At rated Voltage)

