

9232

92x92x32MM



General Specifications

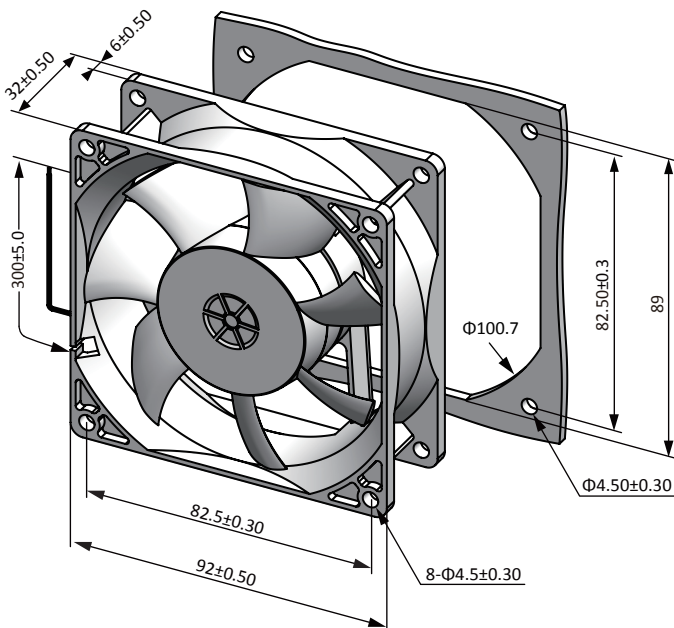
- ◆ Material..... Frame: Plastic (UL94V-0)
Impeller: Plastic (UL94V-0)
Lead Wire: UL1007AWG#24 or Equivalent (+) Red, (-) Black
- ◆ Expected Life..... Ball Bearing 70,000hrs (40°C)
- ◆ Temperature Range.... Operating temperature -10°C~70°C (Non-condensing)
Storage temperature -40°C~70°C (Non-condensing)
- ◆ Safety Standards..... UI, TUV, RoHS, CE
- ◆ DC Fan Specials..... RD, FG, PWM, IP56

Specifications

Model	#Bearing Type	Rated Voltage	Operating Voltage	Input Current	Input Power	Speed	Max Air Flow		Max Static Pressure		Noise	Weight
Part No.	B.S	VDC	VDC	Amp	Watt	RPM	CFM	m ³ /min	Inch-H ₂ O	Pa	dB-A	g
sD9232V12U	B	12	7.0~13.8	2.50	30.00	6000	123.72	3.50	0.93	231.44	59.0	150.0
sD9232V12H	B	12	7.0~13.8	1.80	21.60	5500	113.08	3.20	0.76	189.66	55.0	150.0
sD9232V12M	B	12	7.0~13.8	1.20	14.40	5000	105.67	2.99	0.69	171.13	52.0	150.0
sD9232V12L	B	12	7.0~13.8	0.90	10.80	4500	92.01	2.61	0.53	132.00	49.0	150.0
sD9232V24U	B	24	14.0~27.6	1.50	36.00	6000	123.72	3.50	0.93	231.44	59.0	150.0
sD9232V24H	B	24	14.0~27.6	1.00	24.00	5500	113.08	3.20	0.76	189.66	55.0	150.0
sD9232V24M	B	24	14.0~27.6	0.80	19.20	5000	105.67	2.99	0.69	171.13	52.0	150.0
sD9232V24L	B	24	14.0~27.6	0.60	14.40	4500	92.01	2.61	0.53	132.00	49.0	150.0
sD9232V48U	B	48	28.0~56.0	0.80	38.40	6000	123.72	3.50	0.93	231.44	59.0	150.0
sD9232V48H	B	48	28.0~56.0	0.50	24.00	5500	113.08	3.20	0.76	189.66	55.0	150.0
sD9232V48M	B	48	28.0~56.0	0.40	19.20	5000	105.67	2.99	0.69	171.13	52.0	150.0
sD9232V48L	B	48	28.0~56.0	0.30	14.40	4500	92.01	2.61	0.53	132.00	49.0	150.0

Specifications are subject to change without notice. Please visit our website at <http://www.sofasco.com> for update information

Dimensions (Unit:mm)



PQ Curve (At rated Voltage)

