

8015

80x80x15MM



General Specifications

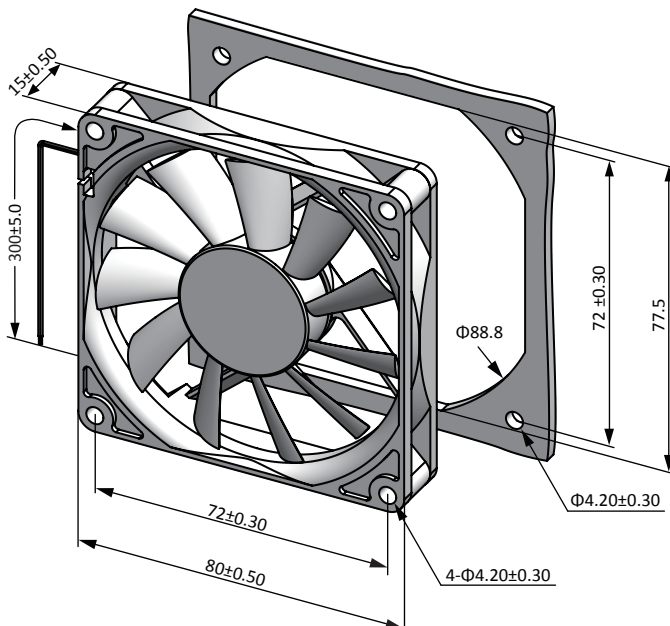
- ◆ Material..... Frame: Plastic (UL94V-0)
Impeller: Plastic (UL94V-0)
Lead Wire: UL1007AWG#24 or Equivalent (+) Red, (-) Black
- ◆ Expected Life..... Ball Bearing 70,000hrs (40°C)
Sleeve Bearing 30,000hrs (40°C)
- ◆ Temperature Range.... Operating temperature -10°C~70°C (Non-condensing)
Storage temperature -40°C~70°C (Non-condensing)
- ◆ Safety Standards..... UI, TUV, RoHS, CE
- ◆ DC Fan Specials..... RD, FG, PWM, IP56

Specifications

Model	#Bearing Type	Rated Voltage	Operating Voltage	Input Current	Input Power	Speed	Max Air Flow		Max Static Pressure		Noise	Weight
Part No.	B.S	VDC	VDC	Amp	Watt	RPM	CFM	m ³ /min	Inch-H ₂ O	Pa	dB-A	g
sD8015V5M	B.S	5	3.5~5.5	0.38	1.90	2500	27.45	0.78	0.08	18.73	27.0	54.0
sD8015V5L	B.S	5	3.5~5.5	0.25	1.25	2000	22.07	0.63	0.05	12.55	23.0	54.0
sD8015V12H	B.S	12	7.0~13.8	0.30	3.60	3000	34.33	0.97	0.11	27.16	33.0	54.0
sD8015V12M	B.S	12	7.0~13.8	0.20	2.40	2500	27.45	0.78	0.08	18.73	27.0	54.0
sD8015V12L	B.S	12	7.0~13.8	0.12	1.44	2000	22.07	0.63	0.05	12.55	23.0	54.0
sD8015V24H	B.S	24	14.0~27.6	0.18	4.32	3000	34.33	0.97	0.11	27.16	33.0	54.0
sD8015V24M	B.S	24	14.0~27.6	0.15	3.60	2500	27.45	0.78	0.08	18.73	27.0	54.0
sD8015V24L	B.S	24	14.0~27.6	0.10	2.40	2000	22.07	0.63	0.05	12.55	23.0	54.0

Specifications are subject to change without notice. Please visit our website at <http://www.sofasco.com> for update information

Dimensions (Unit:mm)



PQ Curve (At rated Voltage)

