

6025

60x60x25MM



General Specifications

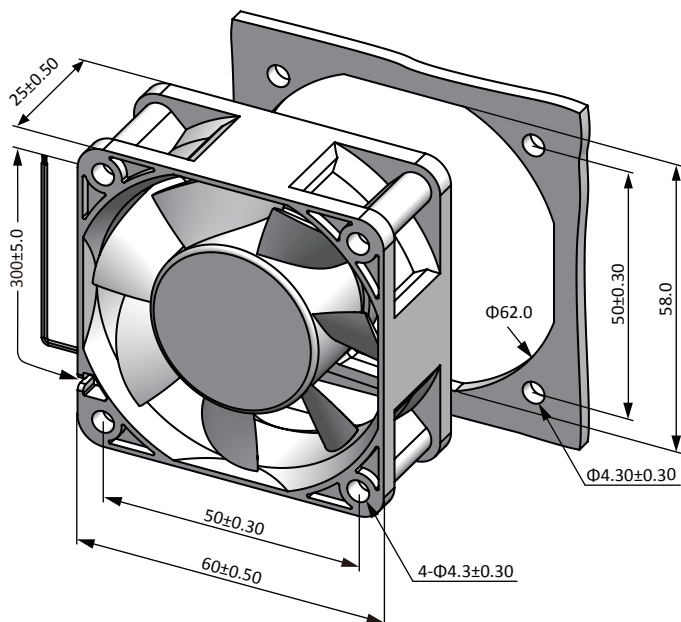
- ◆ Material..... Frame: Plastic (UL94V-0)
Impeller: Plastic (UL94V-0)
Lead Wire: UL1571AWG#24 or Equivalent (+) Red, (-) Black
- ◆ Expected Life..... Ball Bearing 70,000hrs (40°C)
Sleeve Bearing 30,000hrs (40°C)
- ◆ Temperature Range... Operating temperature -10°C~70°C (Non-condensing)
Storage temperature -40°C~70°C (Non-condensing)
- ◆ Safety Standards..... UL, TUV, RoHS, CE
- ◆ DC Fan Specials..... RD, FG, PWM, IP56

Specifications

Model	#Bearing Type	Rated Voltage	Operating Voltage	Input Current	Input Power	Speed	Max Air Flow		Max Static Pressure		Noise	Weight
Part No.	B.S	VDC	VDC	Amp	Watt	RPM	CFM	m ³ /min	Inch-H ₂ O	Pa	dB-A	g
sD6025V12U	B.S	12	7.0~13.8	0.45	5.40	6000	29.43	0.83	0.37	91.40	45.0	56.0
sD6025V12H	B.S	12	7.0~13.8	0.25	3.00	5000	24.77	0.70	0.27	67.47	38.0	56.0
sD6025V12M	B.S	12	7.0~13.8	0.18	2.16	4000	19.15	0.54	0.17	42.56	32.0	56.0
sD6025V12L	B.S	12	7.0~13.8	0.10	1.20	3000	14.77	0.42	0.11	26.38	27.0	56.0
sD6025V12D	B.S	12	7.0~13.8	0.06	0.72	2000	9.20	0.26	0.04	10.49	23.0	56.0
sD6025V24U	B.S	24	14.0~27.6	0.25	6.00	6000	29.43	0.83	0.37	91.40	45.0	56.0
sD6025V24H	B.S	24	14.0~27.6	0.18	4.32	5000	24.77	0.70	0.27	67.47	38.0	56.0
sD6025V24M	B.S	24	14.0~27.6	0.15	3.60	4000	19.15	0.54	0.17	42.56	32.0	56.0
sD6025V24L	B.S	24	14.0~27.6	0.10	2.40	3000	14.77	0.42	0.11	26.38	27.0	56.0
sD6025V48U	B.S	48	28.0~56.0	0.18	8.64	6000	29.43	0.83	0.37	91.40	45.0	56.0
sD6025V48H	B.S	48	28.0~56.0	0.12	5.76	5000	24.77	0.70	0.27	67.47	38.0	56.0
sD6025V48M	B.S	48	28.0~56.0	0.08	3.84	4000	19.15	0.54	0.17	42.56	32.0	56.0
sD6025V48L	B.S	48	28.0~56.0	0.06	2.88	3000	14.77	0.42	0.11	26.38	27.0	56.0

Specifications are subject to change without notice. Please visit our website at <http://www.sofasco.com> for update information

Dimensions (Unit:mm)



PQ Curve (At rated Voltage)

