

6020

60x60x20MM



General Specifications

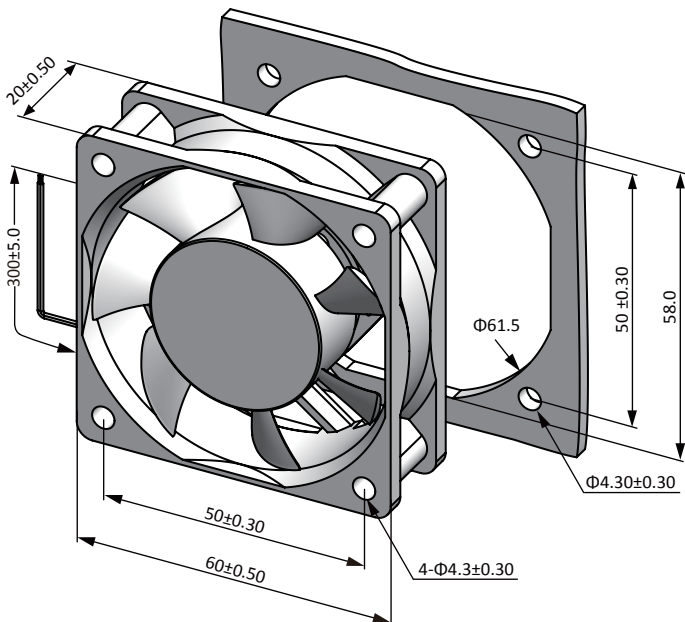
- ◆ Material..... Frame: Plastic (UL94V-0)
Impeller: Plastic (UL94V-0)
Lead Wire: UL1007AWG#24 or Equivalent (+) Red, (-) Black
- ◆ Expected Life..... Ball Bearing 70,000hrs (40°C)
Sleeve Bearing 30,000hrs (40°C)
- ◆ Temperature Range.... Operating temperature -10°C~70°C (Non-condensing)
Storage temperature -40°C~70°C (Non-condensing)
- ◆ Safety Standards..... UI, TUV, RoHS, CE
- ◆ DC Fan Specials..... RD, FG, PWM, IP56

Specifications

Model	#Bearing Type	Rated Voltage	Operating Voltage	Input Current	Input Power	Speed	Max Air Flow		Max Static Pressure		Noise	Weight
Part No.	B.S	VDC	VDC	Amp	Watt	RPM	CFM	m ³ /min	Inch-H ₂ O	Pa	dB-A	g
sD6020V12U	B.S	12	7.0~13.8	0.25	3.00	5000	23.16	0.66	0.24	58.94	34.0	52.0
sD6020V12H	B.S	12	7.0~13.8	0.20	2.40	4500	21.40	0.61	0.20	48.94	31.0	52.0
sD6020V12M	B.S	12	7.0~13.8	0.16	1.92	4000	18.74	0.53	0.16	38.83	28.0	52.0
sD6020V12L	B.S	12	7.0~13.8	0.12	1.44	3500	16.38	0.46	0.12	29.52	25.0	52.0
sD6020V12D	B.S	12	7.0~13.8	0.10	1.20	3000	13.80	0.39	0.09	22.26	23.0	52.0
sD6020V24U	B.S	24	14.0~27.6	0.16	3.84	5000	23.16	0.66	0.24	58.94	34.0	52.0
sD6020V24H	B.S	24	14.0~27.6	0.14	3.36	4500	21.40	0.61	0.20	48.94	31.0	52.0
sD6020V24M	B.S	24	14.0~27.6	0.12	2.88	4000	18.74	0.53	0.16	38.83	28.0	52.0
sD6020V24L	B.S	24	14.0~27.6	0.10	2.40	3500	16.38	0.46	0.12	29.52	25.0	52.0
sD6020V48U	B.S	48	28.0~56.0	0.08	3.84	5000	23.16	0.66	0.24	58.94	34.0	52.0
sD6020V48H	B.S	48	28.0~56.0	0.07	3.36	4500	21.40	0.61	0.20	48.94	31.0	52.0
sD6020V48M	B.S	48	28.0~56.0	0.06	2.88	4000	18.74	0.53	0.16	38.83	28.0	52.0
sD6020V48L	B.S	48	28.0~56.0	0.05	2.40	3500	16.38	0.46	0.12	29.52	25.0	52.0

Specifications are subject to change without notice. Please visit our website at <http://www.sofasco.com> for update information

Dimensions (Unit:mm)



PQ Curve (At rated Voltage)

