

## 5025

## 50x50x25MM



### General Specifications

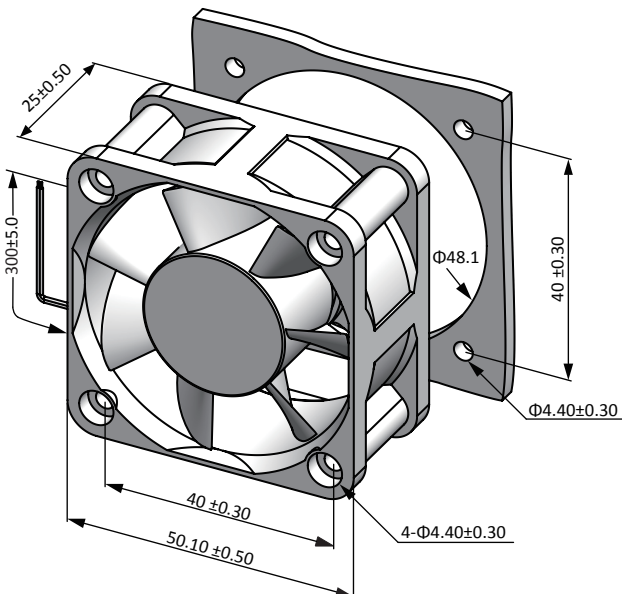
- ◆ Material..... Frame: Plastic (UL94V-0)  
Impeller: Plastic (UL94V-0)  
Lead Wire: UL1007AWG#24 or Equivalent (+) Red, (-) Black
- ◆ Expected Life..... Ball Bearing 70,000hrs (40°C)  
Sleeve Bearing 30,000hrs (40°C)
- ◆ Temperature Range.... Operating temperature -10°C~70°C (Non-condensing)  
Storage temperature -40°C~70°C (Non-condensing)
- ◆ Safety Standards..... UL, TUV, RoHS, CE
- ◆ DC Fan Specials..... RD, FG, PWM, IP56

### Specifications

Model	#Bearing Type	Rated Voltage	Operating Voltage	Input Current	Input Power	Speed	Max Air Flow		Max Static Pressure		Noise	Weight
Part No.	B.S	VDC	VDC	Amp	Watt	RPM	CFM	m <sup>3</sup> /min	Inch-H <sub>2</sub> O	Pa	dB-A	g
sD5025V5L	B.S	5	3.5~5.5	0.24	1.20	4000	11.13	0.32	0.10	25.50	27.0	35.0
sD5025V5D	B.S	5	3.5~5.5	0.19	0.95	3000	7.50	0.21	0.06	14.81	23.0	35.0
sD5025V12H	B.S	12	7.0~13.8	0.22	2.64	6000	17.83	0.50	0.23	56.88	37.0	35.0
sD5025V12M	B.S	12	7.0~13.8	0.16	1.92	5000	14.43	0.41	0.16	40.31	31.0	35.0
sD5025V12L	B.S	12	7.0~13.8	0.12	1.44	4000	11.13	0.32	0.10	25.50	27.0	35.0
sD5025V12D	B.S	12	7.0~13.8	0.08	0.96	3000	7.50	0.21	0.06	14.81	23.0	35.0
sD5025V24H	B.S	24	14.0~27.6	0.17	4.08	6000	17.83	0.50	0.23	56.88	37.0	35.0
sD5025V24M	B.S	24	14.0~27.6	0.11	2.64	5000	14.43	0.41	0.16	40.31	31.0	35.0
sD5025V24L	B.S	24	14.0~27.6	0.09	2.16	4000	11.13	0.32	0.10	25.50	27.0	35.0

Specifications are subject to change without notice. Please visit our website at <http://www.sofasco.com> for update information

### Dimensions (Unit:mm)



### PQ Curve (At rated Voltage)

