

## 5020

## 50x50x20MM



### General Specifications

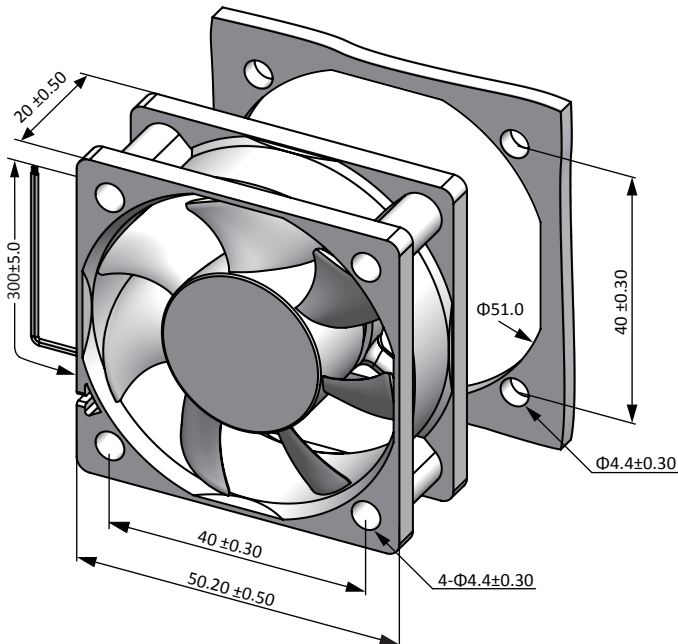
- ◆ Material..... Frame: Plastic (UL94V-0)  
Impeller: Plastic (UL94V-0)  
Lead Wire: UL1007AWG#26 or Equivalent (+) Red, (-) Black
- ◆ Expected Life..... Ball Bearing 70,000hrs (40°C)  
Sleeve Bearing 30,000hrs (40°C)
- ◆ Temperature Range.... Operating temperature -10°C~70°C (Non-condensing)  
Storage temperature -40°C~70°C (Non-condensing)
- ◆ Safety Standards..... UL, TUV, RoHS, CE
- ◆ DC Fan Specials..... RD, FG, PWM, IP56

### Specifications

| Model      | #Bearing Type | Rated Voltage | Operating Voltage | Input Current | Input Power | Speed | Max Air Flow |                     | Max Static Pressure   |       | Noise | Weight |
|------------|---------------|---------------|-------------------|---------------|-------------|-------|--------------|---------------------|-----------------------|-------|-------|--------|
| Part No.   | B.S           | VDC           | VDC               | Amp           | Watt        | RPM   | CFM          | m <sup>3</sup> /min | Inch-H <sub>2</sub> O | Pa    | dB-A  | g      |
| sD5020V5H  | B.S           | 5             | 3.5~5.5           | 0.42          | 2.10        | 5500  | 15.56        | 0.44                | 0.20                  | 49.62 | 31.0  | 32.0   |
| sD5020V5M  | B.S           | 5             | 3.5~5.5           | 0.28          | 1.40        | 5000  | 14.98        | 0.42                | 0.17                  | 42.86 | 29.0  | 32.0   |
| sD5020V5L  | B.S           | 5             | 3.5~5.5           | 0.20          | 1.00        | 4500  | 13.70        | 0.39                | 0.14                  | 34.91 | 26.0  | 32.0   |
| sD5020V12U | B.S           | 12            | 7.0~13.8          | 0.20          | 2.40        | 6500  | 19.44        | 0.55                | 0.29                  | 72.77 | 36.0  | 32.0   |
| sD5020V12H | B.S           | 12            | 7.0~13.8          | 0.18          | 2.16        | 6000  | 17.37        | 0.49                | 0.26                  | 63.74 | 33.0  | 32.0   |
| sD5020V12M | B.S           | 12            | 7.0~13.8          | 0.16          | 1.92        | 5500  | 15.56        | 0.44                | 0.20                  | 49.62 | 31.0  | 32.0   |
| sD5020V12L | B.S           | 12            | 7.0~13.8          | 0.14          | 1.68        | 5000  | 14.98        | 0.42                | 0.17                  | 42.86 | 29.0  | 32.0   |
| sD5020V12D | B.S           | 12            | 7.0~13.8          | 0.10          | 1.20        | 4500  | 13.70        | 0.39                | 0.14                  | 34.91 | 26.0  | 32.0   |
| sD5020V24U | B.S           | 24            | 14.0~27.6         | 0.14          | 3.36        | 6500  | 19.44        | 0.55                | 0.29                  | 72.77 | 36.0  | 32.0   |
| sD5020V24H | B.S           | 24            | 14.0~27.6         | 0.12          | 2.88        | 6000  | 17.37        | 0.49                | 0.26                  | 63.74 | 33.0  | 32.0   |
| sD5020V24M | B.S           | 24            | 14.0~27.6         | 0.10          | 2.40        | 5500  | 15.56        | 0.44                | 0.20                  | 49.62 | 31.0  | 32.0   |
| sD5020V24L | B.S           | 24            | 14.0~27.6         | 0.08          | 1.92        | 5000  | 14.98        | 0.42                | 0.17                  | 42.86 | 29.0  | 32.0   |
| sD5020V24D | B.S           | 24            | 14.0~27.6         | 0.06          | 1.44        | 4500  | 13.70        | 0.39                | 0.14                  | 34.91 | 26.0  | 32.0   |

Specifications are subject to change without notice. Please visit our website at <http://www.sofasco.com> for update information

### Dimensions (Unit:mm)



### PQ Curve (At rated Voltage)

