

5010

50x50x10MM



General Specifications

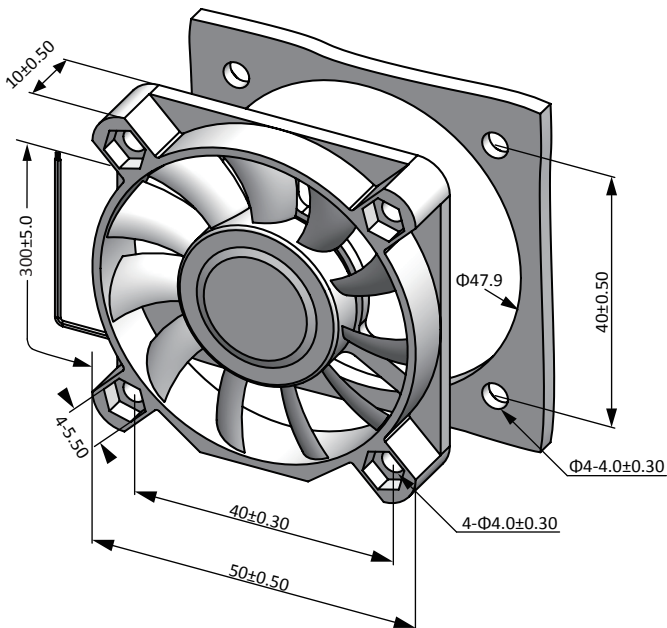
- ◆ Material..... Frame: Plastic (UL94V-0)
Impeller: Plastic (UL94V-0)
Lead Wire: UL1007AWG#26 or Equivalent (+) Red, (-) Black
- ◆ Expected Life..... Ball Bearing 70,000hrs (40°C)
Sleeve Bearing 30,000hrs (40°C)
- ◆ Temperature Range.... Operating temperature -10°C~70°C (Non-condensing)
Storage temperature -40°C~70°C (Non-condensing)
- ◆ Safety Standards..... UI, TUV, RoHS, CE
- ◆ DC Fan Specials..... RD, FG, IP56

Specifications

Model	#Bearing Type	Rated Voltage	Operating Voltage	Input Current	Input Power	Speed	Max Air Flow		Max Static Pressure		Noise	Weight
Part No.	B.S	VDC	VDC	Amp	Watt	RPM	CFM	m ³ /min	Inch-H ₂ O	Pa	dB-A	g
sD5010V5H	B.S	5	3.5~5.5	0.25	1.25	5500	10.83	0.31	0.13	33.15	34.0	20.0
sD5010V5M	B.S	5	3.5~5.5	0.21	1.05	5000	9.91	0.28	0.11	26.77	31.0	20.0
sD5010V5L	B.S	5	3.5~5.5	0.18	0.90	4500	9.26	0.26	0.10	23.93	28.0	20.0
sD5010V5D	B.S	5	3.5~5.5	0.15	0.75	4000	7.64	0.22	0.07	17.55	26.0	20.0
sD5010V12U	B.S	12	7.0~13.8	0.16	1.92	6000	12.02	0.34	0.16	39.32	37.0	20.0
sD5010V12H	B.S	12	7.0~13.8	0.14	1.68	5500	10.83	0.31	0.13	33.15	34.0	20.0
sD5010V12M	B.S	12	7.0~13.8	0.12	1.44	5000	9.91	0.28	0.11	26.77	31.0	20.0
sD5010V12L	B.S	12	7.0~13.8	0.10	1.20	4500	9.26	0.26	0.10	23.93	28.0	20.0
sD5010V12D	B.S	12	7.0~13.8	0.08	0.96	4000	7.64	0.22	0.07	17.55	26.0	20.0
sD5010V24U	B.S	24	14.0~27.6	0.12	2.88	6000	12.02	0.34	0.16	39.32	37.0	20.0
sD5010V24H	B.S	24	14.0~27.6	0.10	2.40	5500	10.83	0.31	0.13	33.15	34.0	20.0
sD5010V24M	B.S	24	14.0~27.6	0.08	1.92	5000	9.91	0.28	0.11	26.77	31.0	20.0
sD5010V24L	B.S	24	14.0~27.6	0.06	1.44	4500	9.26	0.26	0.10	23.93	28.0	20.0
sD5010V24D	B.S	24	14.0~27.6	0.04	0.96	4000	7.64	0.22	0.07	17.55	26.0	20.0

Specifications are subject to change without notice. Please visit our website at <http://www.sofasco.com> for update information

Dimensions (Unit:mm)



PQ Curve (At rated Voltage)

