

4020

40x40x20MM

General Specifications

- ◆ Material..... Frame: Plastic (UL94V-0)
Impeller: Plastic (UL94V-0)
Lead Wire: UL1007AWG#26 or Equivalent (+) Red, (-) Black
- ◆ Expected Life..... Ball Bearing 70,000hrs (40°C)
Sleeve Bearing 30,000hrs (40°C)
- ◆ Temperature Range.... Operating temperature -10°C~70°C (Non-condensing)
Storage temperature -40°C~70°C (Non-condensing)
- ◆ Safety Standards..... UL, TUV, RoHS, CE
- ◆ DC Fan Specials..... RD, FG, PWM, IP56

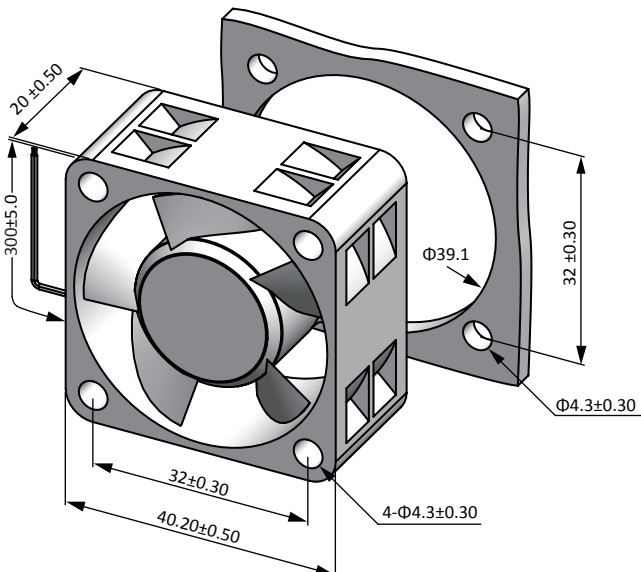


Specifications

| Model | #Bearing Type | Rated Voltage | Operating Voltage | Input Current | Input Power | Speed | Max Air Flow | | Max Static Pressure | | Noise | Weight |
|------------|---------------|---------------|-------------------|---------------|-------------|-------|--------------|---------------------|-----------------------|--------|-------|--------|
| Part No. | B.S | VDC | VDC | Amp | Watt | RPM | CFM | m ³ /min | Inch-H ₂ O | Pa | dB-A | g |
| sD4020V5H | B.S | 5 | 3.5~5.5 | 0.40 | 2.00 | 10000 | 10.79 | 0.31 | 0.43 | 106.40 | 38.0 | 24.0 |
| sD4020V5M | B.S | 5 | 3.5~5.5 | 0.25 | 1.25 | 8000 | 8.43 | 0.24 | 0.27 | 68.16 | 35.0 | 24.0 |
| sD4020V05L | B.S | 5 | 3.5~5.5 | 0.18 | 0.90 | 6000 | 6.47 | 0.18 | 0.16 | 39.72 | 27.0 | 24.0 |
| sD4020V05D | B.S | 5 | 3.5~5.5 | 0.10 | 0.50 | 4000 | 3.93 | 0.11 | 0.07 | 17.46 | 23.0 | 24.0 |
| sD4020V12H | B.S | 12 | 7.0~13.8 | 0.16 | 1.92 | 10000 | 10.79 | 0.31 | 0.43 | 106.40 | 38.0 | 24.0 |
| sD4020V12M | B.S | 12 | 7.0~13.8 | 0.13 | 1.56 | 8000 | 8.43 | 0.24 | 0.27 | 68.16 | 35.0 | 24.0 |
| sD4020V12L | B.S | 12 | 7.0~13.8 | 0.08 | 0.96 | 6000 | 6.47 | 0.18 | 0.16 | 39.72 | 27.0 | 24.0 |
| sD4020V12D | B.S | 12 | 7.0~13.8 | 0.05 | 0.60 | 4000 | 3.93 | 0.11 | 0.07 | 17.46 | 23.0 | 24.0 |
| sD4020V24H | B.S | 24 | 14.0~27.6 | 0.12 | 2.88 | 10000 | 10.79 | 0.31 | 0.43 | 106.40 | 38.0 | 24.0 |
| sD4020V24M | B.S | 24 | 14.0~27.6 | 0.08 | 1.92 | 8000 | 8.43 | 0.24 | 0.27 | 68.16 | 35.0 | 24.0 |
| sD4020V24L | B.S | 24 | 14.0~27.6 | 0.05 | 1.20 | 6000 | 6.47 | 0.18 | 0.16 | 39.72 | 27.0 | 24.0 |

Specifications are subject to change without notice. Please visit our website at <http://www.sofasco.com> for update information

Dimensions (Unit:mm)



PQ Curve (At rated Voltage)

