

3510

35x35x10MM

General Specifications

- ◆ Material..... Frame: Plastic (UL94V-0)
Impeller: Plastic (UL94V-0)
Lead Wire: UL1571AWG#28 or Equivalent (+) Red, (-) Black
- ◆ Expected Life..... Ball Bearing 70,000hrs (40°C)
Sleeve Bearing 30,000hrs (40°C)
- ◆ Temperature Range.... Operating temperature -10°C~70°C (Non-condensing)
Storage temperature -40°C~70°C (Non-condensing)
- ◆ Safety Standards..... UI, TUV, RoHS, CE
- ◆ DC Fan Specials..... RD, FG, IP54

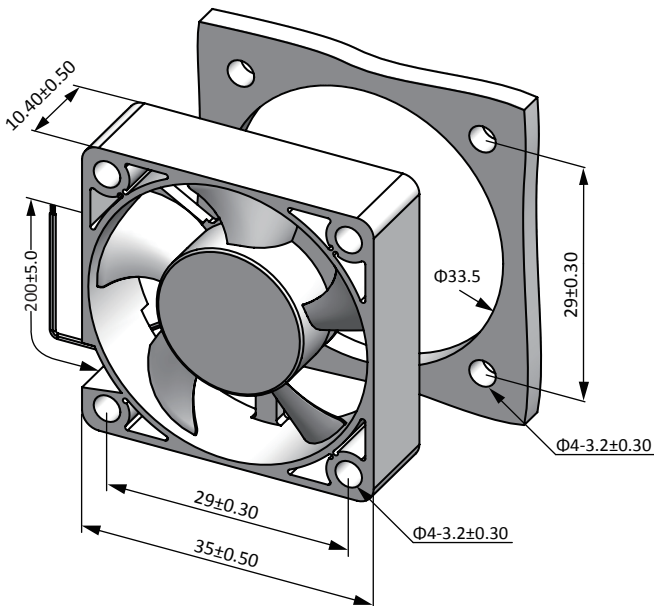


Specifications

Model	#Bearing Type	Rated Voltage	Operating Voltage	Input Current	Input Power	Speed	Max Air Flow		Max Static Pressure		Noise	Weight
Part No.	B.S	VDC	VDC	Amp	Watt	RPM	CFM	m ³ /min	Inch-H ₂ O	Pa	dB-A	g
sD3510V5M	B.S	5	3.5~5.5	0.25	1.25	8000	6.51	0.18	0.16	39.42	29.0	10.0
sD3510V5L	B.S	5	3.5~5.5	0.18	0.90	6000	4.88	0.14	0.10	24.61	26.0	10.0
sD3510V5D	B.S	5	3.5~5.5	0.12	0.60	4000	3.15	0.09	0.04	11.18	22.0	10.0
sD3510V12H	B.S	12	7.0~13.8	0.18	2.16	10000	7.48	0.21	0.22	54.23	32.0	10.0
sD3510V12M	B.S	12	7.0~13.8	0.14	1.68	8000	6.51	0.18	0.16	39.42	29.0	10.0
sD3510V12L	B.S	12	7.0~13.8	0.10	1.20	6000	4.88	0.14	0.10	24.61	26.0	10.0

Specifications are subject to change without notice. Please visit our website at <http://www.sofaco.com> for update info.

Dimensions (Unit:mm)



PQ Curve (At rated Voltage)

