

## 3010(SR) 30x30x10MM



### General Specifications

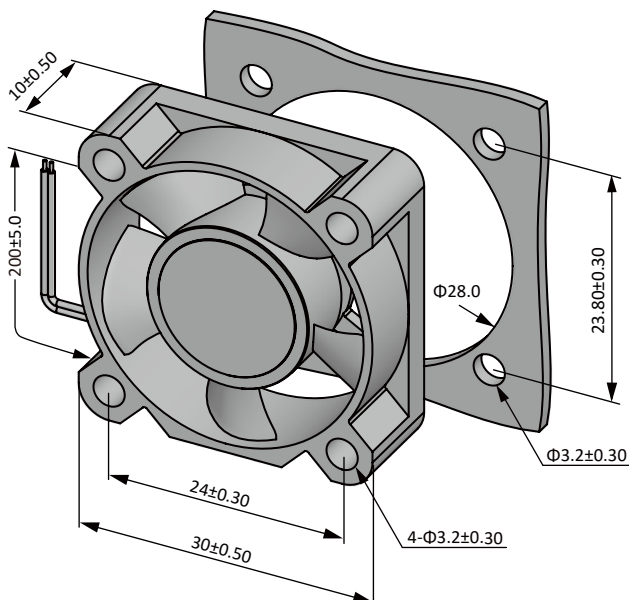
- ◆ Material..... Frame: Plastic (UL94V-0)  
Impeller: Plastic (UL94V-0)  
Lead Wire: UL1571AWG#28 or Equivalent (+) Red, (-) Black
- ◆ Expected Life..... Ball Bearing 70,000hrs (40°C)  
Sleeve Bearing 30,000hrs (40°C)
- ◆ Temperature Range.... Operating temperature -10°C~70°C (Non-condensing)  
Storage temperature -40°C~70°C (Non-condensing)
- ◆ Safety Standards..... UL, TUV, RoHS, CE
- ◆ DC Fan Specials..... RD, FG, IP54

### Specifications

Model	#Bearing Type	Rated Voltage	Operating Voltage	Input Current	Input Power	Speed	Max Air Flow		Max Static Pressure		Noise	Weight
Part No.	B.S	VDC	VDC	Amp	Watt	RPM	CFM	m <sup>3</sup> /min	Inch-H <sub>2</sub> O	Pa	dB-A	g
sD3010(SR) V5U	B.S	5	3.5~5.5	0.28	1.40	12000	4.15	0.12	0.25	61.10	34.0	8.0
sD3010(SR)V5H	B.S	5	3.5~5.5	0.20	1.00	10000	3.38	0.10	0.17	41.58	29.0	8.0
sD3010(SR)V5M	B.S	5	3.5~5.5	0.15	0.75	8000	2.49	0.07	0.13	31.68	24.0	8.0
sD3010(SR)V5L	B.S	5	3.5~5.5	0.10	0.50	6000	2.01	0.06	0.07	16.87	21.0	8.0
sD3010(SR)V12U	B.S	12	7.0~13.8	0.12	1.44	12000	4.15	0.12	0.25	61.10	34.0	8.0
sD3010(SR)V12H	B.S	12	7.0~13.8	0.10	1.20	10000	3.38	0.10	0.17	41.58	29.0	8.0
sD3010(SR)V12M	B.S	12	7.0~13.8	0.08	0.96	8000	2.49	0.07	0.13	31.68	24.0	8.0
sD3010(SR)V12L	B.S	12	7.0~13.8	0.05	0.60	6000	2.01	0.06	0.07	16.87	21.0	8.0

Specifications are subject to change without notice. Please visit our website at <http://www.sofasco.com> for update info.

### Dimensions (Unit:mm)



### PQ Curve (At rated Voltage)

