

3007

30x30x7MM

General Specifications

- ◆ Material..... Frame: Plastic (UL94V-0)
Impeller: Plastic (UL94V-0)
Lead Wire: UL1571AWG#28 or Equivalent (+) Red, (-) Black
- ◆ Expected Life..... Sleeve Bearing 30,000hrs (40°C)
- ◆ Temperature Range.... Operating temperature -10°C~70°C (Non-condensing)
Storage temperature -40°C~70°C (Non-condensing)
- ◆ Safety Standards..... UL, TUV, RoHS, CE
- ◆ DC Fan Specials..... RD, FG, IP54

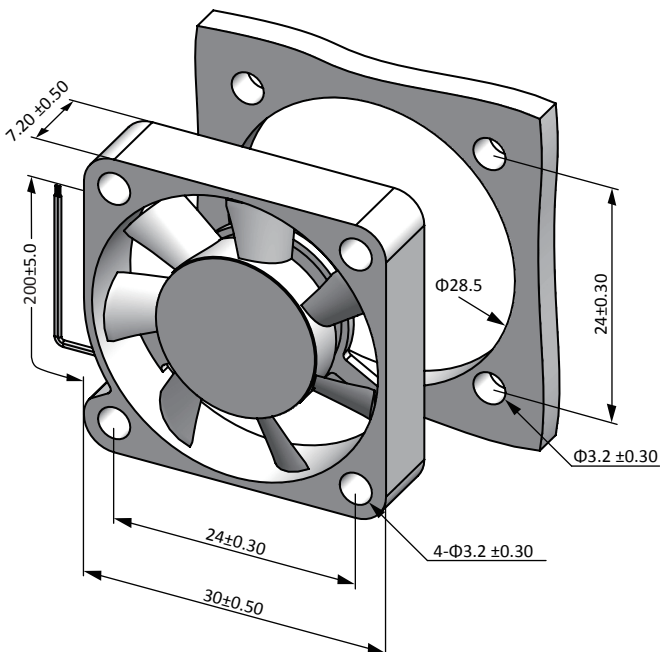


Specifications

Model	#Bearing Type	Rated Voltage	Operating Voltage	Input Current	Input Power	Speed	Max Air Flow		Max Static Pressure		Noise	Weight
Part No.	B.S	VDC	VDC	Amp	Watt	RPM	CFM	m ³ /min	Inch-H ₂ O	Pa	dB-A	g
sD3007V5U	S	5	3.5~5.5	0.22	1.10	12000	4.07	0.12	0.20	48.94	35.0	6.0
sD3007V5H	S	5	3.5~5.5	0.18	0.90	10000	3.34	0.09	0.14	35.60	31.0	6.0
sD3007V5M	S	5	3.5~5.5	0.14	0.70	8000	2.48	0.07	0.10	23.93	26.0	6.0
sD3007V5L	S	5	3.5~5.5	0.10	0.50	6000	1.57	0.04	0.05	11.67	22.0	6.0
sD3007V12U	S	12	7.0~13.8	0.12	1.44	12000	4.07	0.12	0.20	48.94	35.0	6.0
sD3007V12H	S	12	7.0~13.8	0.09	1.08	10000	3.34	0.09	0.14	35.60	31.0	6.0
sD3007V12M	S	12	7.0~13.8	0.07	0.84	8000	2.48	0.07	0.10	23.93	26.0	6.0
sD3007V12M	S	12	7.0~13.8	0.05	0.60	6000	1.57	0.04	0.05	11.67	22.0	6.0

Specifications are subject to change without notice. Please visit our website at <http://www.sofaco.com> for update info.

Dimensions (Unit:mm)



PQ Curve (At rated Voltage)

