

25489

254x254x89MM

General Specifications

- ◆ Material..... Frame: Plastic (UL94V-0)
Impeller: Plastic (UL94V-0)
Lead Wire: UL1007AWG#22 or Equivalent (+) Red, (-) Black
- ◆ Expected Life..... Ball Bearing 50,000hrs (40°C)
- ◆ Temperature Range.... Operating temperature -10°C~70°C (Non-condensing)
Storage temperature -40°C~70°C (Non-condensing)
- ◆ Safety Standards..... UL, TUV, RoHS, CE
- ◆ DC Fan Specials..... RD, FG, PWM, Temperature control, IP56

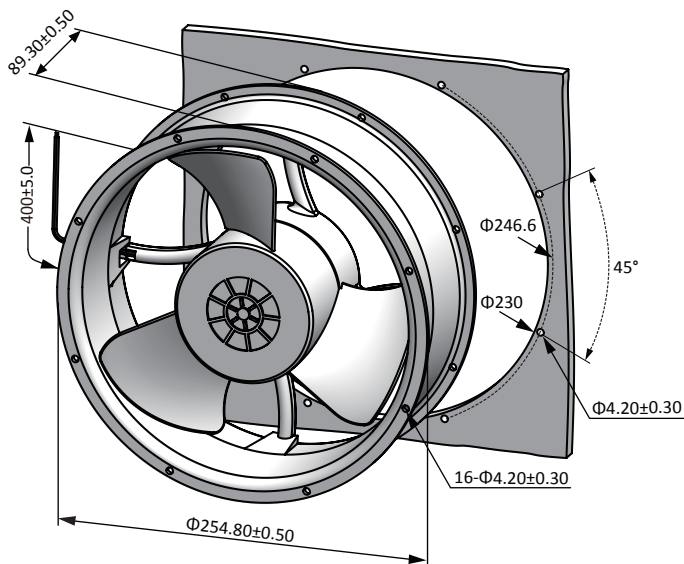


Specifications

Model	#Bearing Type	Rated Voltage	Operating Voltage	Input Current	Input Power	Speed	Max Air Flow		Max Static Pressure		Noise	Weight
Part No.	B.S	VDC	VDC	Amp	Watt	RPM	CFM	m ³ /min	Inch-H ₂ O	Pa	dB-A	g
sD25489V24H	B	24	14.0~27.6	3.50	84.00	2600	890.00	25.21	1.01	251.58	68.0	2140.0
sD25489V24M	B	24	14.0~27.6	2.20	52.80	2100	718.85	20.36	0.82	204.25	55.0	2140.0
sD25489V24L	B	24	14.0~27.6	1.50	36.00	1600	547.69	15.51	0.62	154.44	42.0	2140.0
sD25489V48H	B	48	28.0~56.0	2.00	96.00	2600	890.00	25.21	1.01	251.58	68.0	2140.0
sD25489V48M	B	48	28.0~56.0	1.20	57.60	2100	718.85	20.36	0.82	204.25	55.0	2140.0
sD25489V48L	B	48	28.0~56.0	0.80	38.40	1600	547.69	15.51	0.62	154.44	42.0	2140.0

Specifications are subject to change without notice. Please visit our website at <http://www.sofasco.com> for update information

Dimensions (Unit:mm)



PQ Curve (At rated Voltage)

