

2510

25x25x10MM

General Specifications

- ◆ Material..... Frame: Plastic (UL94V-0)
Impeller: Plastic (UL94V-0)
Lead Wire: UL1571AWG#28 or Equivalent (+) Red, (-) Black
- ◆ Expected Life..... Ball Bearing 70,000hrs (40°C)
Sleeve Bearing 30,000hrs (40°C)
- ◆ Temperature Range.... Operating temperature -10°C~70°C (Non-condensing)
Storage temperature -40°C~70°C (Non-condensing)
- ◆ Safety Standards..... UI, TUV, RoHS, CE
- ◆ DC Fan Specials..... RD, FG, IP54

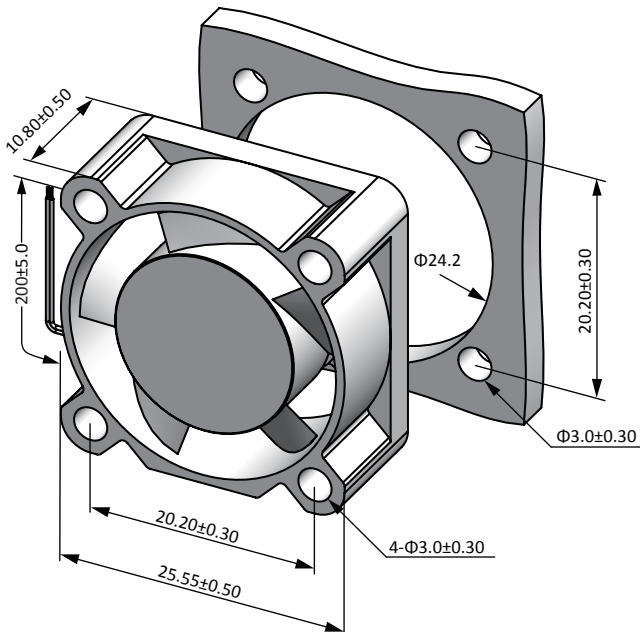


Specifications

Model	#Bearing Type	Rated Voltage	Operating Voltage	Input Current	Input Power	Speed	Max Air Flow		Max Static Pressure		Noise	Weight
Part No.	B.S	VDC	VDC	Amp	Watt	RPM	CFM	m ³ /min	Inch-H ₂ O	Pa	dB-A	g
sD2510V5U	B.S	5	3.5~5.5	0.20	1.00	12000	2.24	0.06	0.21	51.39	27.0	6.0
sD2510V5H	B.S	5	3.5~5.5	0.18	0.90	10000	1.91	0.05	0.16	39.42	25.0	6.0
sD2510V5 M	B.S	5	3.5~5.5	0.14	0.70	8000	1.46	0.04	0.09	22.65	22.0	6.0
sD2510V5L	B.S	5	3.5~5.5	0.10	0.50	6000	1.00	0.03	0.05	13.44	18.0	6.0
sD2510V12U	B.S	12	7.0~13.8	0.10	1.20	12000	2.24	0.06	0.21	51.39	27.0	6.0
sD2510V12H	B.S	12	7.0~13.8	0.08	0.96	10000	1.91	0.05	0.16	39.42	25.0	6.0
sD2510V12M	B.S	12	7.0~13.8	0.06	0.72	8000	1.46	0.04	0.09	22.65	22.0	6.0
sD2510V12L	B.S	12	7.0~13.8	0.04	0.48	6000	1.00	0.03	0.05	13.44	18.0	6.0

Specifications are subject to change without notice. Please visit our website at <http://www.sofasco.com>

Dimensions (Unit:mm)



PQ Curve (At rated Voltage)

