

25094

Ø250mm X 94MM

General Specifications

MATERIAL	Impeller - Plastic
MOTOR TYPE	AC Induction Capacitor Motor (3 Phase)
BEARING TYPE	Ball Type
TEMPERATURE RANGE	Operating temperature -20°C ~ 70°C
CONNECTION	Lead Wires
DIELECTRIC STRENGTH	1800 VAC for 1 Sec.
INSULATION RESISTANCE	10M Ω min. @500 VDC
TYPE OF INSULATION	Class F
INGRESS PROTECTION	IP54
SAFETY	Thermally Protection (Auto Restart)
RoHS COMPLIANCE	YES
WEIGHT	2.09 kg

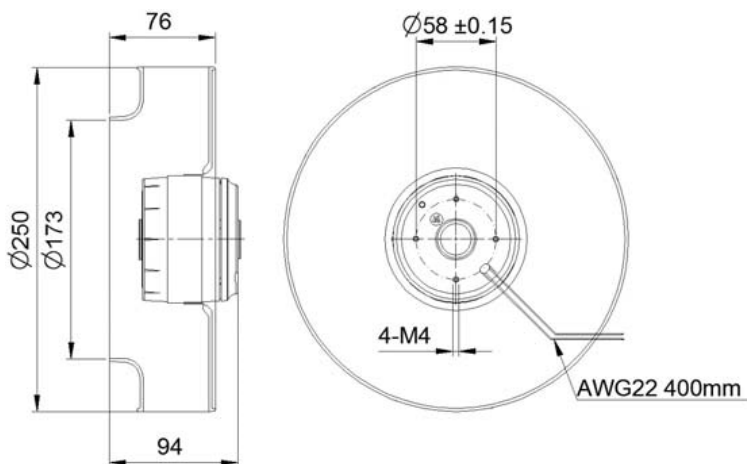


Specifications

Model	#Bearing Type	Rated Voltage	Frequency	Input Current	Input Power	Speed	Max Air Flow		Max Static Pressure		Noise	Weight
Part No.	B	VAC	Hz	Amp	Watt	RPM	CFM	m³/min	Inch-H2O	mmH2O	dB-A	g
sACF25094V1HBL-3P	B	115	50/60	0.90/1.23	103/142	2600/2700	619/648	17.53/18.35	2.24/2.72	57/69	76/78	2090
sACF25094V2HBL-3P	B	230	50/60	0.48/0.66	106/148	2600/2700	619/648	17.53/18.35	2.24/2.72	57/69	76/78	2090
sACF25094V3HBL-3P	B	380	50/60	0.30/0.42	113/156	2600/2800	619/648	17.53/18.35	2.24/2.72	57/69	76/78	2090
sACF25094V4HBL-3P	B	440	50/60	0.28/0.36	120/160	2600/2800	619/648	17.53/18.35	2.24/2.72	57/69	76/78	2090

Specifications are subject to change without notice. Please visit our website at <http://www.sofasco.com> for update information

Dimensions (Unit:mm)



PQ Curve (At rated Voltage)

