

22599

Ø225mm X 99MM

General Specifications

MATERIAL	Impeller - Plastic
MOTOR TYPE	AC Induction Capacitor Motor
BEARING TYPE	Ball Type
TEMPERATURE RANGE	Operating temperature -20°C ~ 70°C
CONNECTION	Lead Wires
DIELECTRIC STRENGTH	1800 VAC for 1 Sec.
INSULATION RESISTANCE	10M Ω min. @500 VDC
TYPE OF INSULATION	Class F
INGRESS PROTECTION	IP54
SAFETY	Thermally Protection (Auto Restart)
RoHS COMPLIANCE	YES
WEIGHT	1.985 kg

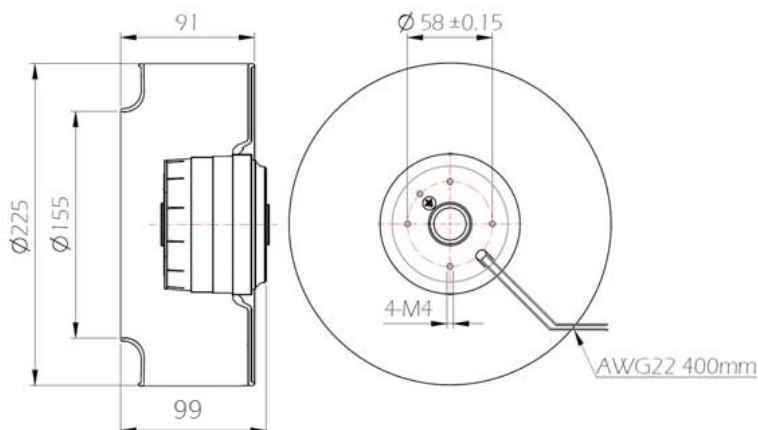


Specifications

Model	#Bearing Type	Rated Voltage	Frequency	Input Current	Input Power	Speed	Max Air Flow		Max Static Pressure		Noise	Weight
Part No.	B	VAC	Hz	Amp	Watt	RPM	CFM	m³/min	Inch-H2O	mmH2O	dB-A	g
sACF22599V1HBL	B	115	50/60	0.93/1.30	109/145	2500/2500	636/635	18.0/17.9	2.05/2.52	52/64	70/72	1985
sACF22599V1MBL	B	115	50/60	0.39/0.39	40/45	1400/1600	347/405	9.82/11.5	0.55/0.78	14/20	59/61	1985
sACF22599V2HBL	B	230	50/60	0.49/0.67	109/145	2500/2500	636/635	18.0/17.9	2.05/2.52	52/64	70/72	1985
sACF22599V2MBL	B	230	50/60	0.58/0.84	135/195	2650/2950	700/750	19.8/21.2	2.16/2.91	55/74	73/75	1985
sACF22599V2LBL	B	230	50/60	0.18/0.22	40/50	1400/1600	347/405	9.82/11.5	0.55/0.78	14/20	59/61	1985
sACF22599V3HBL	B	380	50/60	0.32/0.43	120/160	2500/2600	605/625	17.1/17.7	1.89/2.44	48/62	70/72	1985
sACF22599V4HBL	B	440	50/60	0.30/0.40	130/170	2500/2600	610/635	17.3/17.9	1.93/2.48	49/63	70/72	1985

Specifications are subject to change without notice. Please visit our website at <http://www.sofasco.com> for update information

Dimensions (Unit:mm)



PQ Curve (At rated Voltage)

