

## 22076 Ø220mm X 76MM

### General Specifications

MATERIAL	Impeller - Plastic
MOTOR TYPE	AC Induction Capacitor Motor
BEARING TYPE	Ball Type
TEMPERATURE RANGE	Operating temperature -20°C ~ 70°C
CONNECTION	Lead Wires
DIELECTRIC STRENGTH	1800 VAC for 1 Sec.
INSULATION RESISTANCE	10M Ω min. @500 VDC
TYPE OF INSULATION	Class F
INGRESS PROTECTION	IP54
SAFETY	Thermally Protection (Auto Restart)
RoHS COMPLIANCE	YES
WEIGHT	1.98 kg

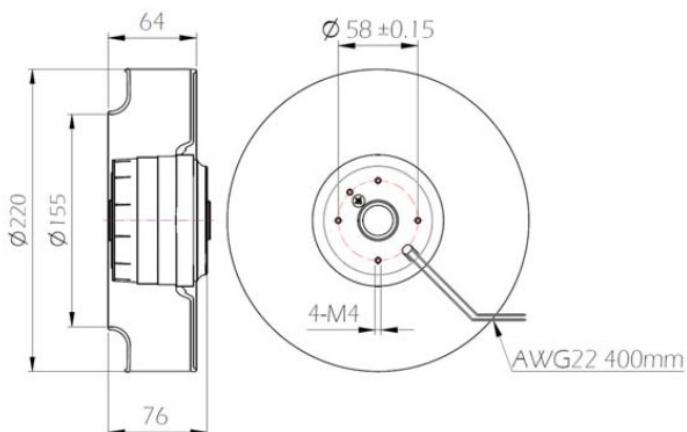


### Specifications

Model	#Bearing Type	Rated Voltage	Frequency	Input Current	Input Power	Speed	Max Air Flow		Max Static Pressure		Noise	Weight
Part No.	B	VAC	Hz	Amp	Watt	RPM	CFM	m <sup>3</sup> /min	Inch-H <sub>2</sub> O	mmH <sub>2</sub> O	dB-A	g
sACF22076V1HBL	B	115	50/60	0.70/1.00	82/115	2650/2950	269/304	13.9/15.6	1.58/2.17	40/55	75/78	1980
sACF22076V2HBL	B	230	50/60	0.35/0.50	82/115	2650/2950	269/304	13.9/15.6	1.58/2.17	40/55	75/78	1980
sACF22076V3HBL	B	380	50/60	0.22/0.30	84/115	2650/2950	269/304	13.9/15.6	1.58/2.17	40/55	75/78	1980
sACF22076V4HBL	B	440	50/60	0.19/0.26	85/115	2650/2950	269/304	13.9/15.6	1.58/2.17	40/55	75/78	1980

Specifications are subject to change without notice. Please visit our website at <http://www.sofasco.com> for update information

### Dimensions (Unit:mm)



### PQ Curve (At rated Voltage)

