

## 17065 Ø170mm X 65MM

### General Specifications

<b>MATERIAL</b>	Impeller - Plastic
<b>MOTOR TYPE</b>	AC Induction Capacitor Motor
<b>BEARING TYPE</b>	Ball Type
<b>TEMPERATURE RANGE</b>	Operating temperature -20°C ~ 70°C
<b>CONNECTION</b>	Lead Wires
<b>DIELECTRIC STRENGTH</b>	1800 VAC for 1 Sec.
<b>INSULATION RESISTANCE</b>	10M Ω min. @500 VDC
<b>TYPE OF INSULATION</b>	Class F
<b>INGRESS PROTECTION</b>	IP54
<b>SAFETY</b>	Thermally Protection (Auto Restart)
<b>RoHS COMPLIANCE</b>	YES
<b>WEIGHT</b>	900 g

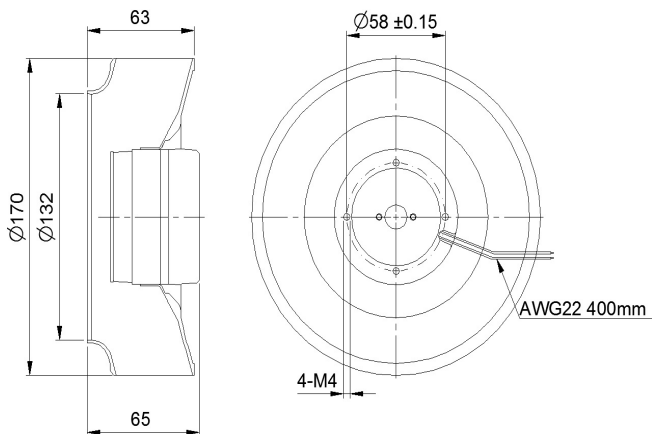


### Specifications

Model	#Bearing Type	Rated Voltage	Frequency	Input Current	Input Power	Speed	Max Air Flow		Max Static Pressure		Noise	Weight
Part No.	B	VAC	Hz	Amp	Watt	RPM	CFM	m <sup>3</sup> /min	Inch-H <sub>2</sub> O	mmH <sub>2</sub> O	dB-A	g
sACF17065V1HBL	B	115	50/60	0.26/0.27	27/31	2750/3100	243/276	6.88/7.82	0.91/1.18	23/30	67/69	800
sACF17065V2HBL	B	230	50/60	0.10/0.13	24/30	2750/3100	243/276	6.88/7.82	0.91/1.18	23/30	67/69	800
sACF17065V3HBL	B	380	50/60	0.08/0.09	30/34	2750/3100	243/276	6.88/7.82	0.91/1.18	23/30	67/69	800

Specifications are subject to change without notice. Please visit our website at <http://www.sofasco.com> for update information

### Dimensions (Unit:mm)



### PQ Curve (At rated Voltage)

