

13380 Ø133mm X 80MM

General Specifications

MATERIAL	Impeller - Plastic
MOTOR TYPE	AC Induction Capacitor Motor
BEARING TYPE	Ball Type
TEMPERATURE RANGE	Operating temperature -20°C ~ 70°C
CONNECTION	Lead Wires
DIELECTRIC STRENGTH	1800 VAC for 1 Sec.
INSULATION RESISTANCE	10M Ω min. @500 VDC
TYPE OF INSULATION	Class F
INGRESS PROTECTION	IP54
SAFETY	Thermally Protection (Auto Restart)
RoHS COMPLIANCE	YES
WEIGHT	800 g

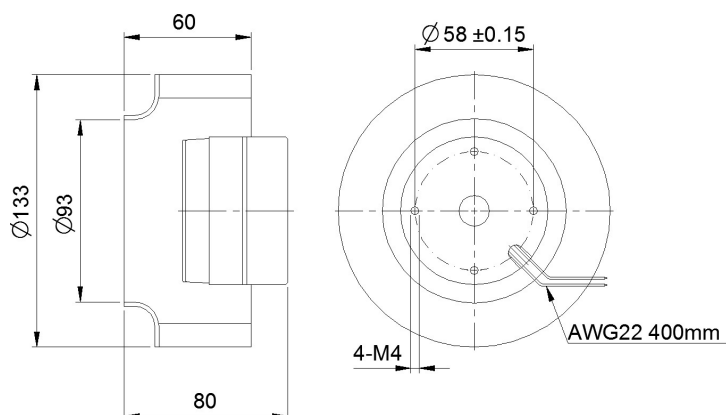


Specifications

Model	#Bearing Type	Rated Voltage	Frequency	Input Current	Input Power	Speed	Max Air Flow		Max Static Pressure		Noise	Weight
Part No.	B	VAC	Hz	Amp	Watt	RPM	CFM	m ³ /min	Inch-H ₂ O	mmH ₂ O	dB-A	g
sACF13380V1HBL	B	115	50/60	0.26/0.24	26/28	2800/3200	155/165	4.10/4.67	0.59/0.83	15/21	62/65	800
sACF13380V2HBL	B	230	50/60	0.10/0.12	23/27	2800/3200	155/165	4.10/4.67	0.59/0.83	15/21	62/65	800

Specifications are subject to change without notice. Please visit our website at <http://www.sofasco.com> for update information

Dimensions (Unit:mm)



PQ Curve (At rated Voltage)

