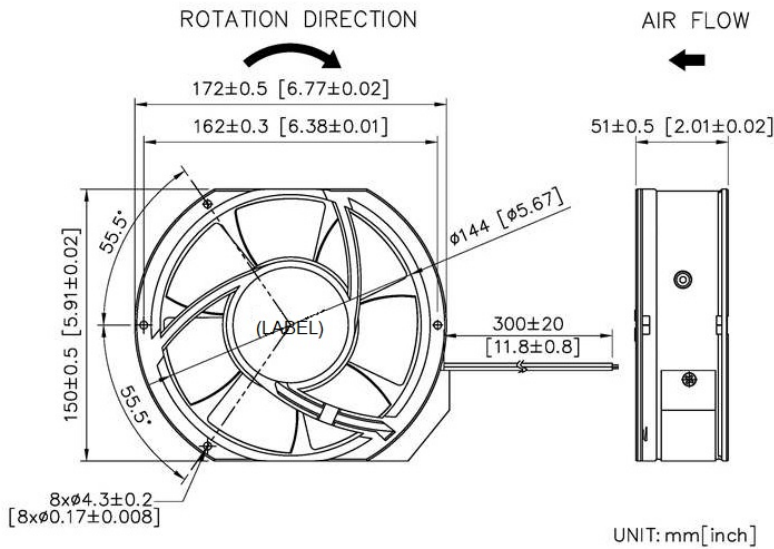


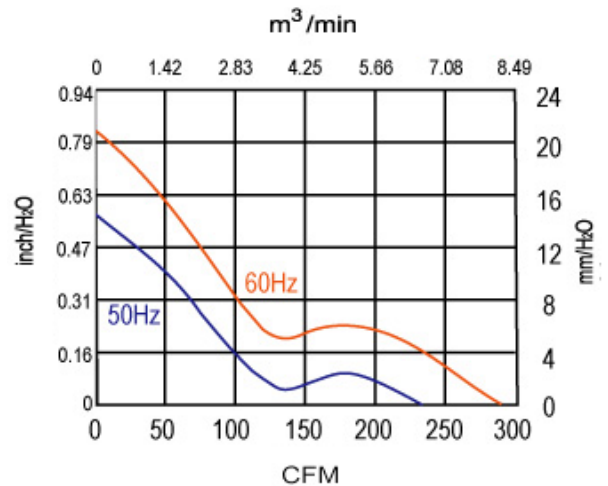
(SUPER HIGH)



INFORMATION

MOTOR:	Capacitor motor, impedance protected
HOUSING:	Die-cast aluminum, Painted black (AP) or plated (AN)
IMPELLER:	Glass reinforced thermoplastic, UL 94V-0
BEARING:	Two-ball
TERMINATION:	T-Terminal type or W-Lead wire type
OPERATING TEMPERATURE:	Ball type -20°C~+80°C
OPERATING VOLTAGE RANGE :	103 VAC to 126 VAC for 115V Type 207 VAS to 253 VAC for 230V Type
DIELECTRIC STRENGTH:	1 min. at 1,500VAC, 50/60Hz
INSULATION RESISTANCE:	10M Ω min. @500 VDC
LIFE EXPECTANCY:	Ball bearing 60,000 hours at 60°C;
WEIGHT:	950 gm

sA17251 (SUPER HIGHT)



SPECIFICATION

MODEL NO.	RATED VAC	FREQ. (Hz)	SPEED (RPM)	RATED CURRENT (A)	INPUT POWER (W)	Max. Air Flow		Max. Static Pressure		Noise Level (dB)
						m ³ /min	CFM	mm-H ₂ O	inch-H ₂ O	
sA17251V1H	115	50/60	2750/3200	0.28/0.29	32/33	6.5/7.9	230/280	14.5/21	0.57/0.82	54/59
sA17251V2H	230	50/60	2750/3200	0.15/0.16	32/33	6.5/7.9	230/280	14.5/21	0.57/0.82	54/59