

## 280mm BACKWARD CURVED CENTRIFUGAL FANS WITH SUPPORT BRACKET

### INFORMATION

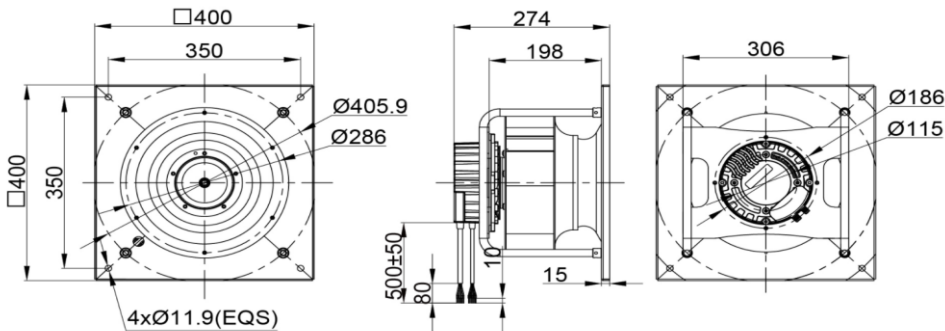
IMPELLER:	Aluminium sheet
BLADE NO.:	8 BLADES
BEARING:	NMB BALL BEARING
LEAD WIRES	AC (AWG18#), DC (AWG24#)
INSULATION :	CLASS F
OPERATING TEMPERATURE:	-25°C to 60°C
SPEED CONTROL	CONTROL INPUT 0~10VDC / PWM
LIFE EXPECTANCE	50,000 Hours at At 40°C
SIGNAL OUTPUT	FG (Frequency Generator)
RoHS COMPLIANCE	Yes.
IP LEVEL	IP55 (Special IP Rating On Request)



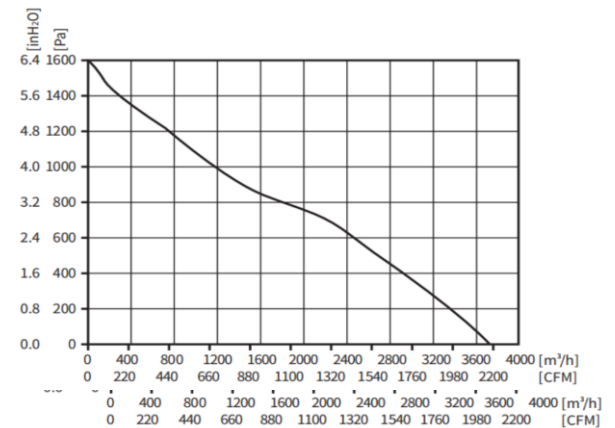
### SPECIFICATION

MODEL NO.	RATED VAC	OPERATED VOLTAGE (VAC)	SPEED (RPM)	RATED CURRENT (A)	INPUT POWER (W)	Max. M <sup>3</sup> /H	Air Flow CFM	Max. Static inch-H2O	Pressure P A	Noise Level dB(A)
<b>ECFK400274V2HB-PB</b>	<b>230</b>	<b>184~270</b>	<b>3300</b>	<b>3.10</b>	<b>700</b>	<b>3720</b>	<b>2189.22</b>	<b>6.40</b>	<b>1600</b>	<b>85</b>

### DRAWING:



### PQ CURVE:



Specifications are subject to change without notice. Please visit our website at <http://www.sofasco.com> for update information.