

225mm BACKWARD CURVED CENTRIFUGAL FANS WITH SUPPORT BRACKET

INFORMATION

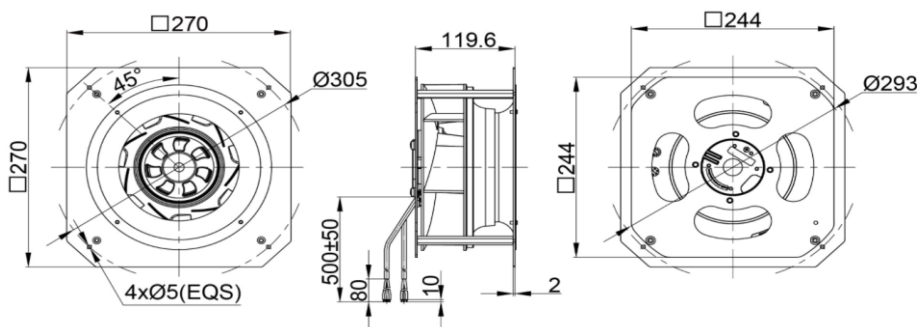
| | |
|------------------------|-------------------------------------|
| IMPELLER: | PA66+GF |
| BLADE NO.: | 7 BLADES |
| BEARING: | NMB BALL BEARING |
| LEAD WIRES | AC (AWG20 #) , DC (AWG24 #) |
| INSULATION : | CLASS B |
| OPERATING TEMPERATURE: | -25°C to 60°C |
| SPEED CONTROL | CONTROL INPUT 0~10VDC / PWM |
| LIFE EXPECTANCE | 50,000 Hours at At 40°C |
| SIGNAL OUTPUT | FG (Frequency Generator) |
| RoHS COMPLIANCE | Yes. |
| IP LEVEL | IP55 (Special IP Rating On Request) |



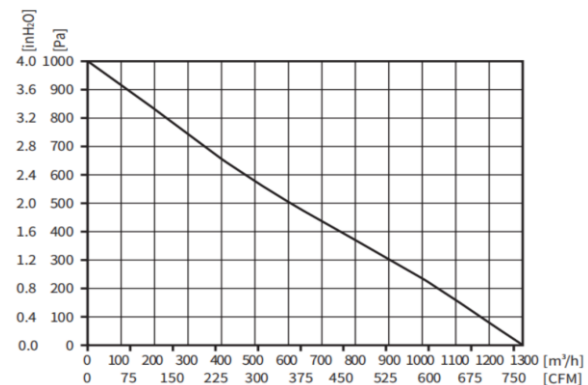
SPECIFICATION

| MODEL NO. | RATED VAC | OPERATED VOLTAGE (VAC) | SPEED (RPM) | RATED CURRENT (A) | INPUT POWER (W) | Max. M ³ /H | Air Flow CFM | Max. Static inch-H2O | Pressure PA | Noise Level dB(A) |
|-------------------|-----------|------------------------|-------------|-------------------|-----------------|------------------------|--------------|----------------------|-------------|-------------------|
| ECFK270119V2MB-PB | 230 | 184~270 | 3200 | 1.2 | 170 | 1300 | 765.05 | 4.00 | 1000 | 71 |

DRAWING:



PQ CURVE:



Specifications are subject to change without notice. Please visit our website at <http://www.sofasco.com> for update information.