

## 225mm BACKWARD CURVED CENTRIFUGAL FANS WITH SUPPORT BRACKET

### INFORMATION

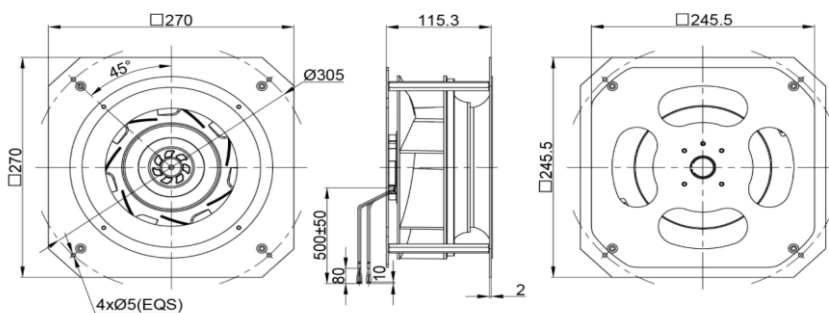
IMPELLER:	PA66+GF
BLADE NO. :	7 BLADES
BEARING:	NMB BALL BEARING
LEAD WIRES	AC (AWG20 #) , DC (AWG24 #)
INSULATION :	CLASS B
OPERATING TEMPERATURE:	-25°C to 60°C
SPEED CONTROL	CONTROL INPUT 0~10VDC / PWM
LIFE EXPECTANCE	50,000 Hours at At 40°C
SIGNAL OUTPUT	FG (Frequency Generator)
RoHS COMPLIANCE	Yes.
IP LEVEL	IP55 (Special IP Rating On Request)



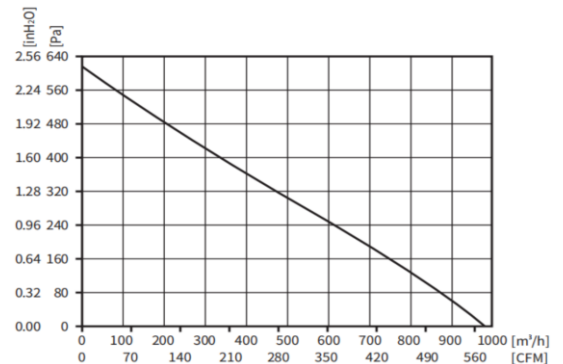
### SPECIFICATION

MODEL NO.	RATED (VAC)	OPERATED VOLTAGE (VAC)	SPEED (RPM)	RATED CURRENT (A)	INPUT POWER (W)	Max. M <sup>3</sup> /H	Air Flow CFM	Max. Static inch-H2O	Pressure PA	Noise Level dB(A)
<b>ECFK270115V2LB-PB</b>	<b>230</b>	<b>184~270</b>	<b>2300</b>	<b>0.6</b>	<b>85</b>	<b>975</b>	<b>573.79</b>	<b>2.48</b>	<b>620</b>	<b>65</b>

### DIMENSION:



### PQ CURVE:



Specifications are subject to change without notice. Please visit our website at <http://www.sofasco.com> for update information.