

220mm BACKWARD CURVED CENTRIFUGAL FANS WITH SUPPORT BRACKET

INFORMATION

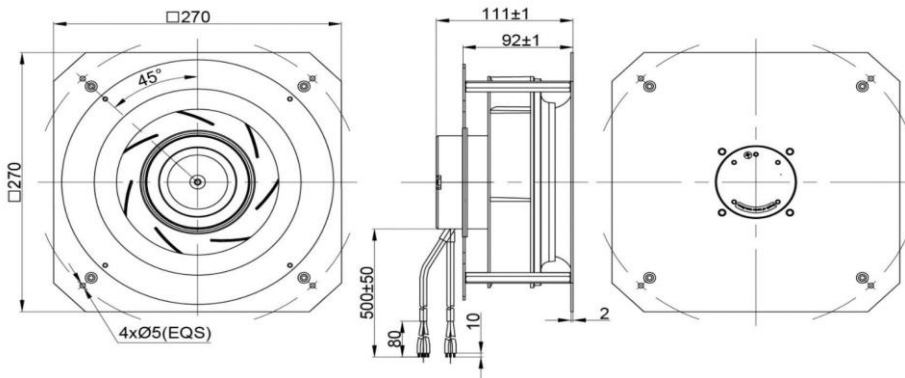
| | |
|------------------------|-------------------------------------|
| IMPELLER: | PA6+GF |
| BLADE NO.: | 11 BLADES |
| BEARING: | NMB BALL BEARING |
| LEAD WIRES | AC(AWG20#), DC(AWG22#) |
| INSULATION : | CLASS B |
| OPERATING TEMPERATURE: | -25°C to 60°C |
| SPEED CONTROL | CONTROL INPUT 0~10VDC / PWM |
| LIFE EXPECTANCE | 50,000 Hours at At 40°C |
| SIGNAL OUTPUT | FG (Frequency Generator) |
| RoHS COMPLIANCE | Yes. |
| IP LEVEL | IP44 (Special IP Rating On Request) |



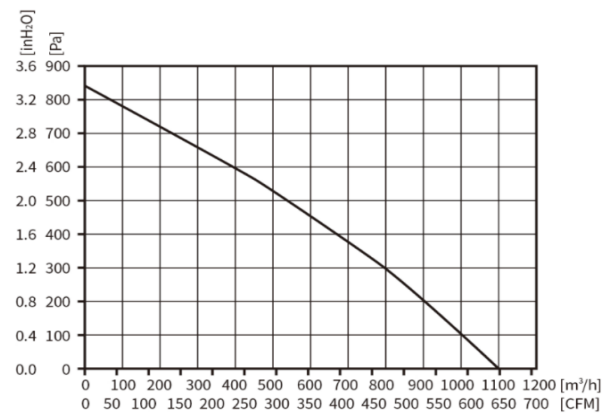
SPECIFICATION

| MODEL NO. | RATED VAC | OPERATED VOLTAGE (VAC) | SPEED (RPM) | RATED CURRENT (A) | INPUT POWER (W) | Max. M ³ /H | Air Flow CFM | Max. Static inch-H2O | Pressure PA | Noise Level dB(A) |
|--------------------------|------------|------------------------|-------------|-------------------|-----------------|------------------------|---------------|----------------------|-------------|-------------------|
| ECFK270110V2HB-PB | 230 | 184~270 | 3600 | 1.18 | 170 | 1100 | 647.35 | 3.36 | 840 | 76 |

DRAWING:



PQ CURVE:



Specifications are subject to change without notice. Please visit our website at <http://www.sofasco.com> for update information.