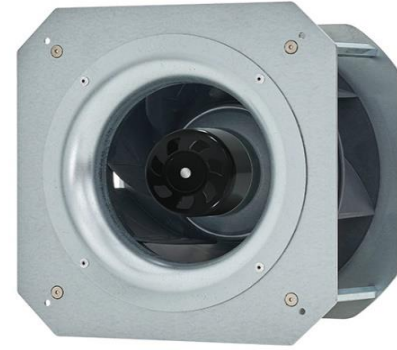


190mm BACKWARD CURVED CENTRIFUGAL FANS WITH SUPPORT BRACKET

INFORMATION

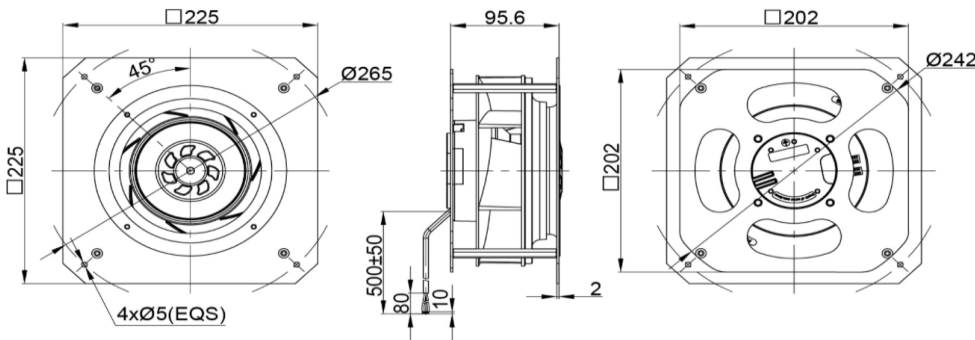
| | |
|------------------------|--|
| IMPELLER: | PA66+GF |
| BLADE NO.: | 7 BLADES |
| BEARING: | NMB BALL BEARING |
| LEAD WIRES | Red, Blue(AWG18#); Yellow, White(AWG24#) |
| INSULATION : | CLASS B |
| OPERATING TEMPERATURE: | -25°C to 60°C |
| SPEED CONTROL | CONTROL INPUT 0~10VDC / PWM |
| LIFE EXPECTANCE | 50,000 Hours at At 40°C |
| SIGNAL OUTPUT | FG (Frequency Generator) |
| ROHS COMPLIANCE | Yes. |
| IP LEVEL | IP55 (Special IP Rating On Request) |



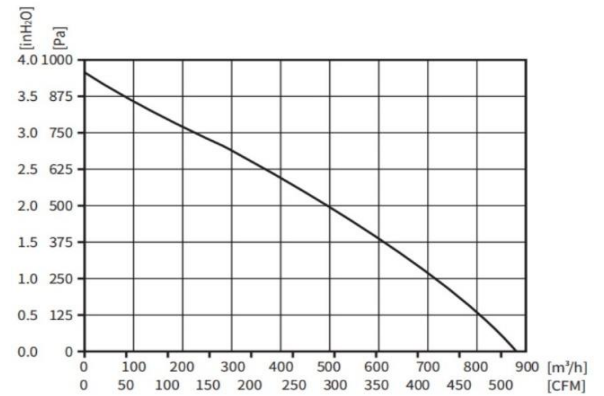
SPECIFICATION

| MODEL NO. | RATED VDC | OPERATED VOLTAGE (VDC) | SPEED (RPM) | RATED CURRENT (A) | INPUT POWER (W) | Max. M ³ /H | Air Flow CFM | Max. Static inch-H ₂ O | Pressure PA | Noise Level dB(A) |
|--------------------------|-----------|------------------------|-------------|-------------------|-----------------|------------------------|---------------|-----------------------------------|-------------|-------------------|
| ECFK22595V24HB-PB | 24 | 16~28 | 4400 | 6.40 | 153.6 | 880 | 517.88 | 3.80 | 950 | 74 |

DRAWING:



PQ CURVE:



Specifications are subject to change without notice. Please visit our website at <http://www.sofasco.com> for update information.