

## 133mm BACKWARD CURVED CENTRIFUGAL FANS WITH SUPPORT BRACKET

### INFORMATION

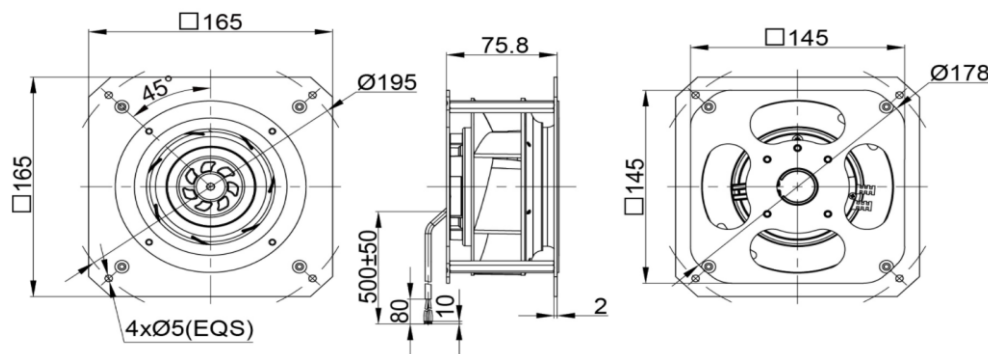
|                        |  |
|------------------------|--|
| IMPELLER:              | PA66+GF                                  |
| BLADE NO.:             | 7 BLADES                                 |
| BEARING:               | NMB BALL BEARING                         |
| LEAD WIRES             | Red, Blue(AWG18#); Yellow, White(AWG24#) |
| INSULATION :           | CLASS B                                  |
| OPERATING TEMPERATURE: | -25°C to 60°C                            |
| SPEED CONTROL          | CONTROL INPUT 0~10VDC / PWM              |
| LIFE EXPECTANCE        | 50,000 Hours at At 40°C                  |
| SIGNAL OUTPUT          | FG (Frequency Generator)                 |
| RoHS COMPLIANCE        | Yes.                                     |
| IP LEVEL               | IP55 (Special IP Rating On Request)      |



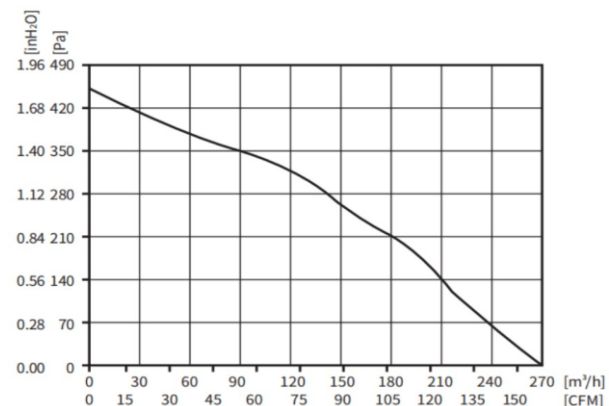
### SPECIFICATION

| MODEL NO.                | RATED VDC | OPERATED VOLTAGE (VDC) | SPEED (RPM) | RATED CURRENT (A) | INPUT POWER (W) | Max. M <sup>3</sup> /H | Air Flow CFM  | Max. Static inch-H <sub>2</sub> O | Pressure PA | Noise Level dB(A) |
|--------------------------|-----------|------------------------|-------------|-------------------|-----------------|------------------------|---------------|-----------------------------------|-------------|-------------------|
| <b>ECFK16575V48HB-PB</b> | <b>48</b> | <b>36~57</b>           | <b>4500</b> | <b>0.70</b>       | <b>33</b>       | <b>270</b>             | <b>158.90</b> | <b>1.80</b>                       | <b>450</b>  | <b>68</b>         |

### DRAWING:



### PQ CURVE:



Specifications are subject to change without notice. Please visit our website at <http://www.sofasco.com> for update information.