

INFORMATION

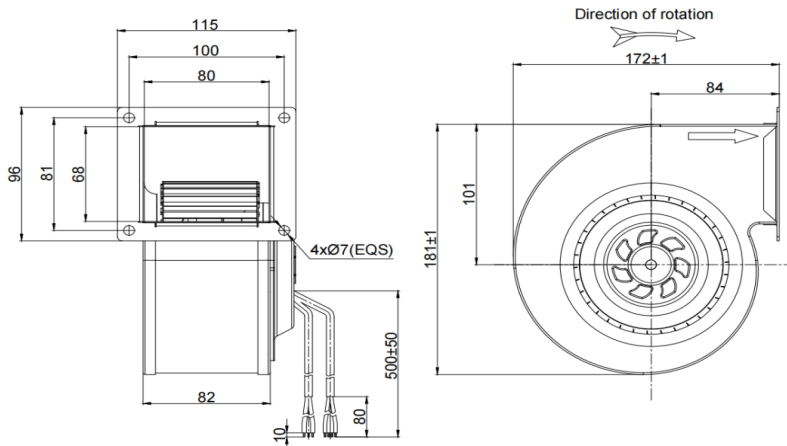
IMPELLER:	Cold rolled steel sheet
BLADE NO.:	38 BLADES
BEARING:	NMB BALL BEARING
LEAD WIRES	AC (AWG20#) , DC (AWG24#)
INSULATION :	CLASS B
OPERATING TEMPERATURE:	-25°C to 60°C
SPEED CONTROL	CONTROL INPUT 0~10VDC / PWM
LIFE EXPECTANCE	50,000 Hours at At 40°C
SIGNAL OUTPUT	FG (Frequency Generator)
RoHS COMPLIANCE	Yes.
IP LEVEL	IP44 (Special IP Rating On Request)



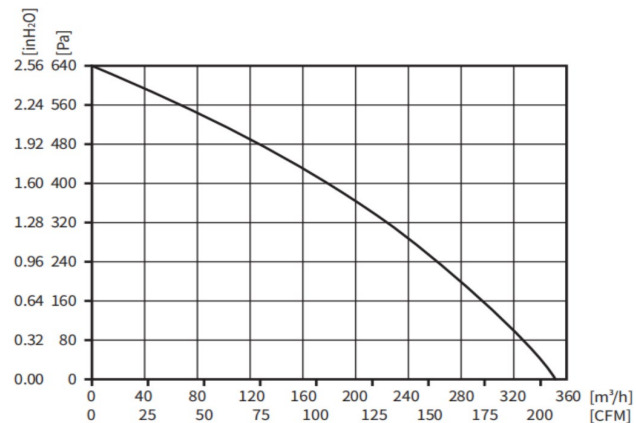
SPECIFICATION

MODEL NO.	RATED (VAC)	OPERATED VOLTAGE (VAC)	SPEED (RPM)	RATED CURRENT (A)	INPUT POWER (W)	Max. Air Flow		Max. Static Pressure		Noise Level (dB)
						M ³ /H	CFM	inch-H ₂ O	PA	
ACB172115V2HB-PB	230	184~270	2500	0.55	72	350	205.98	2.56	640	61

DRAWING:



PQ CURVE:



Specifications are subject to change without notice. Please visit our website at <http://www.sofasco.com> for update information.