



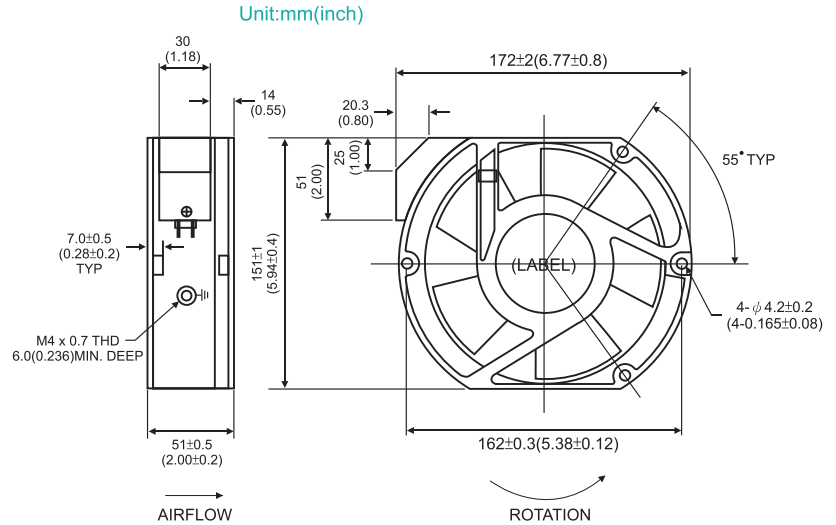
# A17251-C Series

Size: 172x151x55mm(6.77"x6"x2")

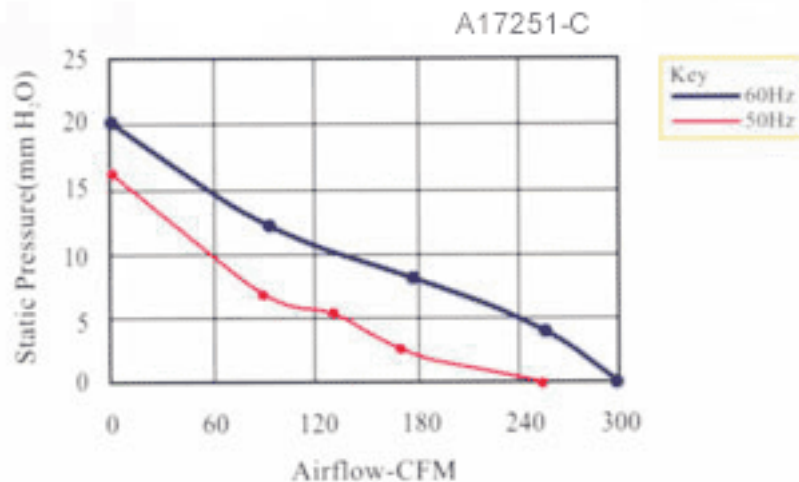
\* Shaded Pole Motor Type Also Available.

### DIMENSION

HOUSING : Die - Cast Aluminum, Painted Black  
 IMPELLER : Thermoplastic PBT, UL94V - 0  
 BEARING : Ball  
 TERMINATION : Terminals  
 MOTOR TYPE : Capacitor  
 START VOLTAGE : 30 VAC for 115 VAC Type  
                     60 VAC for 230 VAC Type  
 DIELECTRIC STRENGTH : 1,500 VAC for 1 minute  
 INSULATION : Class B  
 INSULATION RESISTANCE : 100,000 Ohms min. @500 VDC  
 OPERATING TEMPERATURE : -20°C to + 80°C  
 SAFETY : Thermally Protected (Auto Restart)  
 WEIGHT : 875g (31 oz.)



### AIR PERFORMANCE



### SPECIFICATION

MODEL NO.	RATED VOLTAGE (V)	FREQUENCY (Hz)	RATED CURRENT (A)	INPUT POWER (W)	SPEED (RPM)	AIR FLOW		NOISE dB(A) @ 1M
						CFM	m <sup>3</sup> /min	
A17251V1H	115	50 / 60	0.35/0.40	46/50	2850/3300	250/293	16.0/20.0	56/61
A17251V1M	115	50 / 60	0.23/0.30	32/31	2800/3100	190/235	15.0/19.0	50/45
A17251V2H	230	50 / 60	0.20/0.22	46/50	2850/3300	250/293	16.0/20.0	56/61
A17251V2M	230	50 / 60	0.23/0.30	32/31	2800/3100	190/235	15.0/19.0	50/45