



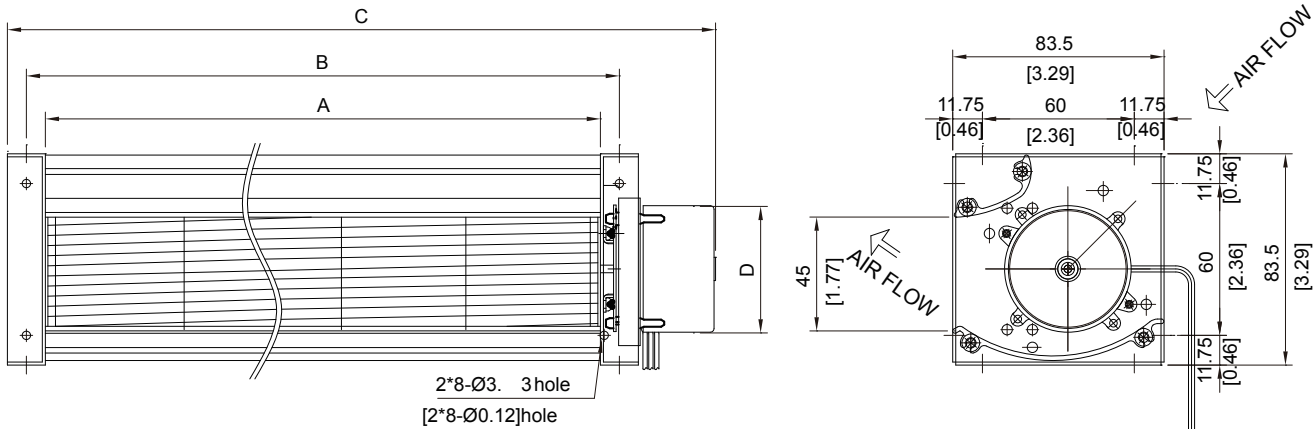
**HOUSING** Metal/Aluminum  
**IMPELLER** Aluminum, Ø60mm  
**BEARING** Ball  
**OPERATING TEMPERATURE** 0°C to + 45°C  
**DIELECTRIC STRENGTH** 5mA Max. at 500 VAC for 1 minute  
**INSULATION RESISTANCE** 10M Ω min. @500 VDC  
**MOTOR TYPE** DC Brushless Motor  
**ROHS COMPLIANCE** Yes  
**IP LEVEL** IP21 (Special IP Rating On Request)

\* FAN IS FOR HORIZONTAL USE ONLY \*

# 60mm

60mm

## DIMENSION



MODEL NO.	DIMENSION(mm)				WEIGHT (g)
	A	B	C	D	
sDFH60306-3P	306	321	351	38	680
sDFH60366-3P	366	381	411	38	740
sDFH60426-3P	426	441	471	38	810
sDFH60606-3P	606	621	664	56	1260

UNIT:mm[inch]

## SPECIFICATION

MODEL NO.	RATED VOLTAGE (V)	RATED CURRENT (A)	INPUT POWER (W)	SPEED (RPM)	MAX. AIR PRESSURE		MAX. AIR FLOW		NOISE dB(A)@ 1M
					inchH <sub>2</sub> O	mmH <sub>2</sub> O	CFM	m <sup>3</sup> /min	
sDFH60306V24HB-3P	24	0.26	6.24	1900	0.051	1.3	74.2	2.1	47
sDFH60366V24HB-3P	24	0.28	6.72	1700	0.055	1.4	81.27	2.3	46
sDFH60426V24HB-3P	24	0.29	6.96	1600	0.063	1.6	95.41	2.7	46
sDFH60606V24HB-3P	24	0.57	13.68	1900	0.055	1.4	148.41	4.2	44

## AIR PERFORMANCE

