

Zehnder GD9 ø 160 mm

Round Pre-Insulated Ductwork

Product data sheet

always the best climate



GD9 ø 160 mm

The Zehnder ø 160 mm self-seal insulated ducting is perfect for meeting Building Regulations for insulation whilst minimising air leakage. The lightweight and robust ductwork along with the self-seal connection mean this can be installed much faster than conventional rockwool insulation.

The PUSH - CLICK - LOCK connection eliminate the need for tape, sealant and screws and also exceeds the requirements set out in [DW/143](#) Class A Leakage Test and [DW/154](#) ductwork standards and has also been independently tested by the BRE.

The ductwork is compatible with our standard ø 150 mm PVC ductwork when used with our reducer.



Key Features

- Easy and quick to install
- Airtight
- Compliant with Building Regulations
- Independently tested by the BRE
- Simple PUSH - CLICK - LOCK connection
- Lightweight and easy to handle
- No sealant or tape required
- Wide range of size options
- Suitable for use with standard PVC ductwork
- Flame retardant to [DIN 4102 B1](#)

Article Numbers

Description	Product Code
GD round ducting, insulated GD9 duct, ø 160 mm x 1 m	GD913.1I
GD round ducting, insulated GD9 duct, ø 160 mm x 2 m	GD913.2I
GD round ducting, insulated GD9 90° bend	GD924I
GD round ducting, insulated GD9 45° bend	GD926I
GD round ducting, insulated GD9 T-piece	GD930I
GD round ducting, GD9 self-seal coupling, duct to fitting, for insulated system	GD932SSCI
GD round ducting, GD9 self-seal coupling, duct to duct, for insulated system	GD933SSCI
GD round ducting, GD9 ø 160 to ø 150 mm reducer, for insulated system	GDA17I

Technical Specification

Material	Graphite impregnated expanded polystyrene (EPS)
Operating temperature range	-15 to +60°C
Minimum density	25 kg/m ³
Free area	20,108 mm ²
Thermal conductivity	0.03 W/mK
Thickness	20 mm
Thermal Resistance	0.666 m ² K/W
Fire Rating in accordance with DIN 4102-1	B1
Meets BASF-EN13163	Yes
Exceed DW/143 Class A leakage test	Yes
Meets DW/154 ductwork standard	Yes

GD round ducting, insulated GD9 duct, ø 160 mm

Article number: GD913.1I / GD913.2I

Description

Insulated duct:

Insulated duct available in 1 m or 2 m lengths. Each length comes complete with a single duct to duct connector ([GD933SSCI](#)) to fit into the next straight length. Suitable for use with [GDA17I](#) to reduce to GD913 ø 150 mm PVC ductwork.

Technical Specification

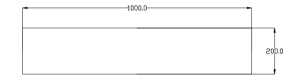
Outside diameter	200 mm
Inside diameter	160 mm
Length	1000 mm / 2000 mm
Weight	0.422 kg / 0.844 kg

Dimensions

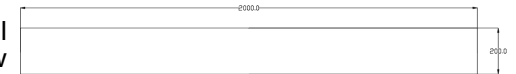
GD913.1I
GD913.2I
Side View



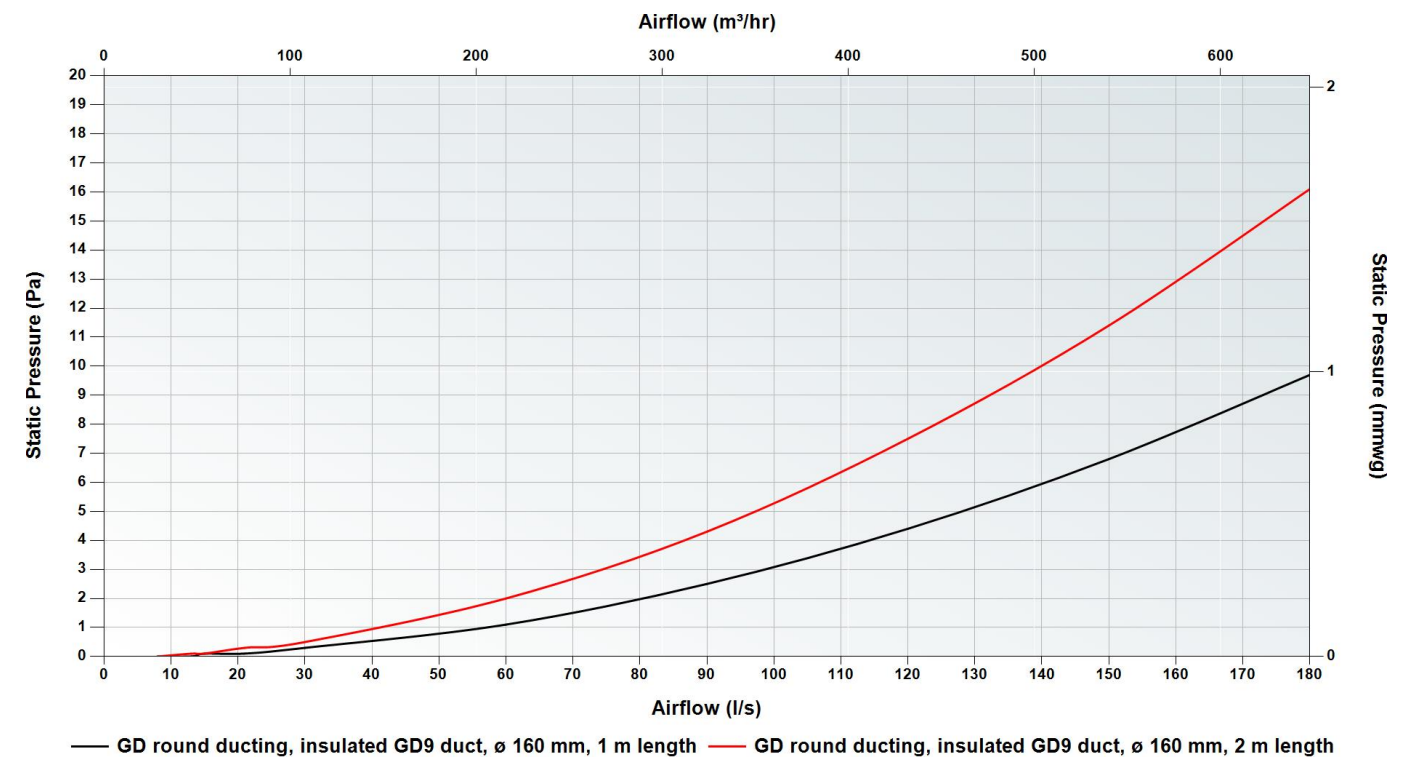
GD913.1I
Top View



GD913.2I
Top View



Pressure Curve





GD round ducting, insulated GD9 90° bend

Article number: GD924I

Description

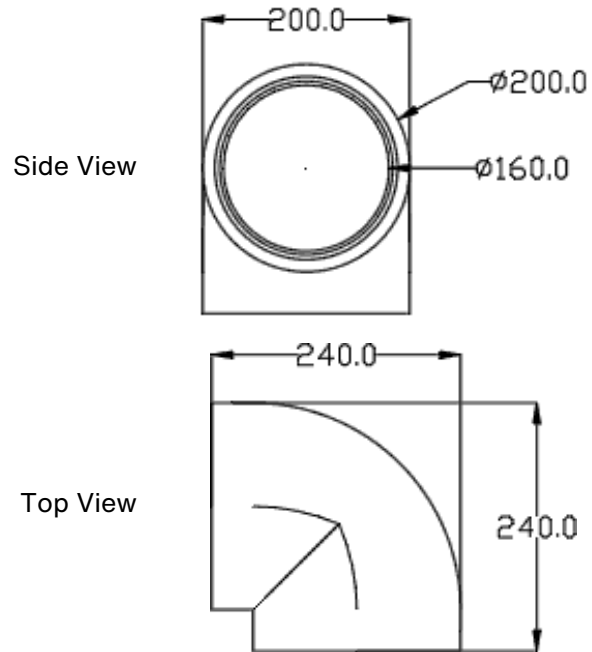
Insulated bend:
Insulated bend available in 45° and 90°. Each bend comes complete with two duct to fitting connectors (GD932SSCI) to securely connect to a straight length of insulated duct.

Technical Specification

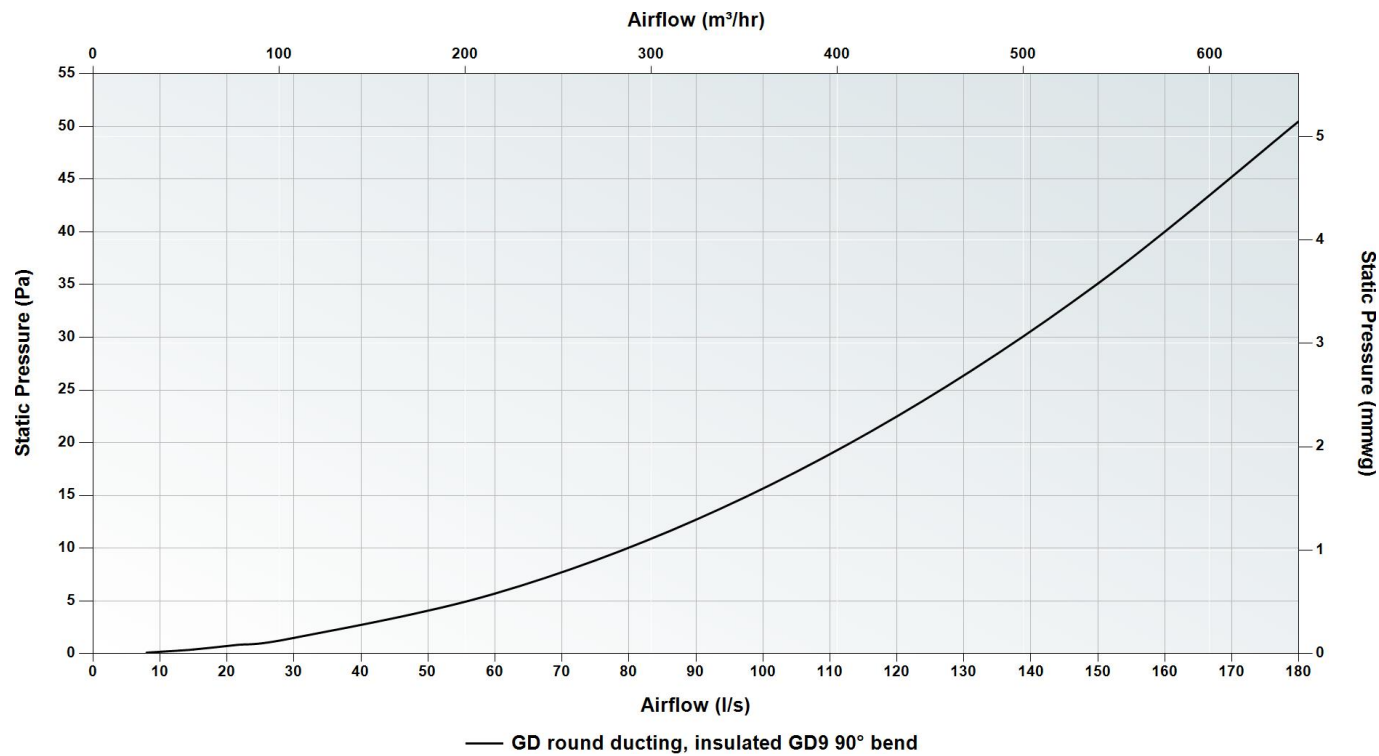
Angle	90°
Height	240 mm
Width	240 mm
Depth	200 mm
Weight	0.225 kg



Dimensions



Pressure Curve



GD round ducting, insulated GD9 45° bend

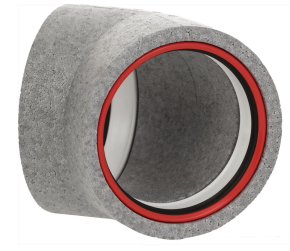
Article number: GD926I

Description

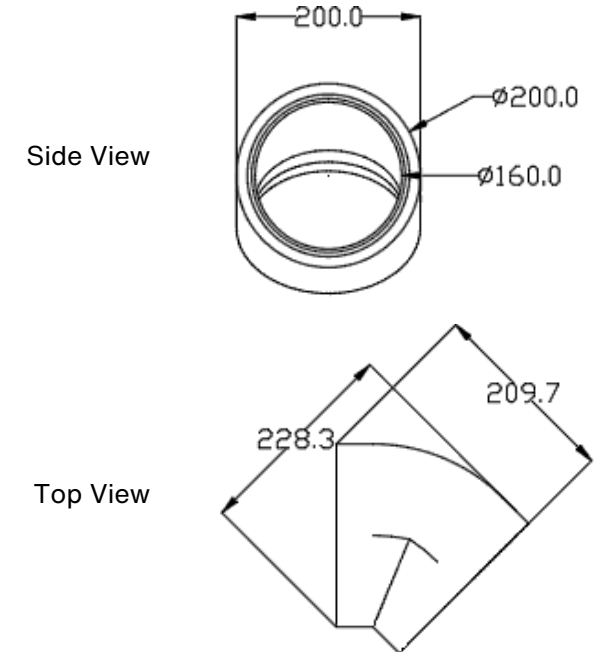
Insulated bend:
Insulated bend available in 45° and 90°. Each bend comes complete with two duct to fitting connectors (GD932SSCI) to securely connect to a straight length of insulated duct.

Technical Specification

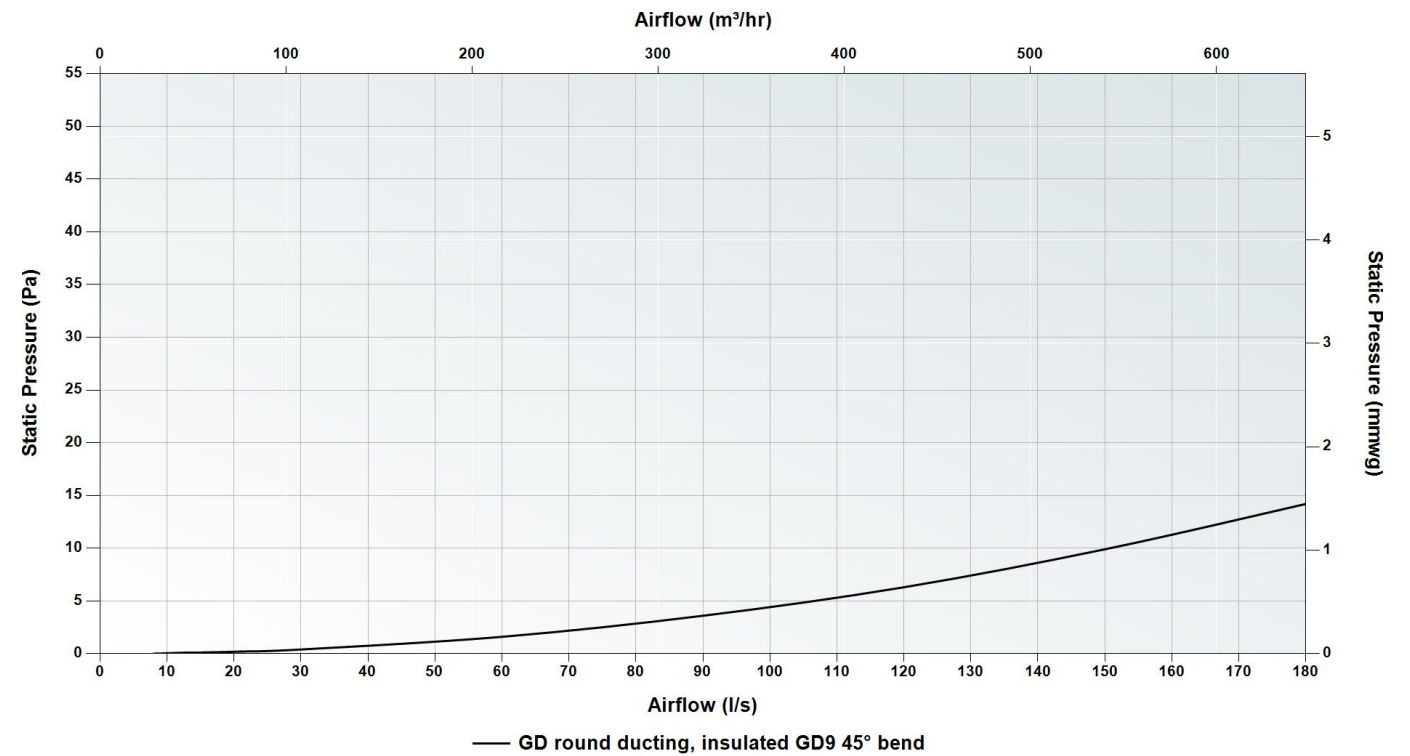
Angle	45°
Height	209.7 mm
Width	228.3 mm
Depth	200 mm
Weight	0.207 kg



Dimensions



Pressure Curve



GD round ducting, insulated GD8 T-piece, ø 160 mm

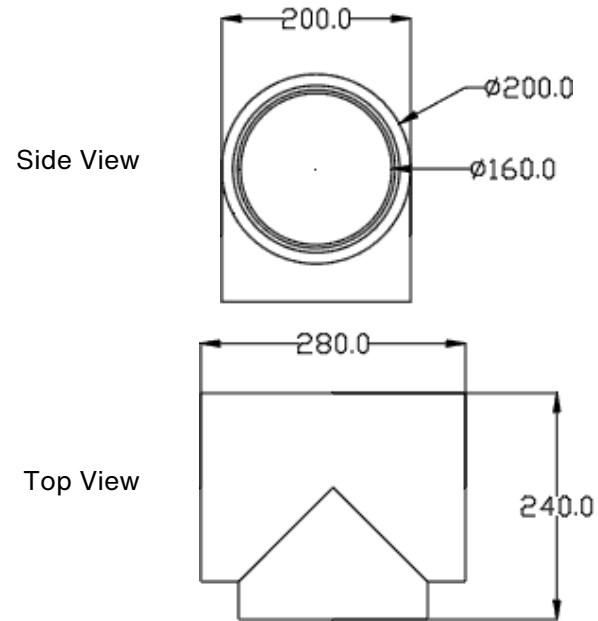
Article number: GD930I

Description
Insulated T-piece:

Insulated T-piece. Each T-piece comes complete with three duct to fitting connectors ([GD932SSCI](#)) to securely connect to a straight length of insulated duct.

Technical Specification

Height	240 mm
Width	280 mm
Depth	200 mm
Weight	0.326 kg


Dimensions

GD round ducting, GD8 self-seal coupling, duct to fitting, for insulated system

Article number: GD932SSCI

Description
Coupling:

Couplings for insulated duct system. Duct to fitting connector ([GD932SSCI](#)) to securely connect one of the ancillaries to a length of duct.

Technical Specification

Length	65.3 mm
Diameter	173.2 mm


GD round ducting, GD8 self-seal coupling, duct to duct, for insulated system

Article number: GD933SSCI

Description
Coupling:

Couplings for insulated duct system. Duct to duct connector ([GD933SSCI](#)) to connect two lengths of duct.

Technical Specification

Length	60 mm
Diameter	162.2 mm


GD round ducting, GD9 ø 160 to ø 150 mm reducer, for insulated system

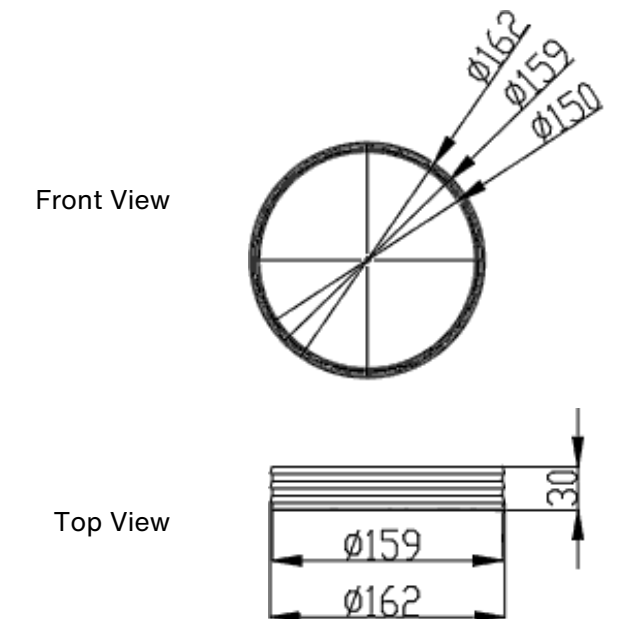
Article number: GDA17I

Description
Reducer:

Zehnder ø 160 mm self-seal insulated ducting to ø 150 mm convertor. The rigid connector can be placed into a Zehnder ø 160 mm self-seal insulated ducting to convert it to ø 150 mm ductwork.

Technical Specification

Length	30 mm
Diameter	159-150 mm


Dimensions


BIM/CAD Components

If you would like to download the BIM / CAD files for this or any other of our products then please visit our BIM library.

[TO VISIT OUR BIM/CAD LIBRARY](#)

[CLICK HERE](#)

Installation Instructions

If you would like to download the installation files for this or any other of our products then please visit our download page by clicking the link below.

[TO VISIT OUR DOWNLOAD PAGE](#)

[CLICK HERE](#)

Consultant Specification

Specification

The pre-insulated ductwork shall be constructed of graphite impregnated expanded polystyrene (EPS) with a density of 25 kg/m³ and thermal resistance of 0.666 m²K/W. It shall be fully tested to meet the thermal conductivity requirements of [BASF-EN13163](#) and be flame retardant to [DIN 4102-B1](#).

It shall have an operating temperature range of -15 to +60°C and not be designed to exceed flowrates with a velocity in excess of 3 m/s. The ductwork shall exceed [DW/143](#) Class A leakage test and meet the [DW/154](#) ductwork standard.