

# Zehnder GD8 204x60 mm

Rectangular Pre-Insulated Ductwork

Product data sheet

always the best climate



# GD8 204x60 mm

The Zehnder 204 mm x 60 mm self-seal insulated ducting is perfect for meeting Building Regulations for insulation whilst minimising air leakage. The lightweight and robust ductwork along with the self-seal connection mean this can be installed much faster than conventional rockwool insulation.

The PUSH - CLICK - LOCK connection eliminate the need for tape, sealant and screws and also exceeds the requirements set out in [DW/143](#) Class A Leakage Test and [DW/154](#) ductwork standards and has also been independently tested by the BRE.

The ductwork is compatible with our standard 204 mm x 60 mm PVC ductwork.



## Key Features

- Easy and quick to install
- Airtight
- Compliant with Building Regulations
- Independently tested by the BRE
- Simple PUSH - CLICK - LOCK connection
- Lightweight and easy to handle
- No sealant or tape required
- Wide range of size options
- Suitable for use with standard PVC ductwork
- Flame retardant to [DIN 4102 B1](#)

## Article Numbers

Description	Product Code
<a href="#">GD rectangular ducting, insulated GD8 duct, 204 mm x 60 mm x 1 m</a>	GD801.1I
<a href="#">GD rectangular ducting, insulated GD8 duct, 204 mm x 60 mm x 2 m</a>	GD801.2I
<a href="#">GD rectangular ducting, insulated GD8 to ø 125 mm adaptor with 90° bend</a>	GD803I
<a href="#">GD rectangular ducting, insulated GD8 90° horizontal bend</a>	GD805I
<a href="#">GD rectangular ducting, insulated GD8 45° horizontal bend</a>	GD816I
<a href="#">GD rectangular ducting, insulated GD8 90° vertical bend</a>	GD806I
<a href="#">GD rectangular ducting, insulated GD8 45° vertical bend</a>	GD817I
<a href="#">GD rectangular ducting, insulated GD8 horizontal T-piece</a>	GD810I
<a href="#">GD rectangular ducting, GD8 self-seal coupling, duct to fitting, for insulated system</a>	GD817SSCI
<a href="#">GD rectangular ducting, GD8 self-seal coupling, duct to duct, for insulated system</a>	GD818SSCI

## Technical Specification

Material	Graphite impregnated expanded polystyrene (EPS)
Operating temperature range	-15 to +60°C
Minimum density	25 kg/m <sup>3</sup>
Free area	12,232 mm <sup>2</sup>
Thermal conductivity	0.03 W/mK
Thickness	20 mm
Thermal Resistance	0.666 m <sup>2</sup> K/W
Fire Rating in accordance with DIN 4102-1	B1
Meets <a href="#">BASF-EN13163</a>	Yes
Exceed <a href="#">DW/143</a> Class A leakage test	Yes
Meets <a href="#">DW/154</a> ductwork standard	Yes

## GD rectangular ducting, insulated GD8 duct, 204 mm x 60 mm

Article number: GD801.1I / GD801.2I

### Description

#### Insulated duct:

Insulated duct available in 1 m or 2 m lengths. Each length comes complete with a single duct to duct connector ([GD818SSCI](#)) to fit into the next straight length of duct. Suitable for use with GD801 204 mm x 60 mm PVC ductwork.

### Technical Specification

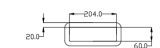
Height	100 mm
Width	244 mm
Length	1000 mm / 2000 mm
Weight	0.411 kg / 0.822 kg

## Dimensions

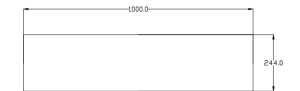
GD801.1I  
Front View



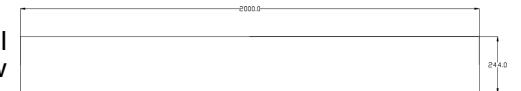
GD801.1I  
GD801.2I  
Side View



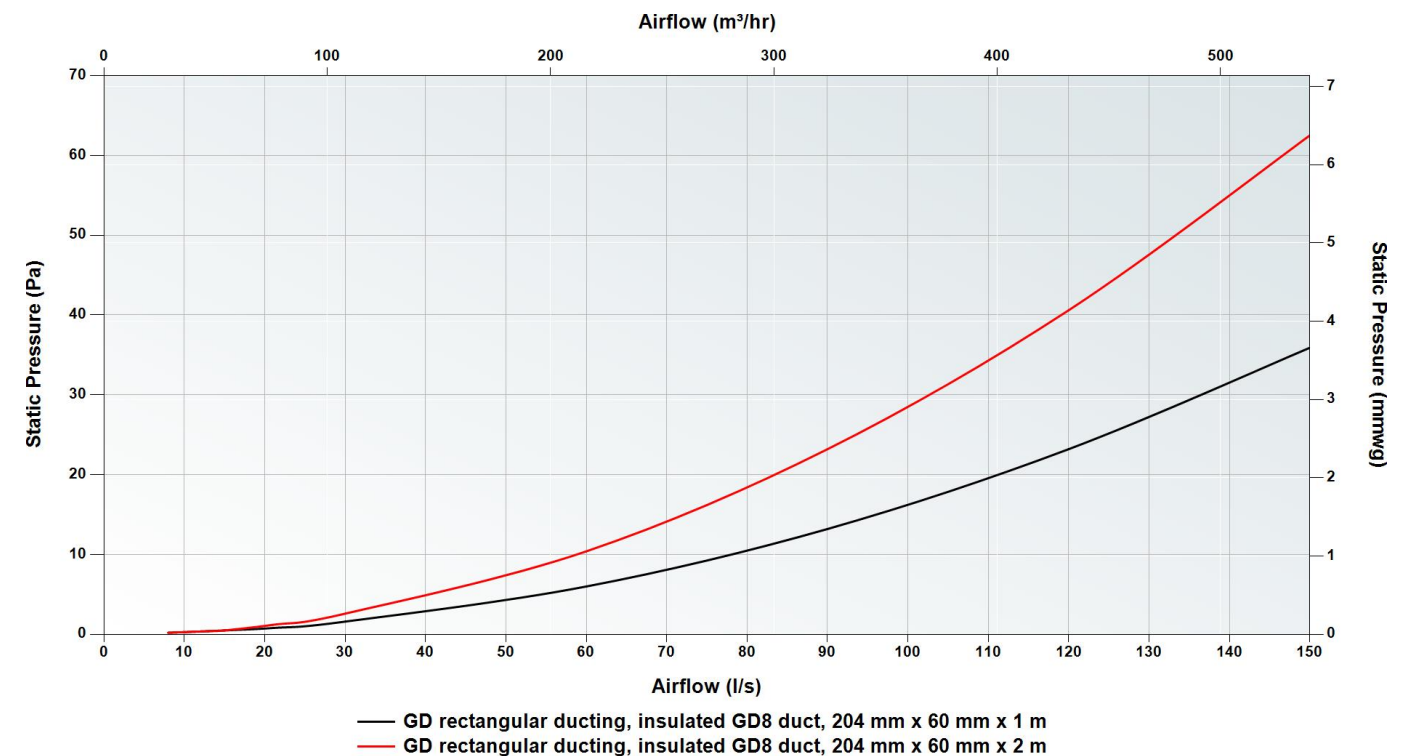
GD801.1I  
Top View



GD801.2I  
Top View



## Pressure Curve



### GD8 to $\varnothing$ 125 mm adaptor with 90° bend

Article number: GD803I

#### Description

##### Insulated rectangular to round adaptor:

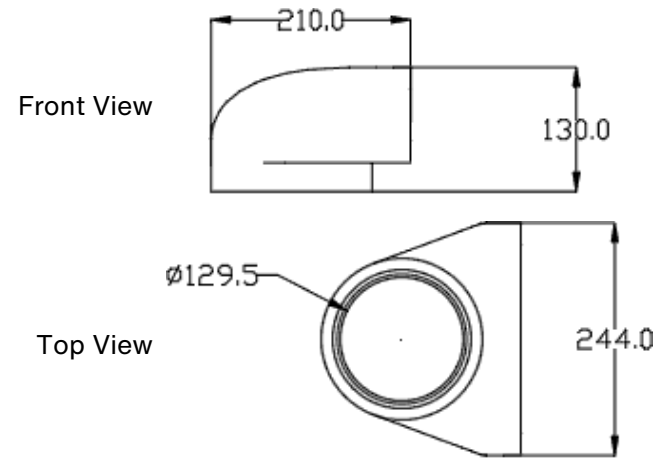
Insulated rectangular to round adaptor with 90° bend to convert from rectangular 204 mm x 60 mm to  $\varnothing$  125 mm. Each adaptor comes complete with a 204 mm x 60 mm duct to fitting connector (GD817SSCI) and a  $\varnothing$  125 mm duct to fitting connector (GD818SSCI) to securely connect to a straight length of insulated duct.

#### Technical Specification

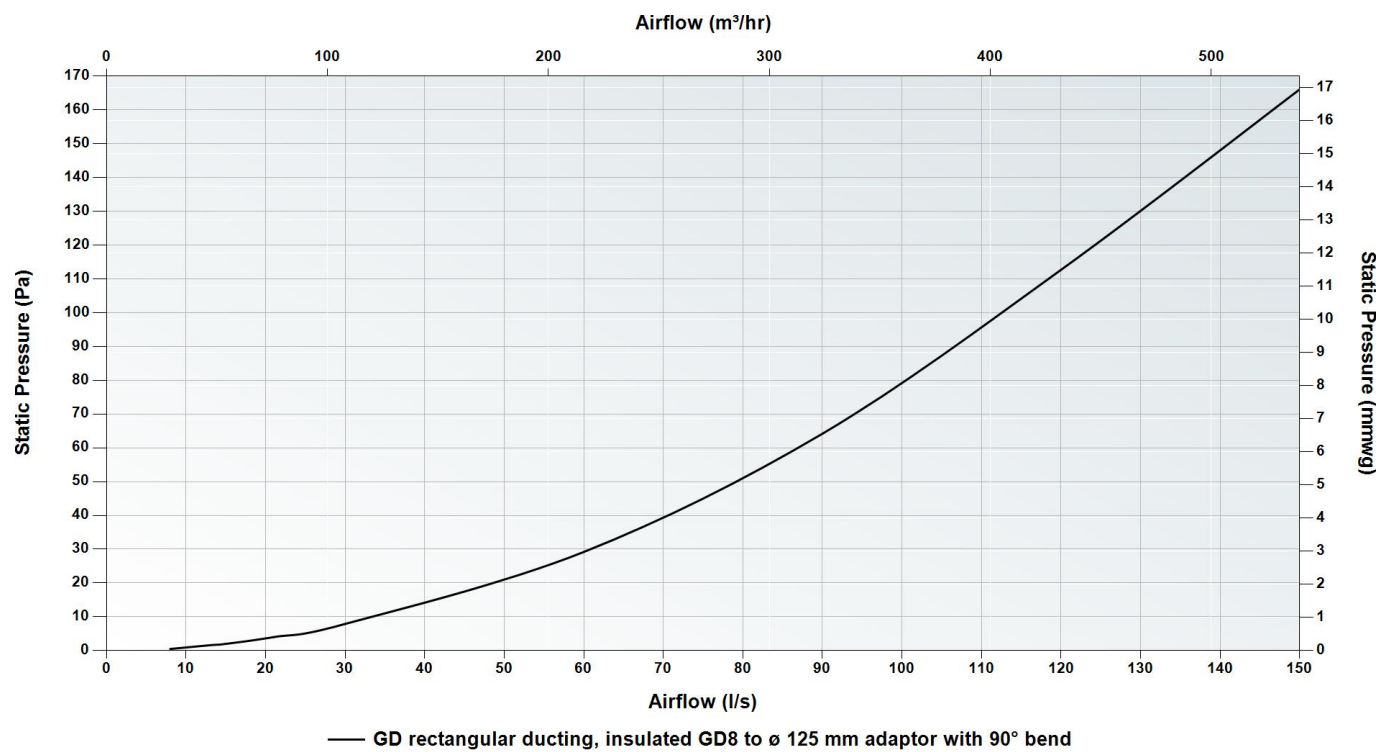
Height	130 mm
Width	244 mm
Depth	210 mm
Weight	0.198 kg



#### Dimensions



#### Pressure Curve



### GD rectangular ducting, insulated GD8 90° horizontal bend

Article number: GD805I

#### Description

##### Insulated bend:

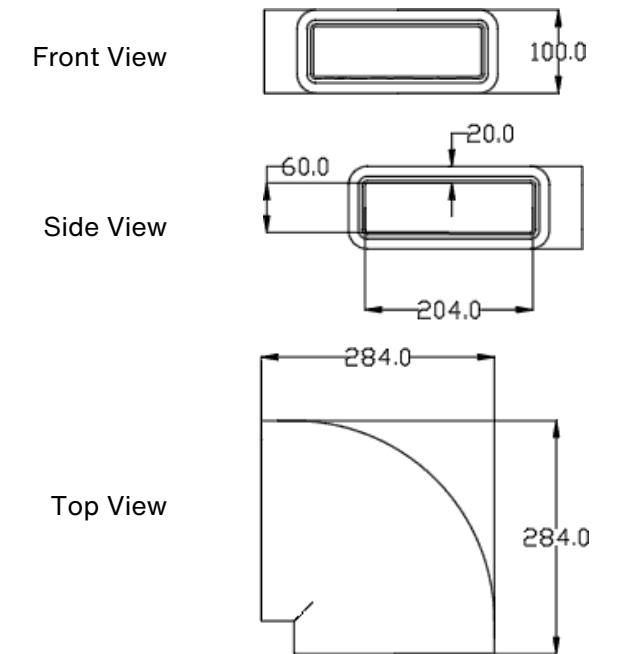
Horizontal insulated bend available in 45° and 90°. Each bend comes complete with two duct to fitting connectors (GD817SSCI) to securely connect to a straight length of insulated duct.

#### Technical Specification

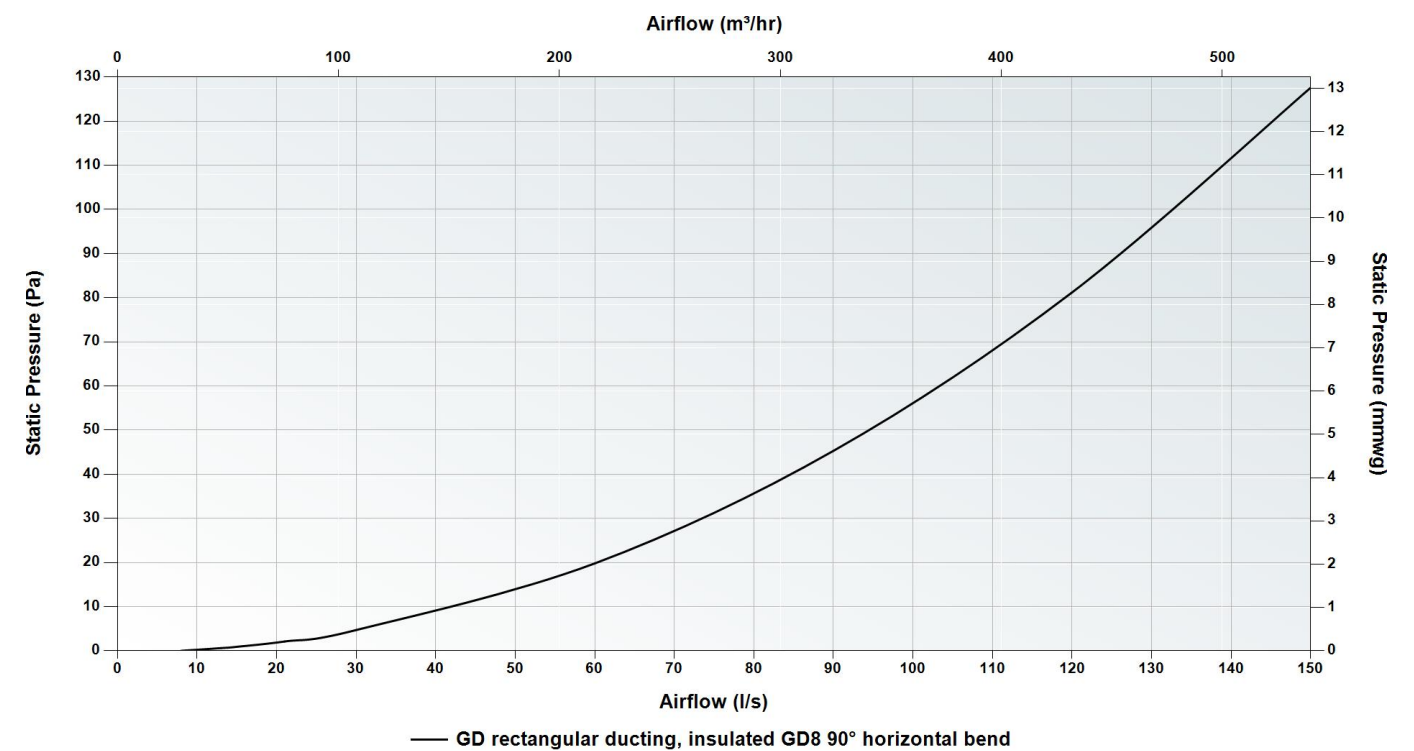
Angle	90°
Height	100 mm
Width	284 mm
Depth	284 mm
Weight	0.243 kg



#### Dimensions



#### Pressure Curve



### GD rectangular ducting, insulated GD8 45° horizontal bend

Article number: GD816I

#### Description

##### Insulated bend:

Horizontal insulated bend available in 45° and 90°. Each bend comes complete with two duct to fitting connectors (GD817SSCI) to securely connect to a straight length of insulated duct.

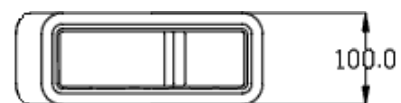
#### Technical Specification

Angle	45°
Height	100 mm
Width	272.3 mm
Depth	240.8 mm
Weight	0.218 kg

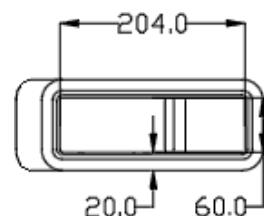


#### Dimensions

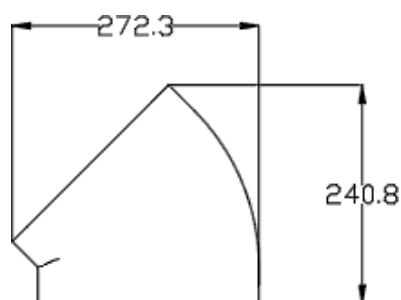
Front View



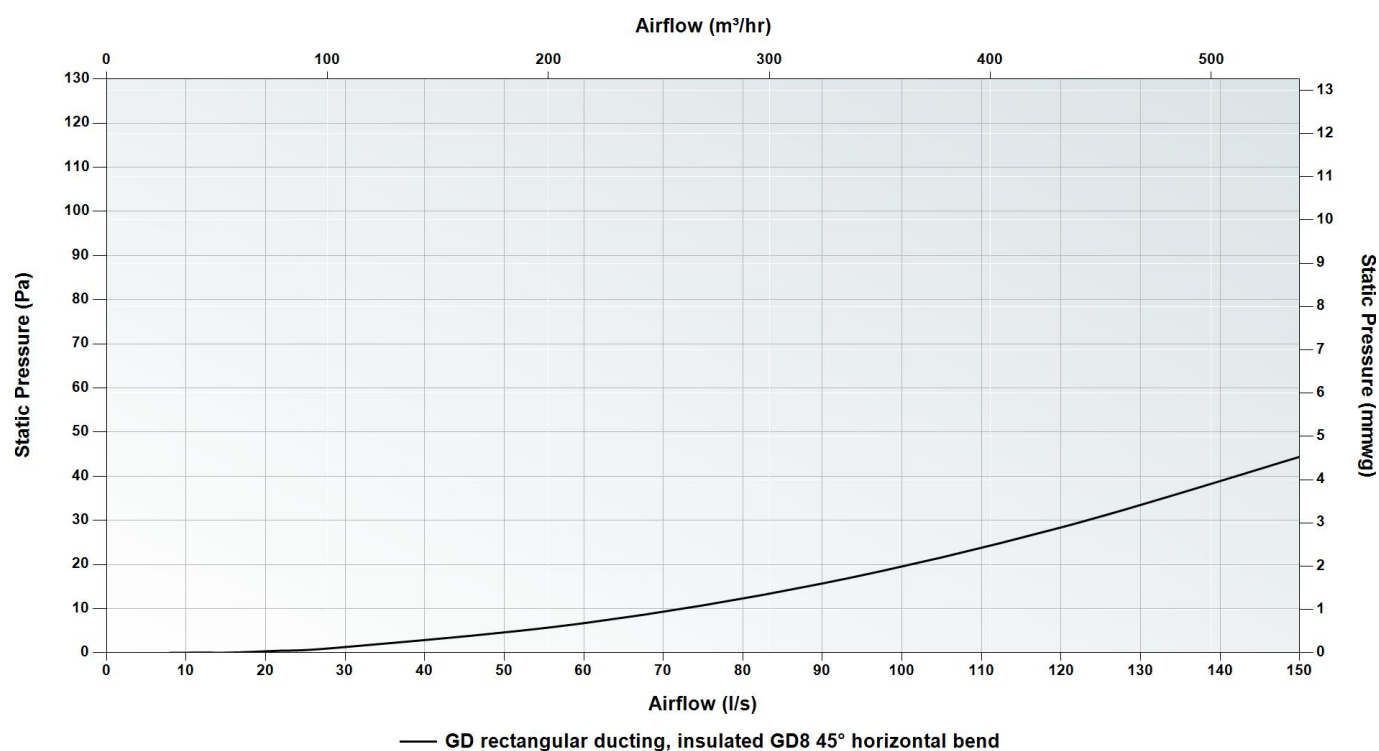
Side View



Top View



#### Pressure Curve



### GD rectangular ducting, insulated GD8 90° vertical bend

Article number: GD806I

#### Description

##### Insulated bend:

Vertical insulated bend available in 45° and 90°. Each bend comes complete with two duct to fitting connectors (GD817SSCI) to securely connect to a straight length of insulated duct.

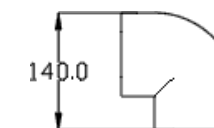
#### Technical Specification

Angle	90°
Height	140 mm
Width	244 mm
Depth	140 mm
Weight	0.208 kg

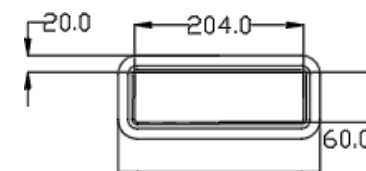


#### Dimensions

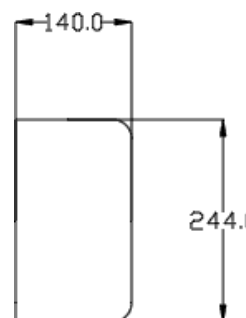
Front View



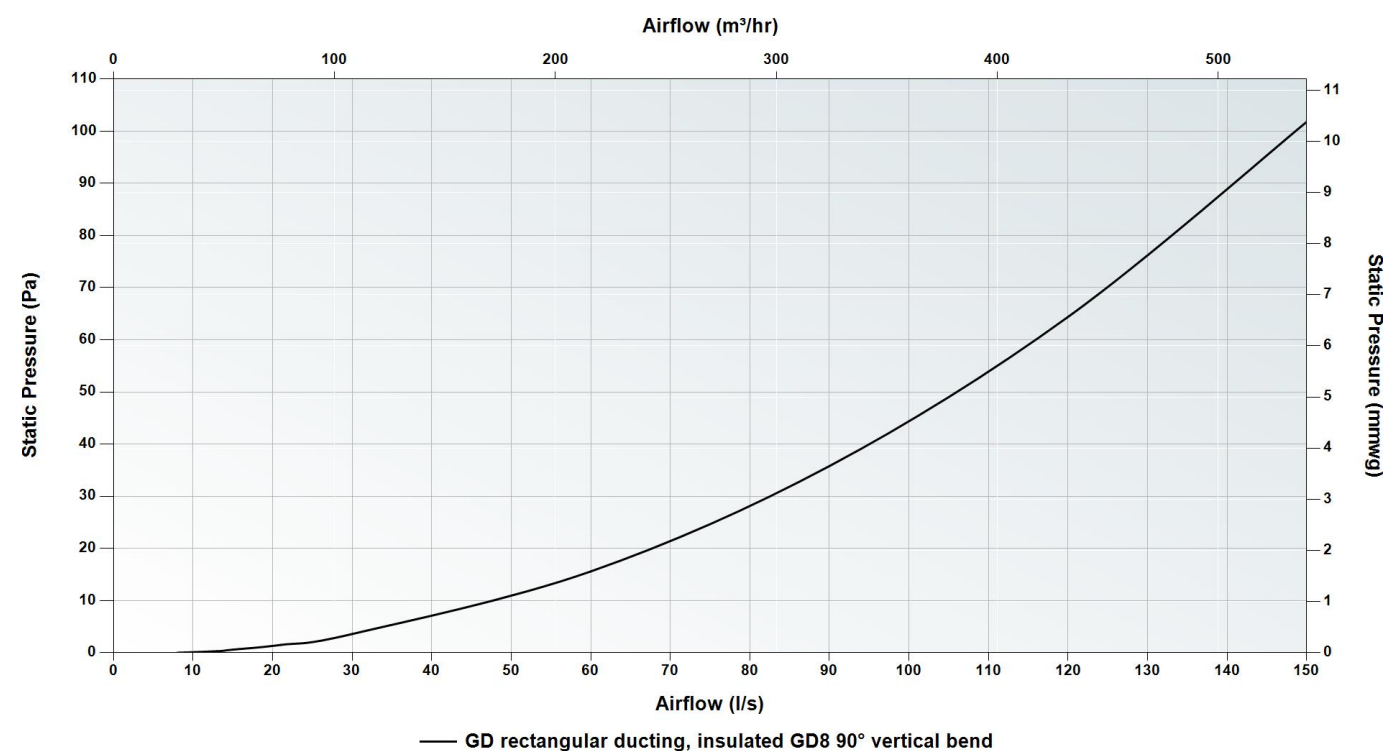
Side View



Top View



#### Pressure Curve





**GD rectangular ducting, insulated GD8 45° vertical bend**

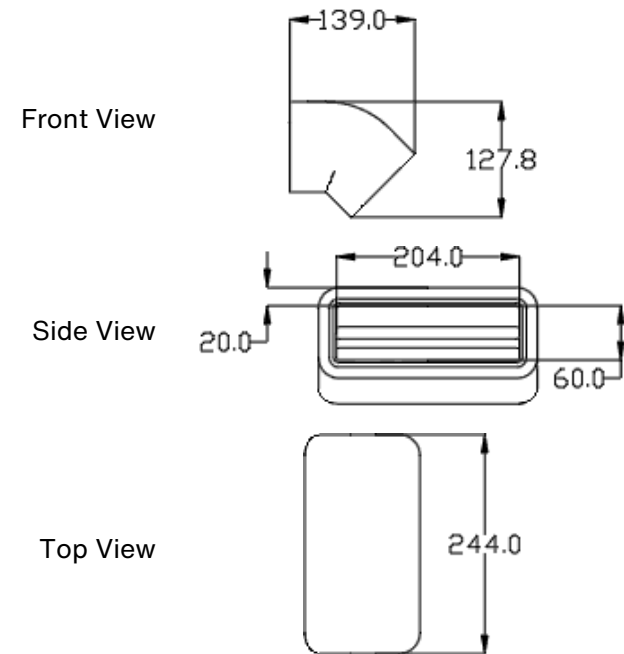
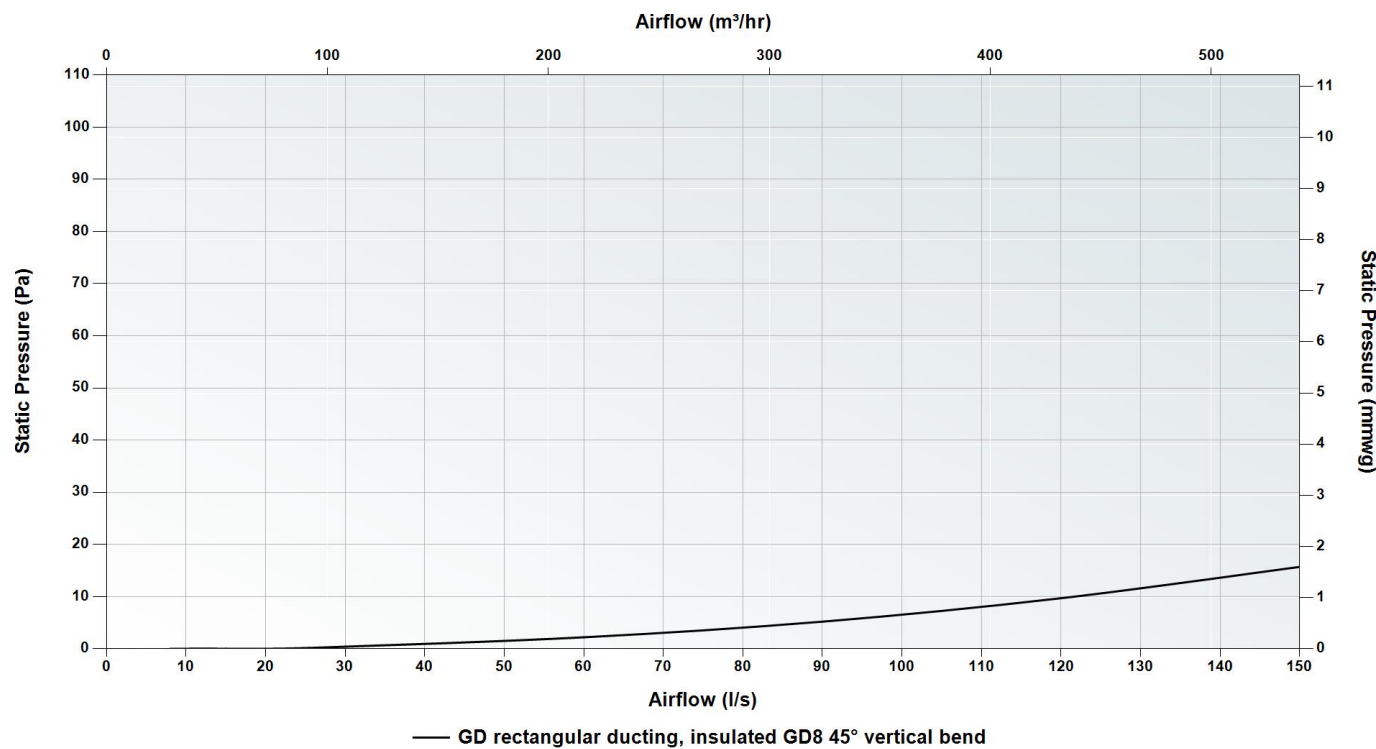
Article number: GD8171

**Description****Insulated bend:**

Vertical insulated bend available in 45° and 90°. Each bend comes complete with two duct to fitting connectors (GD817SSCI) to securely connect to a straight length of insulated duct.

**Technical Specification**

Angle	45°
Height	127.8 mm
Width	244 mm
Depth	139 mm
Weight	0.210 kg

**Dimensions****Pressure Curve****GD rectangular ducting, insulated GD8 horizontal T-piece**

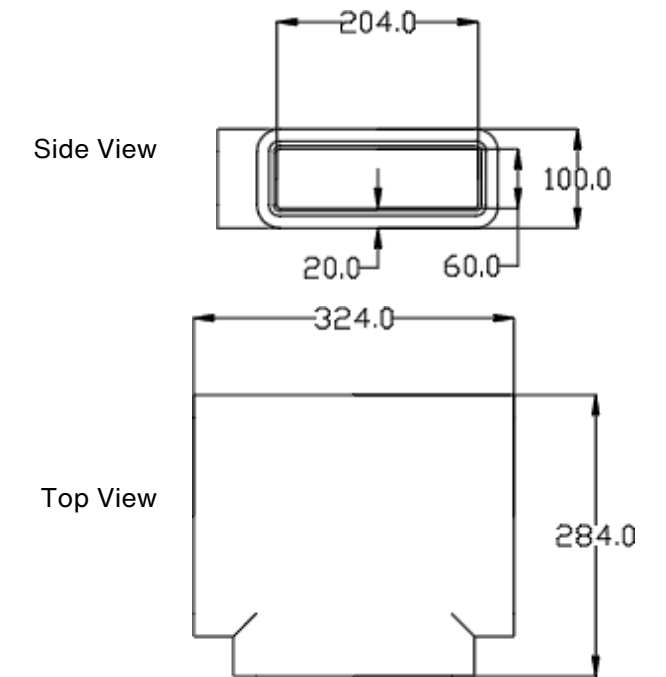
Article number: GD8101

**Description****Insulated T-piece:**

Insulated T-piece. Each T-piece comes complete with three duct to fitting connectors (GD817SSCI) to securely connect to a straight length of insulated duct.

**Technical Specification**

Height	100 mm
Width	324 mm
Depth	284 mm
Weight	0.345 kg

**Dimensions****GD rectangular ducting, GD8 self-seal coupling, duct to fitting, for insulated system**

Article number: GD817SSCI

**Description****Coupling:**

Couplings for insulated duct system. Duct to fitting connector (GD817SSCI) to securely connect one of the ancillaries to a length of duct.

**Technical Specification**

Height	73 mm
Width	218 mm
Depth	65.3 mm



## GD rectangular ducting, GD8 self-seal coupling, duct to duct, for insulated system

Article number: GD818SSCI

### Description

#### Coupling:

Couplings for insulated duct system. Duct to duct connector (GD818SSCI) to connect two lengths of duct.

### Technical Specification

Height	62.2 mm
Width	206.2 mm
Depth	60 mm



## Consultant Specification

### Specification

The pre-insulated ductwork shall be constructed of graphite impregnated expanded polystyrene (EPS) with a density of 25 kg/m<sup>3</sup> and thermal resistance of 0.666 m<sup>2</sup>K/W. It shall be fully tested to meet the thermal conductivity requirements of [BASF-EN13163](#) and be flame retardant to [DIN 4102-B1](#).

It shall have an operating temperature range of -15 to +60°C and not be designed to exceed flowrates with a velocity in excess of 3 m/s. The ductwork shall exceed [DW/143](#) Class A leakage test and meet the [DW/154](#) ductwork standard.

## BIM/CAD Components

If you would like to download the BIM / CAD files for this or any other of our products then please visit our BIM library.

[TO VISIT OUR BIM/CAD LIBRARY](#)

[CLICK HERE](#)

## Installation Instructions

If you would like to download the installation files for this or any other of our products then please visit our download page by clicking the link below.

[TO VISIT OUR DOWNLOAD PAGE](#)

[CLICK HERE](#)