

Zehnder Internal grilles and valves

Product data sheet

always the best climate



Internal grilles and valves

With terminals for wall, floor or ceiling offering fixed louvre decorative terminals to fully adjustable and lockable valves offering the Coandă effect Zehnder has an extensive range of internal grilles and valves to suit any room design.

The Zehnder grilles and valves can be used with out wide range of ductwork such as our rigid PVC, steel or ComfoTube semi-rigid.

Key Features

- Wide range of styles and finishes
- Fixed louvre options
- Slot diffuser options
- Adjustable and lockable options
- Coandă effect options
- iF Design Award winning terminals
- Easy to clean
- Floor, wall and ceiling mounting options

Article Numbers

Description	Product Code
ø 100 mm supply/extract grilles	
Extract/supply ceiling valve, ø 100 mm, white	GG47W
Supply valve, ø 100 mm, galvanised steel	KE100
Extract valve, ø 100 mm, galvanised steel	KSO100
Supply air valve, ø 100 mm, galvanised steel	990 326 251
Extract air valve, ø 100/125 mm, STC 1-100/125	705 051 021
ø 125 mm supply/extract grilles	
Extract/supply ceiling valve, ø 125 mm, white	GG68
Supply valve, ø 125 mm, galvanised steel	KE125
Extract valve, ø 125 mm, galvanised steel	KSO125
Extract air valve, ø 125 mm, STB-1-125	705 512 521
Luna valve	
ComfoValve Luna S125, supply valve, 125 mm, white	705 613 126
ComfoValve Luna S125, supply valve, 125 mm, white, pack of 24	705 613 125
ComfoValve Luna E125, extract valve with filter, 125 mm, white	705 613 127
ComfoValve Luna E125, extract valve, 125 mm, white	705 613 128
ComfoValve Luna E125, extract valve, 125 mm, white, pack of 24	705 613 129
ø 150 mm supply/extract grilles	
Extract/supply ceiling valve, ø 150 mm, white	GG67W
CLD decorative grilles	
Roma rectangular decorative grille for CLD/P, 260 x 160 mm, stainless steel	990 320 610
Roma rectangular decorative grille for CLD/P, 260 x 160 mm, white	990 320 611
Roma rectangular decorative grille for CLD/P, 300 x 200 mm, stainless steel	990 320 612
Pisa rectangular decorative grille for CLD/P, 260 x 160 mm, stainless steel	990 320 620
Pisa rectangular decorative grille for CLD/P, 260 x 160 mm, white	990 320 621
Pisa rectangular decorative grille for CLD/P, 300 x 200 mm, stainless steel	990 320 622
Torino rectangular decorative grille for CLD/P, 260 x 160 mm, stainless steel	990 320 630
Torino rectangular decorative grille for CLD/P, 260 x 160 mm, white	990 320 631
Torino rectangular decorative grille for CLD/P, 300 x 200 mm, stainless steel	990 320 632
Venezia rectangular decorative grille for CLD/P, 260 x 160 mm, stainless steel	990 320 640
Venezia rectangular decorative grille for CLD/P, 260 x 160 mm, white	990 320 641
Venezia rectangular decorative grille for CLD/P, 300 x 200 mm, stainless steel	990 320 642
Genua rectangular decorative grille for CLD/P, 260 x 160 mm, stainless steel	990 320 660
Genua rectangular decorative grille for CLD/P, 260 x 160 mm, white	990 320 661

Article Numbers

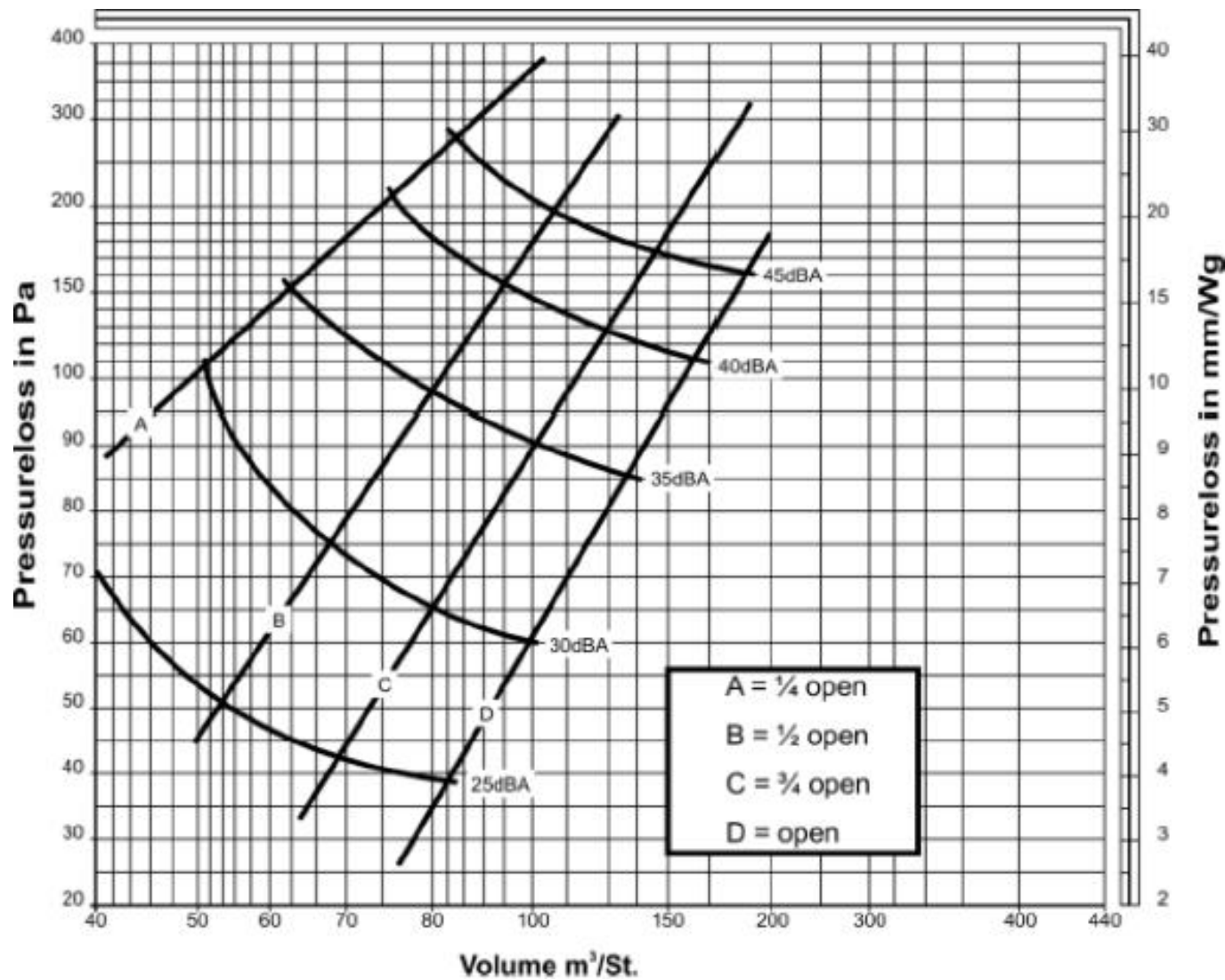
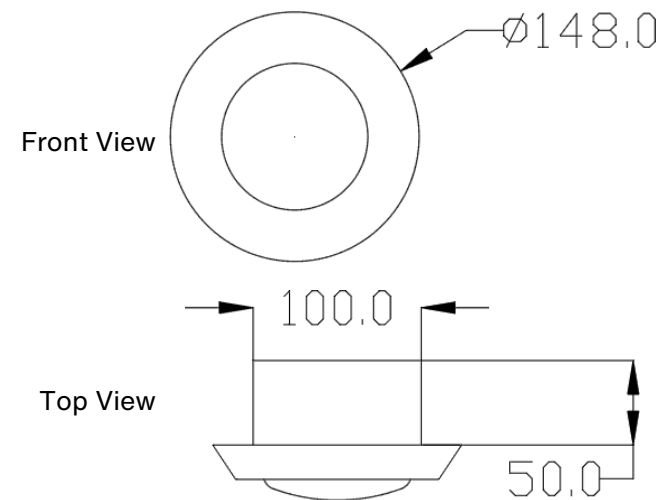
Description	Product Code
TVA or CLRF decorative grilles	
Venezia round decorative grille for TVA/P or CLRF, ø 125 mm, stainless steel	990 320 780
Venezia round decorative grille for TVA/P or CLRF, ø 125 mm, white	990 320 781
Torino round decorative grille for TVA/P or CLRF, ø 125 mm, stainless steel	990 320 790
Torino round decorative grille for TVA/P or CLRF, ø 125 mm, white	990 320 791
Torino square decorative grille for TVA/P or CLRF, ø 125 mm, white	990 320 792
Venezia square decorative grille for TVA/P or CLRF, ø 125 mm, stainless steel	990 322 089
Venezia square decorative grille for TVA/P or CLRF, ø 125 mm, white	990 322 090
Sans Soucis round decorative grille for TVA/P or CLRF, ø 125 mm, stainless steel	990 322 116
Sans Soucis round decorative grille for TVA/P or CLRF, ø 125 mm, white	990 322 117
Sacre Coeur round decorative grille for TVA/P or CLRF, ø 125 mm, stainless steel	990 322 118
Sacre Coeur round decorative grille for TVA/P or CLRF, ø 125 mm, white	990 322 119
CLF decorative grilles	
Rectangular decorative grille for CLF, 335 x 110 mm, plastic, white	990 322 001
Roma rectangular decorative grille for CLF, 350 x 130 mm, white	990 322 080
Roma rectangular decorative grille for CLF, 350 x 130 mm, stainless steel	990 322 081
Pisa rectangular decorative grille for CLF, 350 x 130 mm, white	990 322 082
Pisa rectangular decorative grille for CLF, 350 x 130 mm, stainless steel	990 322 083
Torino rectangular decorative grille for CLF, 350 x 130 mm, white	990 322 084
Torino rectangular decorative grille for CLF, 350 x 130 mm, stainless steel	990 322 085
Venezia rectangular decorative grille for CLF, 350 x 130 mm, white	990 322 086
Venezia rectangular decorative grille for CLF, 350 x 130 mm, stainless steel	990 322 087
Lamina/Bilamina/ComfoGrid slot diffusers	
Slot diffuser, Bilamina 400 rectangular grille for CSB/P 400, aluminium	990 321 640
Slot diffuser, Bilamina 600 rectangular grille for CSB/P 600, aluminium	990 321 660
Slot diffuser, Lamina 400 rectangular grille for CSB/P 400, aluminium	990 321 740
Slot diffuser, Lamina 400 rectangular grille for CSB/P 400, white	988 321 741
Slot diffuser, Lamina 600 rectangular grille for CSB/P 600, aluminium	990 321 760
Slot diffuser, ComfoGrid Linea 400 for CSB-P 400, black	990 321 790
Slot diffuser, ComfoGrid Linea 400 for CSB-P 400, white	990 321 791
Slot diffuser, ComfoGrid Linea 400 for CSB-P 400, stainless steel	990 321 792
Slot diffuser, ComfoGrid Linea 600 for CSB-P 600, black	990 321 793
Slot diffuser, ComfoGrid Linea 600 for CSB-P 600, white	990 321 794
Slot diffuser, ComfoGrid Linea 600 for CSB-P 600, stainless steel	990 321 795
Renoventil supply/extract grilles	
Rectangular decorative grille for Renoventil, 180 x 112 mm, white	990 326 253
Circular decorative coanda effect grille for Renoventil, ø 90 mm, white	990 326 254
Fire rated supply/exhaust grilles	
125 mm Round White Metal Fire Rated Extract Ceiling Valve	GG125FREX
125 mm Round White Metal Fire Rated Supply Ceiling Valve	GG125FRSV
Extract valve, ø 100 mm, fire rated, galvanised steel	KSOP100

Extract/supply ceiling valve, ø 100 mm, white

Article number: GG47W

Technical Specification

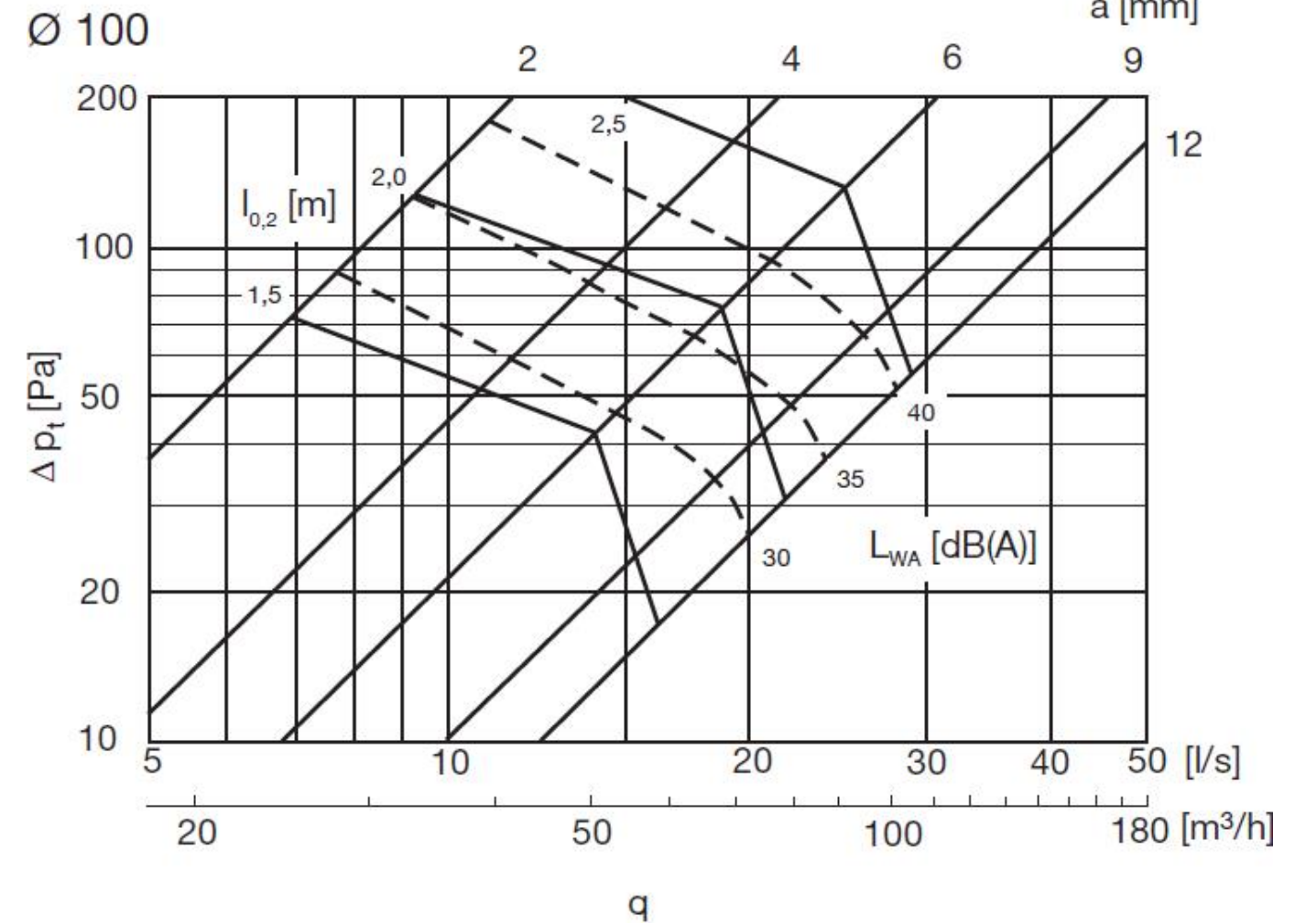
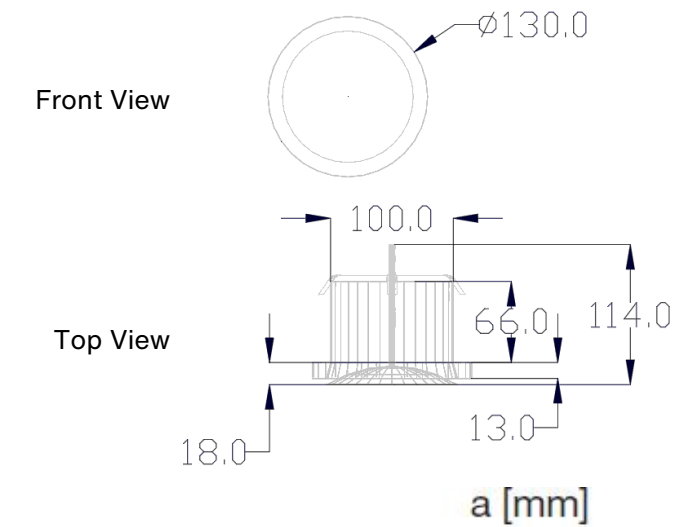
Finish	White (RAL 9010)
Spigot diameter	99.6 mm
Spigot length	58 mm
Facia diameter	140 mm
Weight	0.15 kg
Lockable	Yes
Adjustable	Yes
Info	Supplied with mounting collar
Rec. max flow	18 l/s (65 m ³ /h)

**Dimensions****Supply valve, ø 100 mm, galvanised steel**

Article number: KE100

Technical Specification

Finish	White (RAL 9010)
Spigot diameter	100 mm
Spigot length	66 mm
Facia diameter	130 mm
Weight	0.21 kg
Lockable	Yes
Adjustable	Yes
Info	Supplied with bayonet socket
Rec. max flow	15 l/s (54 m ³ /h)

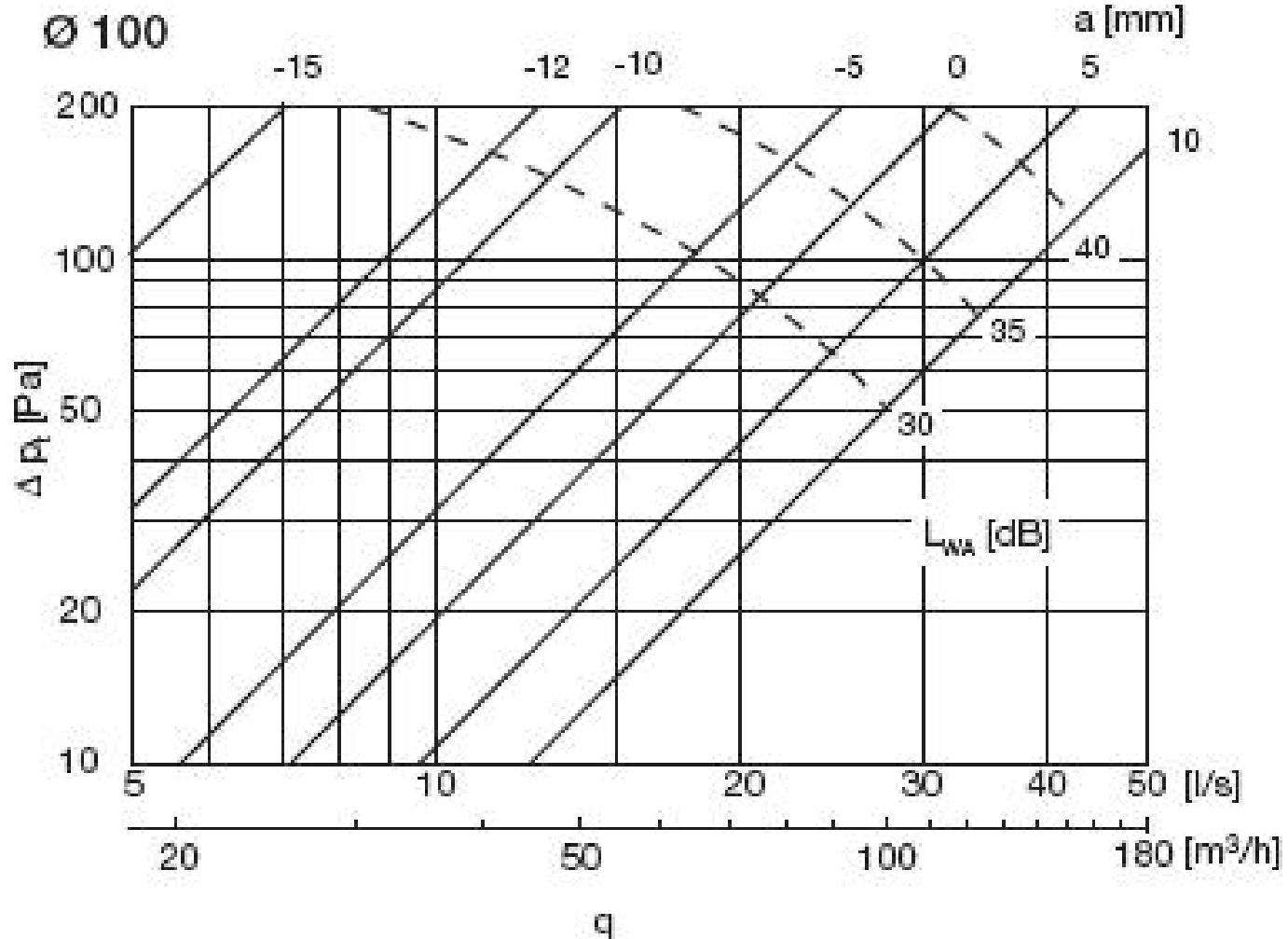
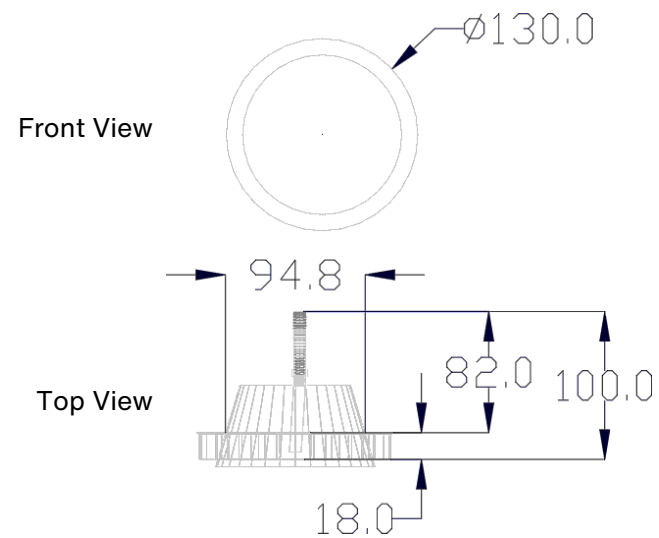
**Dimensions**

Extract valve, ø 100 mm, galvanised steel

Article number: KSO100

Technical Specification

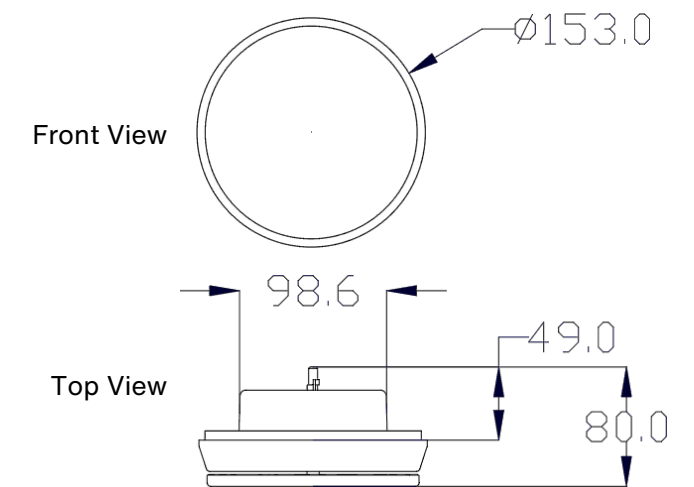
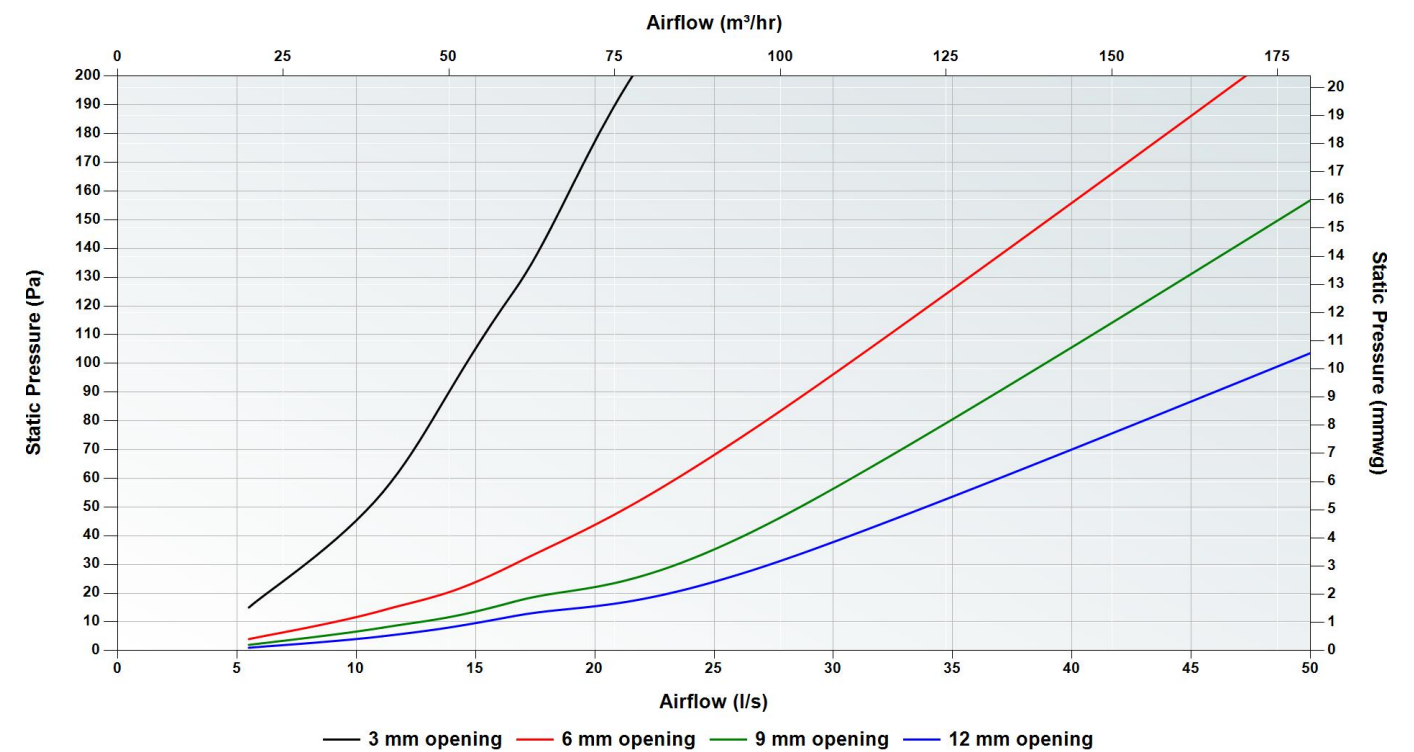
Finish	White (RAL 9010)
Spigot diameter	100 mm
Spigot length	82 mm
Facia diameter	130 mm
Weight	0.3 kg
Lockable	Yes
Adjustable	Yes
Info	Supplied with bayonet socket
Rec. max flow	15 l/s (54 m ³ /h)

**Dimensions****Supply air valve, ø 100 mm, galvanised steel**

Article number: 990 326 251

Technical Specification

Finish	White (RAL 9010)
Spigot diameter	98.6 mm
Spigot length	49 mm
Facia diameter	153 mm
Weight	0.43 kg
Lockable	Yes
Adjustable	Yes
Info	Supplied with bayonet socket
Rec. max flow	8.3 l/s (30 m ³ /h)

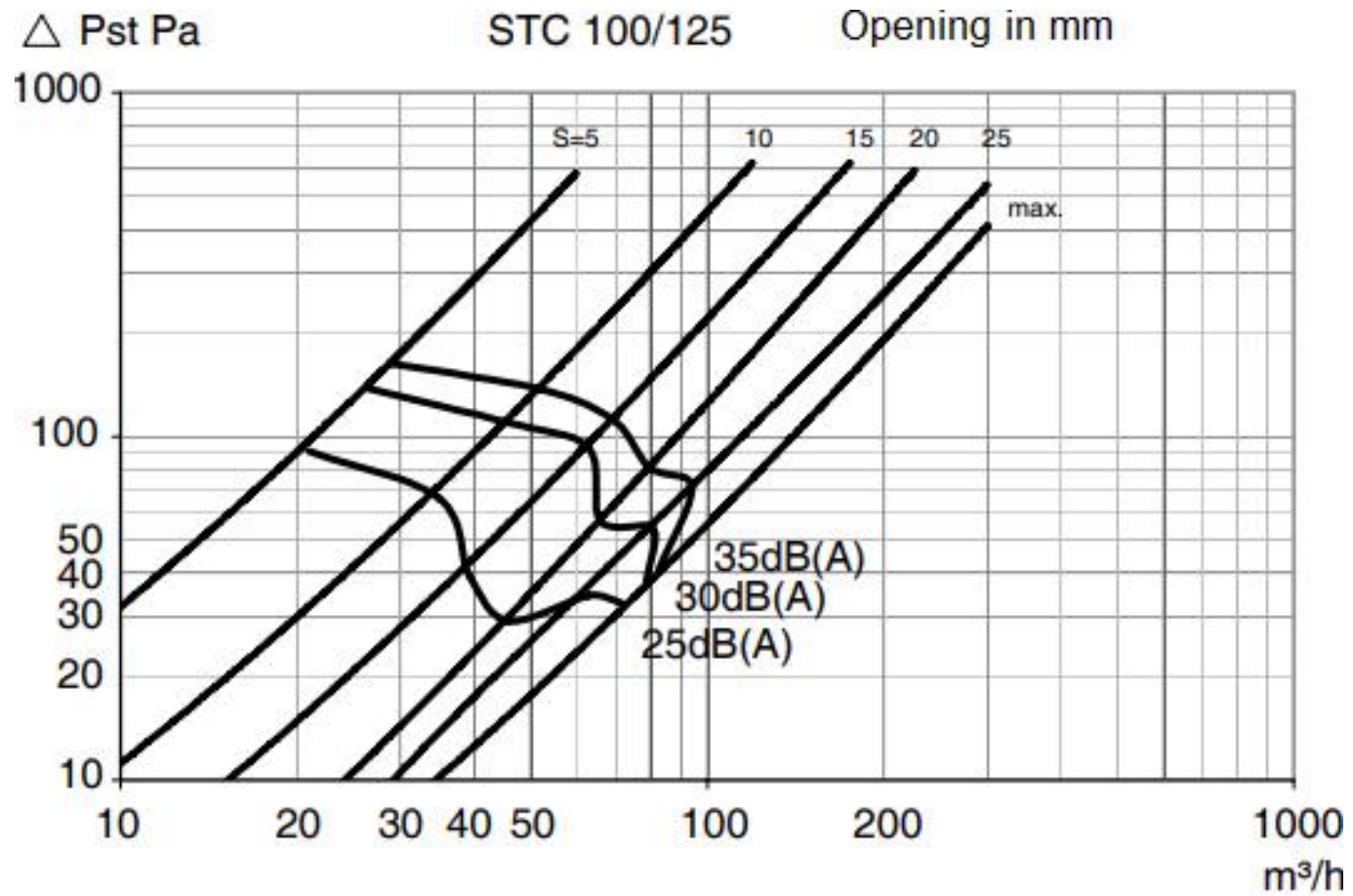
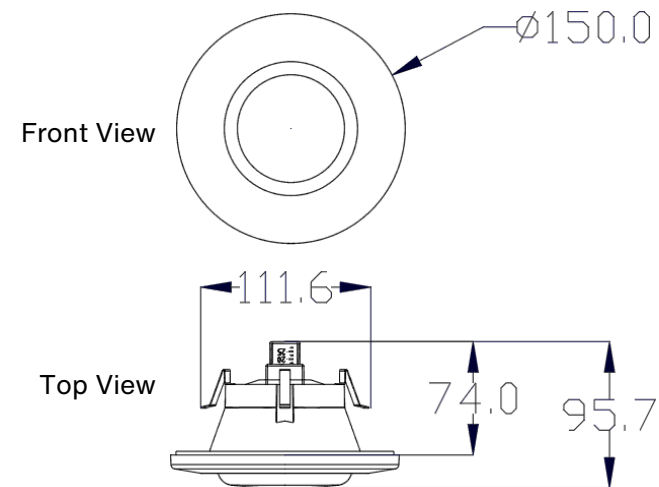
**Dimensions****Pressure Curve**

Extract air valve, ø 100/125 mm, STC 1-100/125

Article number: 705 051 021

Technical Specification

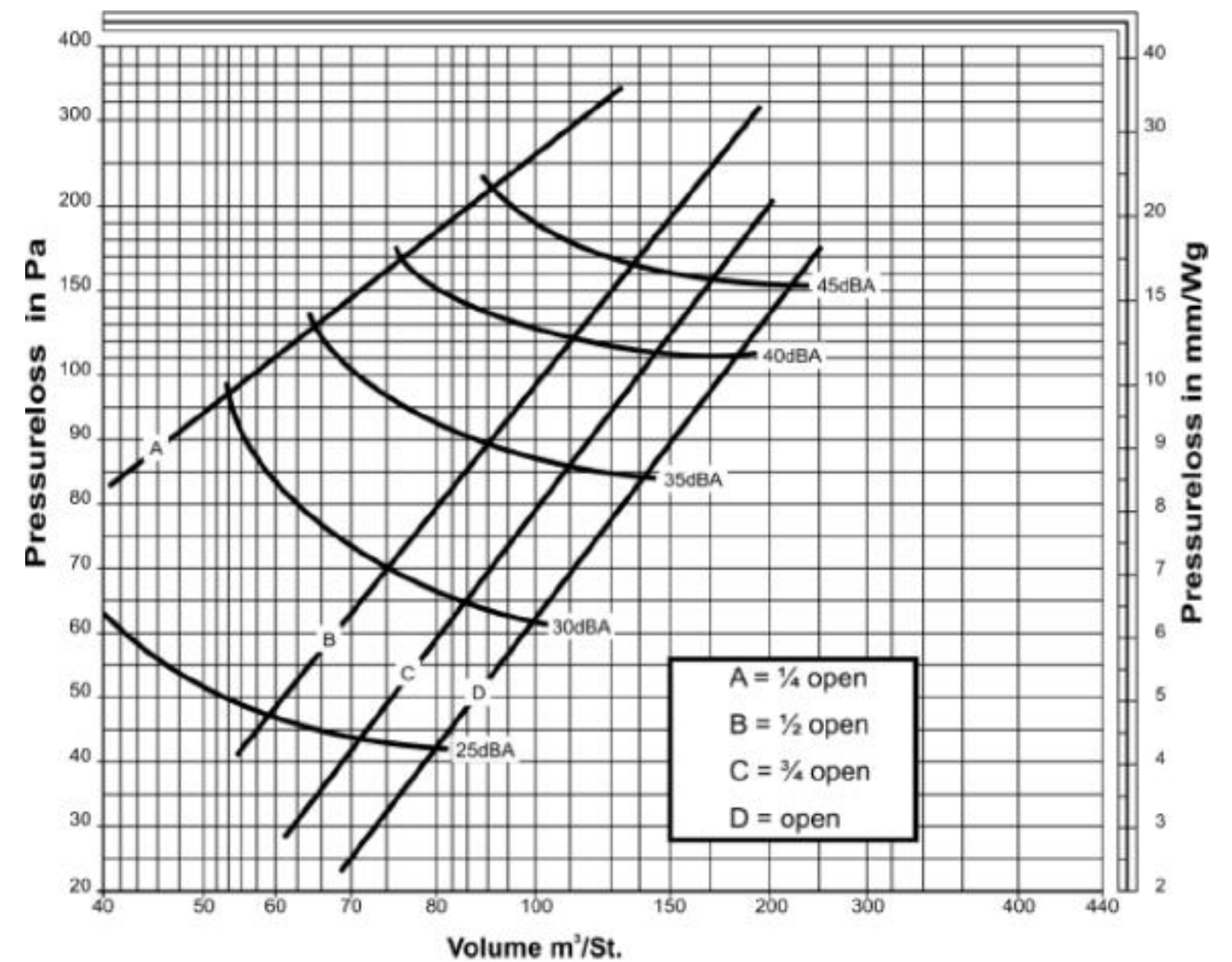
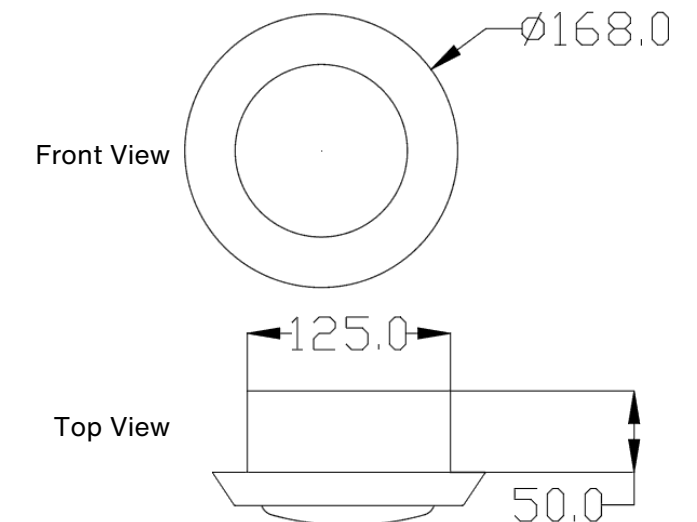
Finish	White (RAL 9010)
Spigot diameter	Adjustable to fit 100-125 mm duct
Spigot length	74 mm
Facia diameter	150 mm
Weight	0.1 kg
Lockable	Yes
Adjustable	Yes
Info	Suitable for ø 100 and 125 mm ductwork
Rec. max flow	16.7 l/s (60 m ³ /hr)

**Dimensions****Extract/supply ceiling valve, ø 125 mm, white**

Article number: GG68

Technical Specification

Finish	White (RAL 9010)
Spigot diameter	125 mm
Spigot length	50 mm
Facia diameter	168 mm
Weight	0.22 kg
Lockable	Yes
Adjustable	Yes
Info	Supplied with mounting collar
Rec. max flow	20.8 l/s (75 m ³ /h)

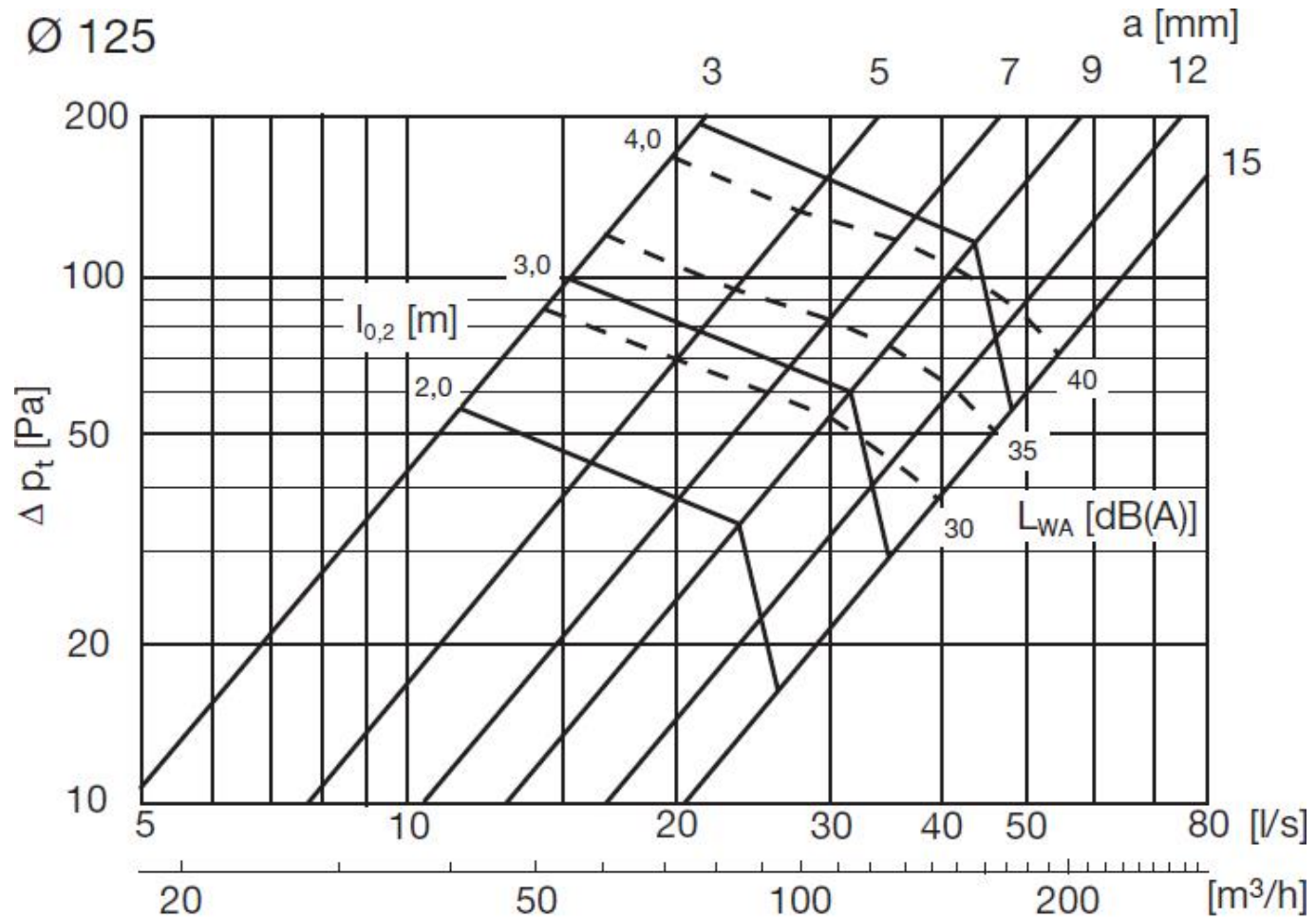
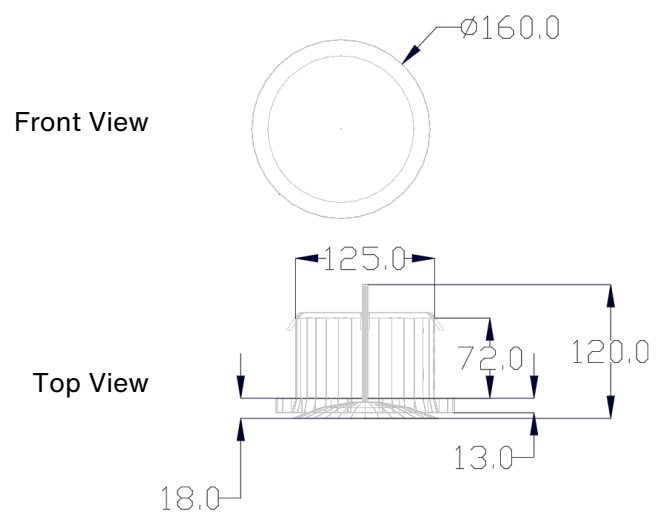
**Dimensions**

Supply valve, Ø 125 mm, galvanised steel

Article number: KE125

Technical Specification

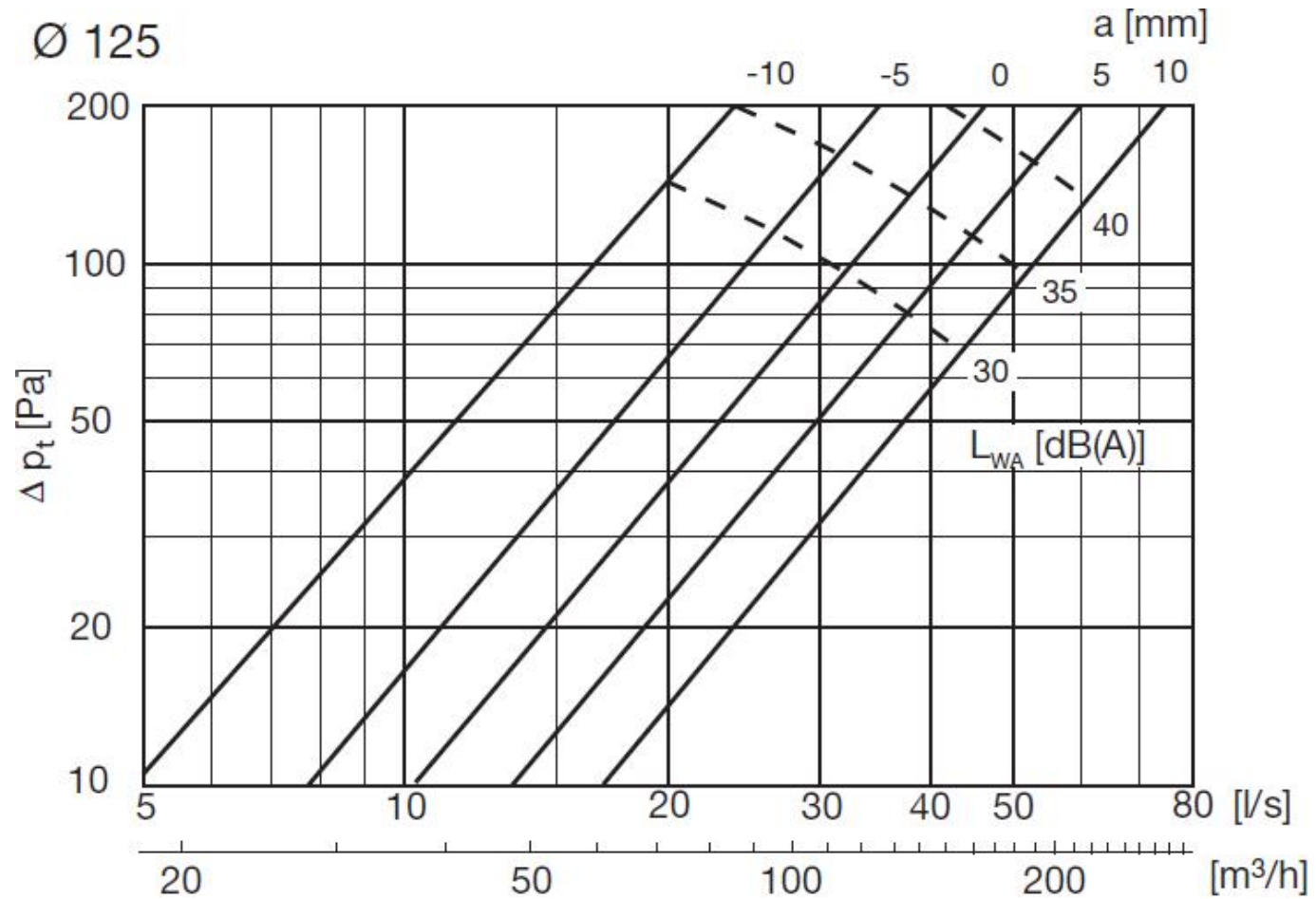
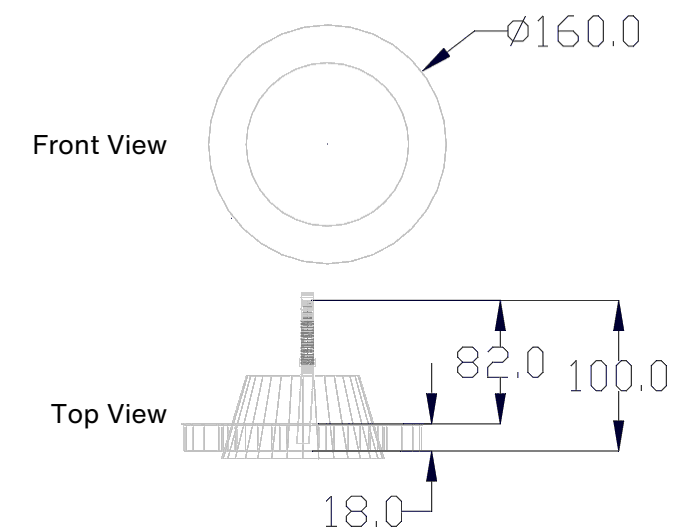
Finish	White (RAL 9010)
Spigot diameter	125 mm
Spigot length	72 mm
Facia diameter	160 mm
Weight	0.3 kg
Lockable	Yes
Adjustable	Yes
Info	Supplied with bayonet socket
Rec. max flow	25 l/s (90 m ³ /h)

**Dimensions****Extract valve, Ø 125 mm, galvanised steel**

Article number: KSO125

Technical Specification

Finish	White (RAL 9010)
Spigot diameter	125 mm
Spigot length	82 mm
Facia diameter	160 mm
Weight	0.39 kg
Lockable	Yes
Adjustable	Yes
Info	Supplied with bayonet socket
Rec. max flow	33.3 l/s (120 m ³ /h)

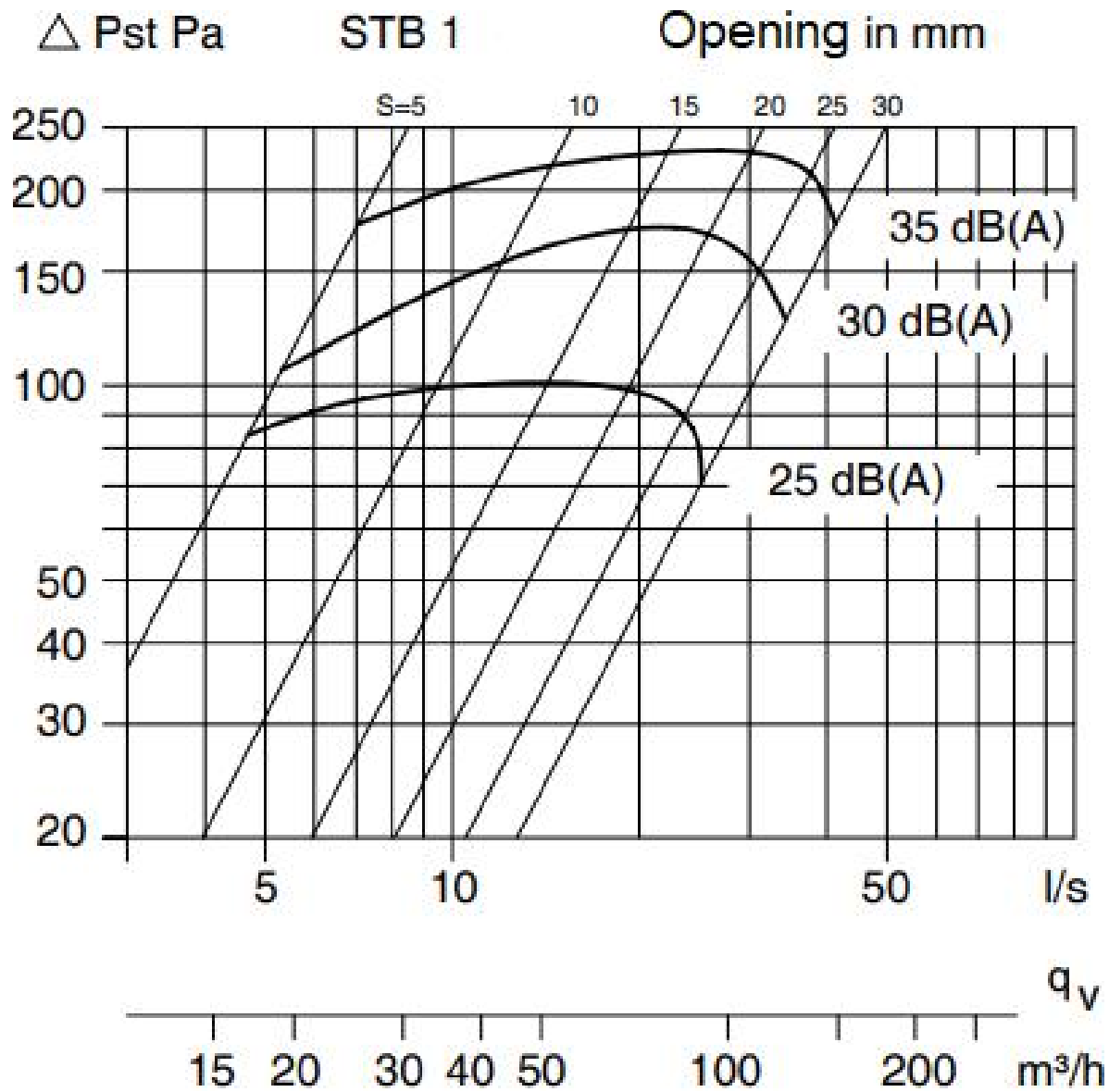
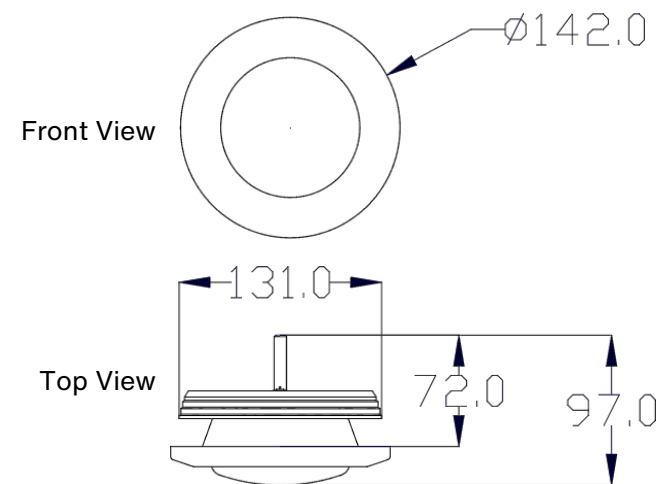
**Dimensions**

Extract air valve, ø 125 mm, STB-1-125

Article number: 705 512 521

Technical Specification

Finish	White (RAL 9010)
Spigot diameter	131 mm
Spigot length	72 mm
Facia diameter	142 mm
Weight	0.41 kg
Lockable	No
Adjustable	Yes
Info	Simple, fast installation thanks to the rubber installation/sealing ring
Rec. max flow	18 l/s (65 m ³ hr)

**Dimensions****ComfoValve Luna S125, supply valve, 125 mm, white**

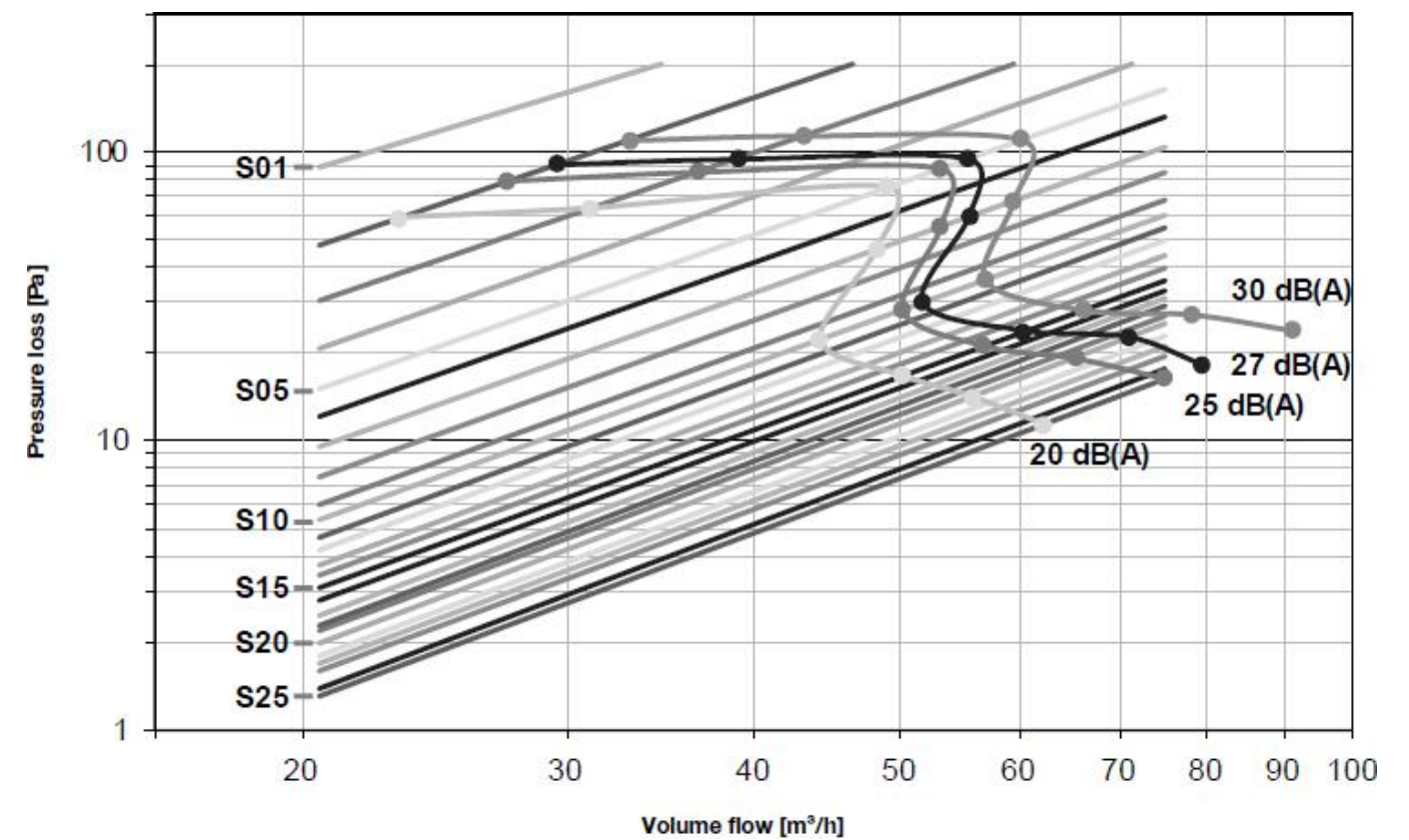
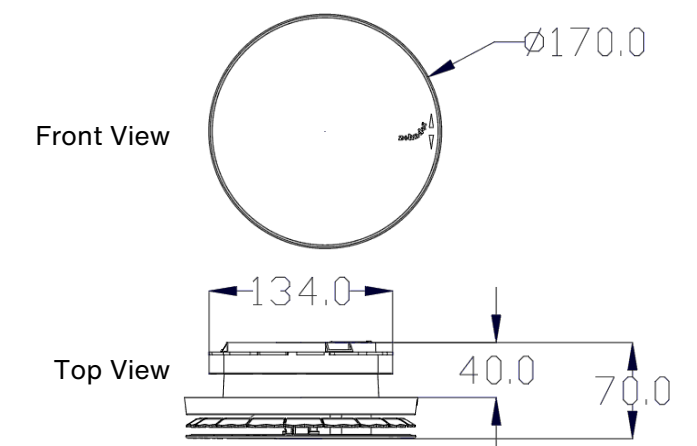
Article number: 705 613 126 / 705 613 125

Technical Specification

Finish	White (RAL 9003)
Quantity	1 / 24
Spigot diameter	125 mm
Spigot length	40 mm
Facia diameter	170 mm
Weight	0.31 kg
Lockable	Yes
Adjustable	Yes
Spare parts	Replacement rubber seal - 705 000 800 Replacement front cover - 705 613 002 Air Blocker - 705 613 001

Info

Minimal height of just 30 mm, regardless of the selected air volume setting
 Optimised outflow area for silent and draught-free air supply due to the Coandă effect
 Tool-free installation, adjustment and maintenance
 The inside of the valve can be labelled to document the selected setting
 The air flow setting locking mechanism prevents unintentional changes to the settings, for example during cleaning
 Zehnder Air Blocker valve insert (705 613 001) limits outflow angle to 240° to protect sensitive living areas, e.g. above doors
 Discreet and timeless design
 Rec. max flow 20.8 l/s (75 m³hr)

**Dimensions**

ComfoValve Luna E125, extract valve

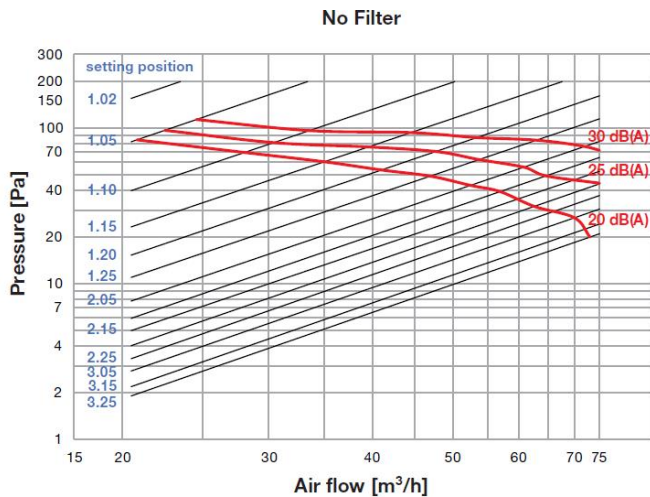
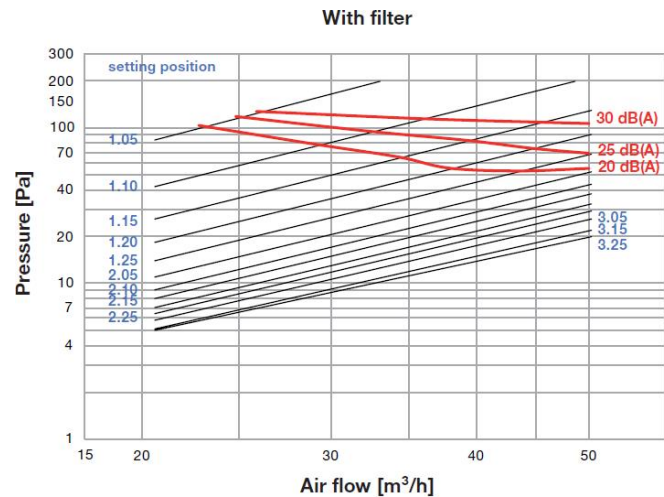
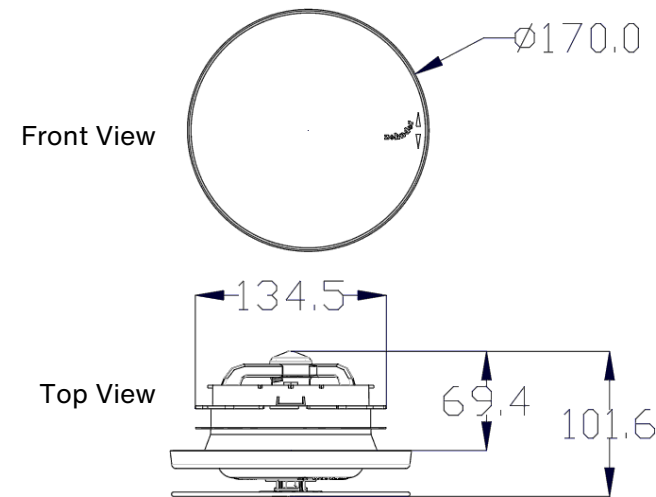
Article number: 705 613 127 / 705 613 128 / 705 613 129

Technical Specification

Finish	White (RAL 9003)
Quantity	1 / 1 / 24
Filter included	Yes / No / No
Spigot diameter	125 mm
Spigot length	72 mm
Facia diameter	170 mm
Weight	0.32 kg
Lockable	Yes
Adjustable	Yes
Spare parts	Replacement rubber seal - 705 000 800 Replacement front cover - 705 613 002 Filter - 990 320 031

Info

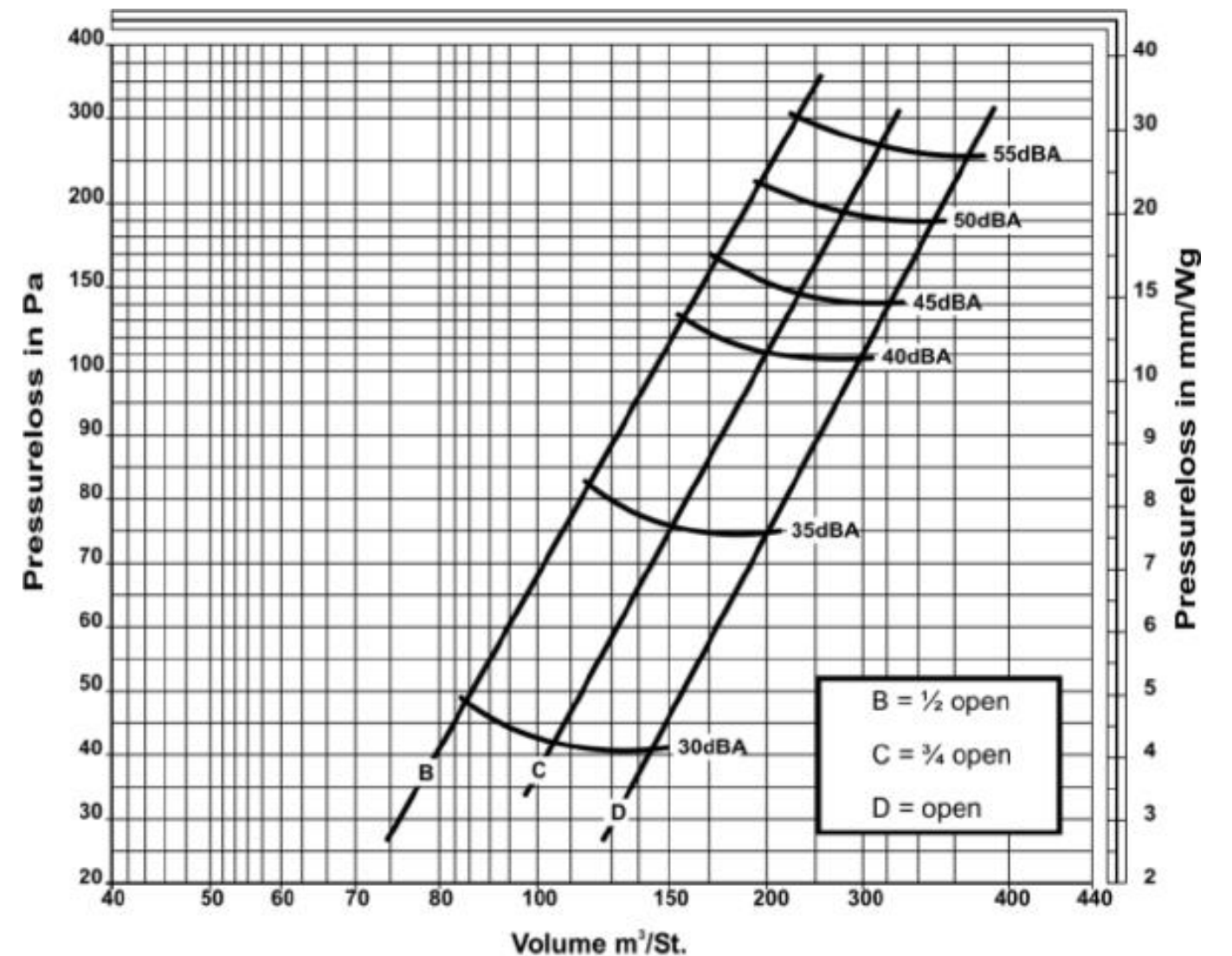
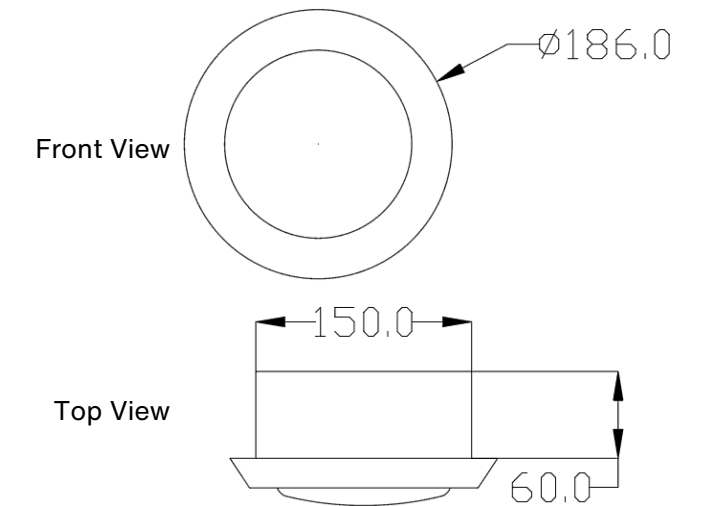
Minimal height of just 30 mm, regardless of the selected air volume setting
Tool-free installation, adjustment and maintenance
The inside of the valve can be labelled to document the selected setting
The air flow setting locking mechanism prevents unintentional changes to the settings, for example during cleaning
Discreet and timeless design
Rec. max flow 20.8 l/s (75 m³hr)

**Dimensions****Extract/supply ceiling valve, ø 150 mm, white**

Article number: GG67W

Technical Specification

Finish	White (RAL 9010)
Spigot diameter	150 mm
Spigot length	60 mm
Facia diameter	186 mm
Weight	0.3 kg
Lockable	Yes
Adjustable	Yes
Info	Supplied with mounting collar
Rec. max flow	25 l/s (90 m ³ hr)

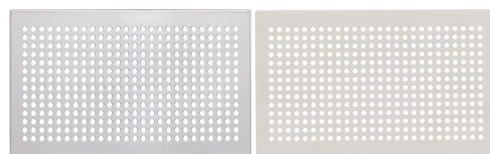
**Dimensions**

Roma rectangular decorative grille for CLD/P, 260 x 160 mm

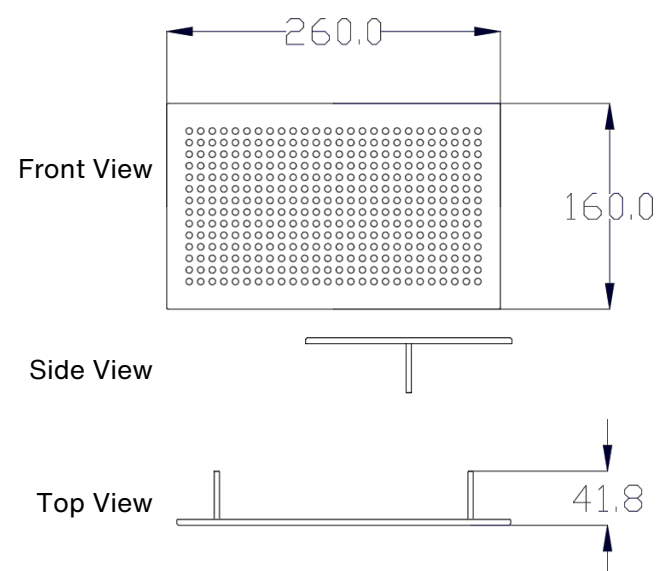
Article number: 990 320 610 / 990 320 611

Technical Specification

Finish	Stainless Steel / White (RAL 9016)
For use with	CLD or CLD-P grille housing
Height	160 mm
Width	260 mm
Depth	4.5 mm
Pin length	37 mm
Weight	0.29 kg
Lockable	Yes
Adjustable	Yes using adjustable airflow regulator (988 320 030 / 990 320 026 / 988 320 031 / 990 320 027)
Spare parts	Filter - 990 320 573 25 mm extension pin - 990 320 687 40 mm extension pin - 990 320 688
Info	For use in floor (stainless steel only), wall or ceiling applications.
Rec. max flow	13.8 l/s (50 m ³ /h)



Dimensions

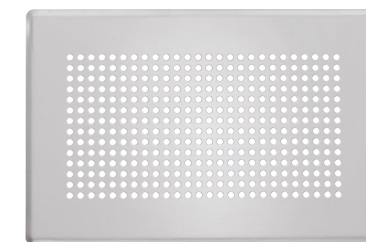


Roma rectangular decorative grille for CLD/P, 300 x 200 mm, stainless steel

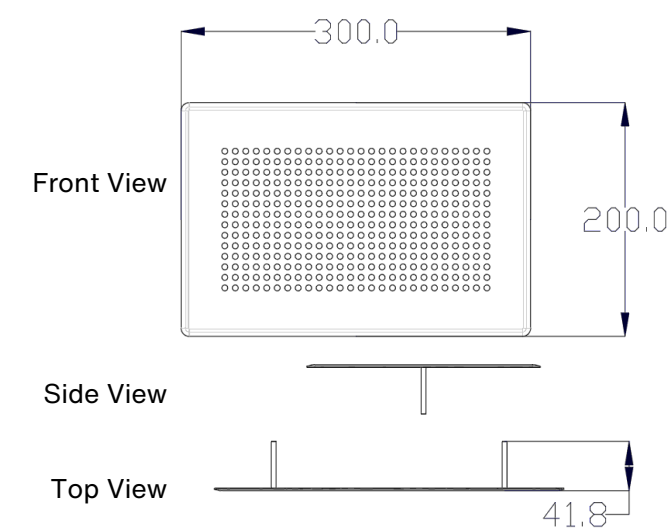
Article number: 990 320 612

Technical Specification

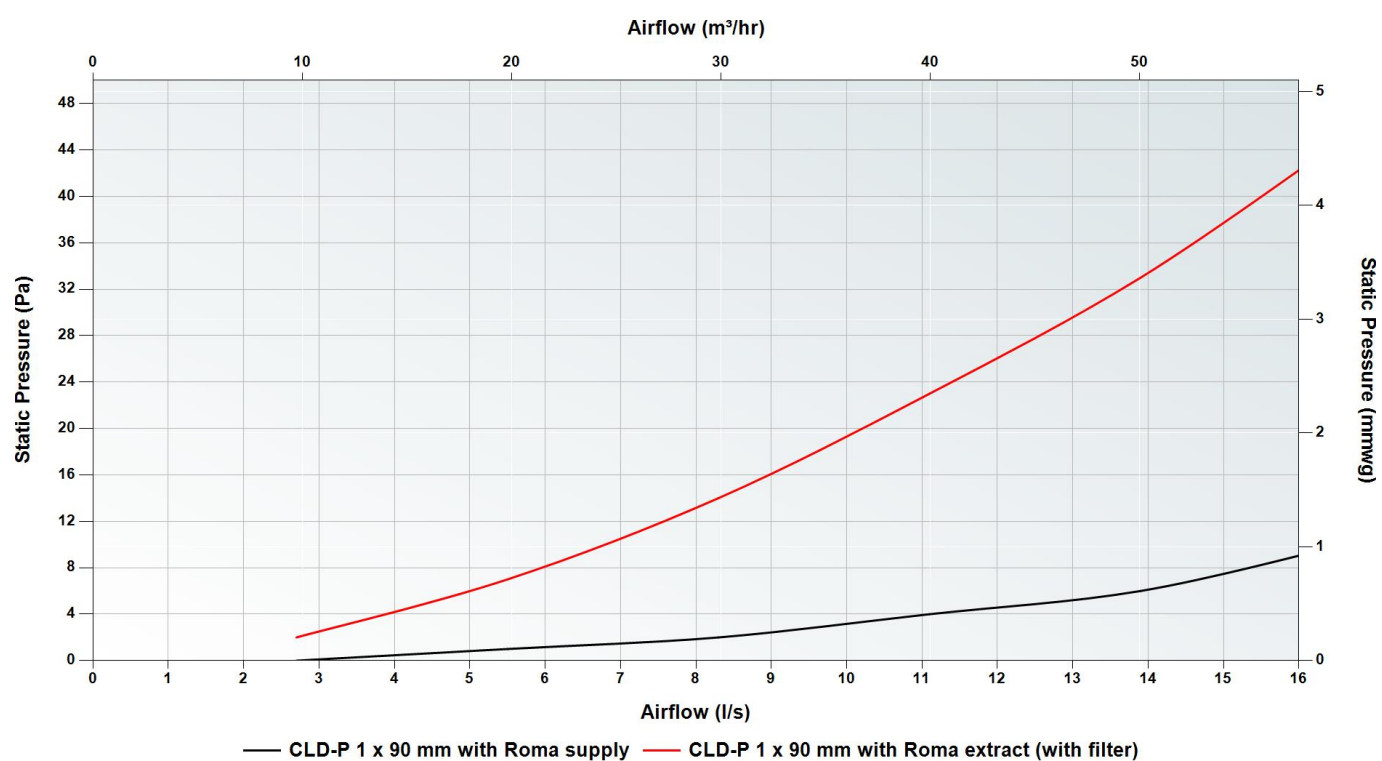
Finish	Stainless Steel
For use with	CLD or CLD-P grille housing
Height	200 mm
Width	300 mm
Depth	4.5 mm
Pin length	37 mm
Weight	0.42 kg
Lockable	Yes
Adjustable	Yes using adjustable airflow regulator (988 320 030 / 990 320 026 / 988 320 031 / 990 320 027)
Spare parts	Filter - 990 320 573 25 mm extension pin - 990 320 687 40 mm extension pin - 990 320 688
Info	For use in floor, wall or ceiling applications.
Rec. max flow	13.8 l/s (50 m ³ /h)



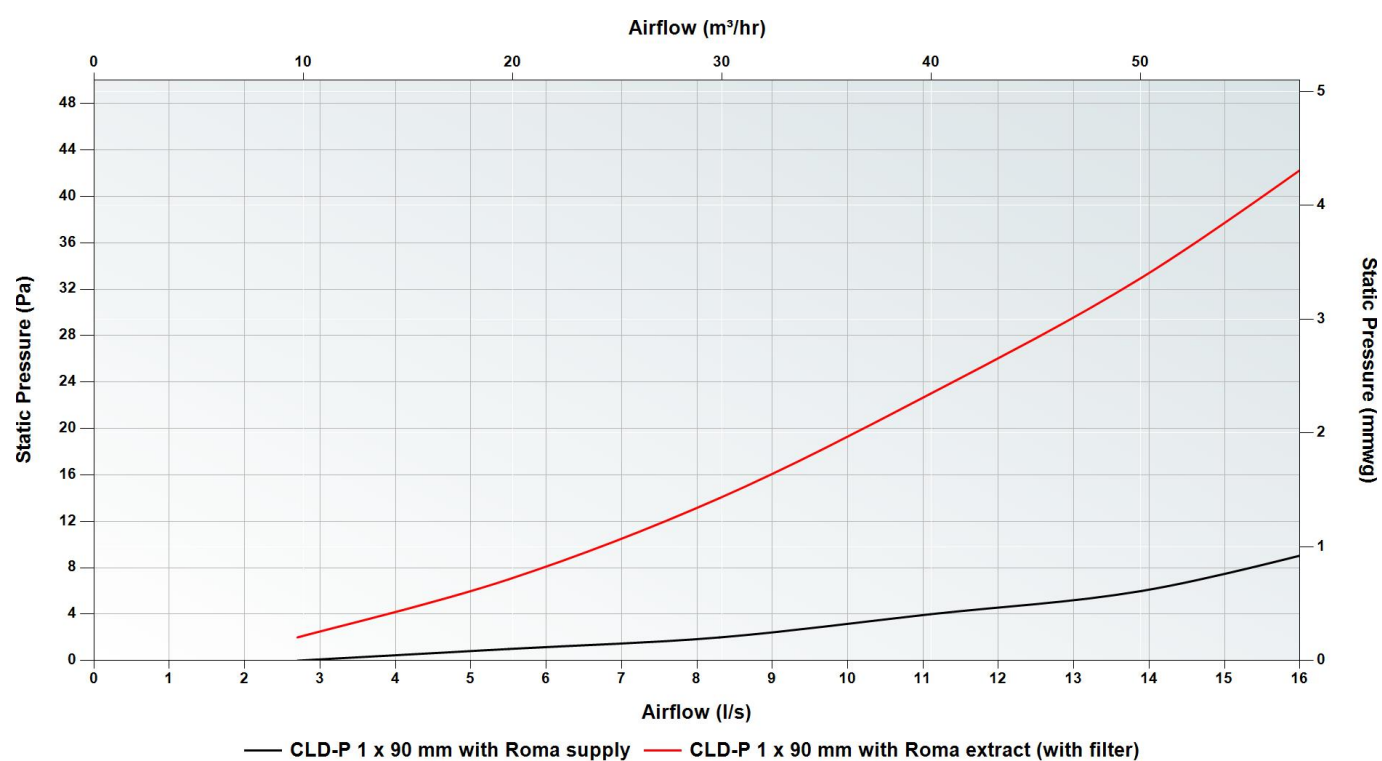
Dimensions



Pressure Curve



Pressure Curve



Sound Data

	Octave Band (Hz) Insertion Loss, dB							
	63	125	250	500	1000	2000	4000	8000
Supply - Including CLD-P with 1 x 90mm	≤0	10.5	1.9	1.5	8.5	5.3	7.9	11

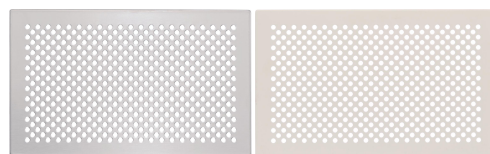
Acoustic performance measured according to [EN ISO 7235](#)

Pisa rectangular decorative grille for CLD/P, 260 x 160 mm

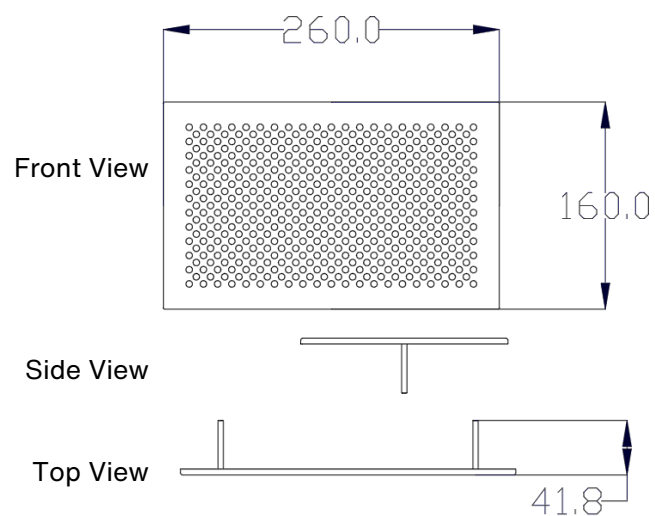
Article number: 990 320 620 / 990 320 621

Technical Specification

Finish	Stainless Steel / White (RAL 9016)
For use with	CLD or CLD-P grille housing
Height	160 mm
Width	260 mm
Depth	4.5 mm
Pin length	37 mm
Weight	0.27 kg
Lockable	Yes
Adjustable	Yes using adjustable airflow regulator (988 320 030 / 990 320 026 / 988 320 031 / 990 320 027)
Spare parts	Filter - 990 320 573 25 mm extension pin - 990 320 687 40 mm extension pin - 990 320 688
Info	For use in floor (stainless steel only), wall or ceiling applications.
Rec. max flow	13.8 l/s (50 m ³ /h)



Dimensions

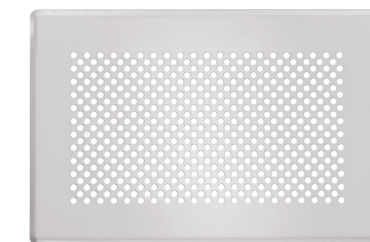


Pisa rectangular decorative grille for CLD/P, 300 x 200 mm, stainless steel

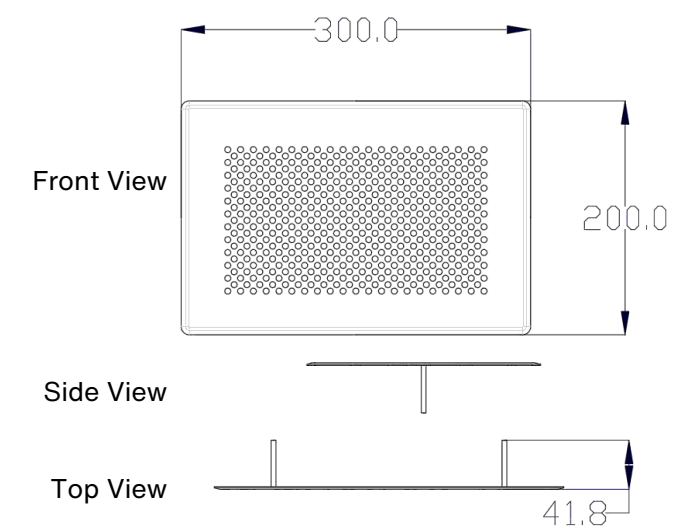
Article number: 990 320 622

Technical Specification

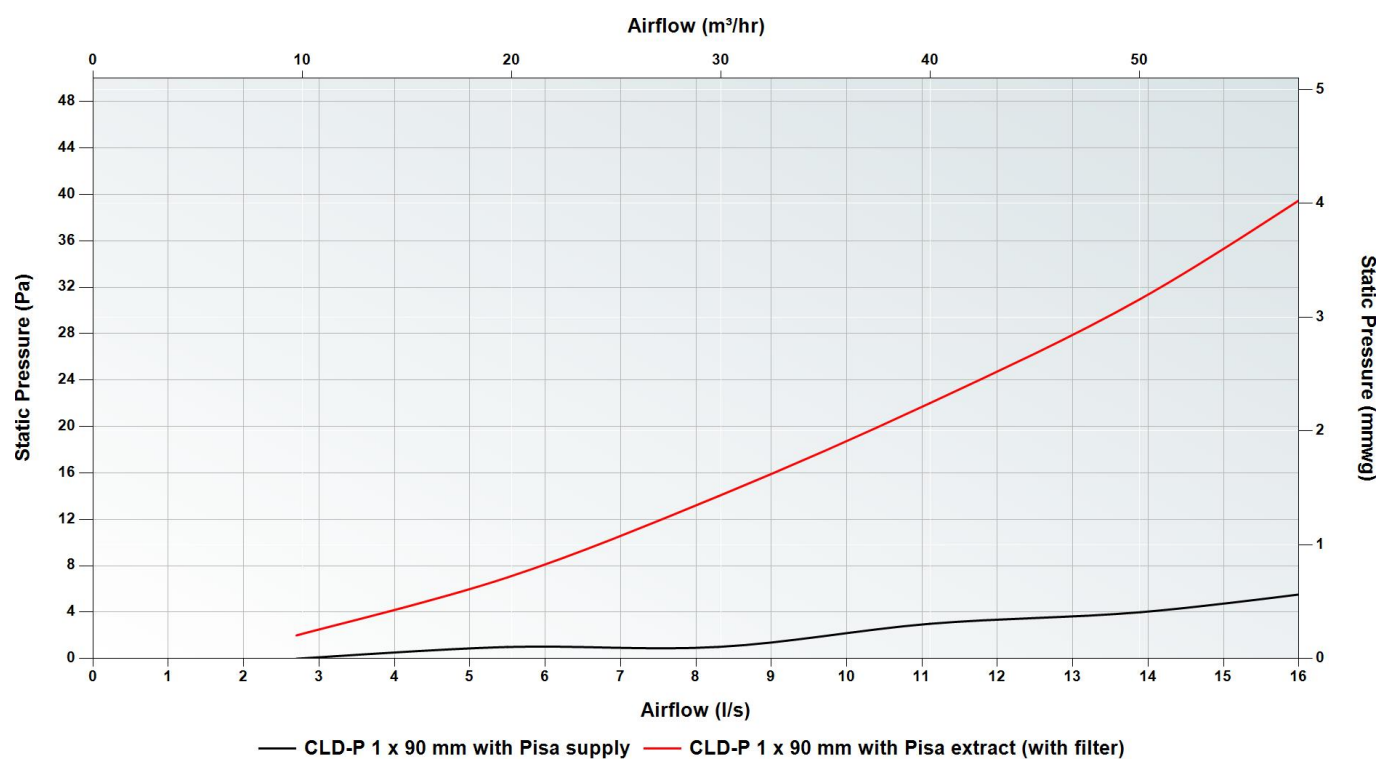
Finish	Stainless Steel
For use with	CLD or CLD-P grille housing
Height	200 mm
Width	300 mm
Depth	4.5 mm
Pin length	37 mm
Weight	0.41 kg
Lockable	Yes
Adjustable	Yes using adjustable airflow regulator (988 320 030 / 990 320 026 / 988 320 031 / 990 320 027)
Spare parts	Filter - 990 320 573 25 mm extension pin - 990 320 687 40 mm extension pin - 990 320 688
Info	For use in floor, wall or ceiling applications.
Rec. max flow	13.8 l/s (50 m ³ /h)



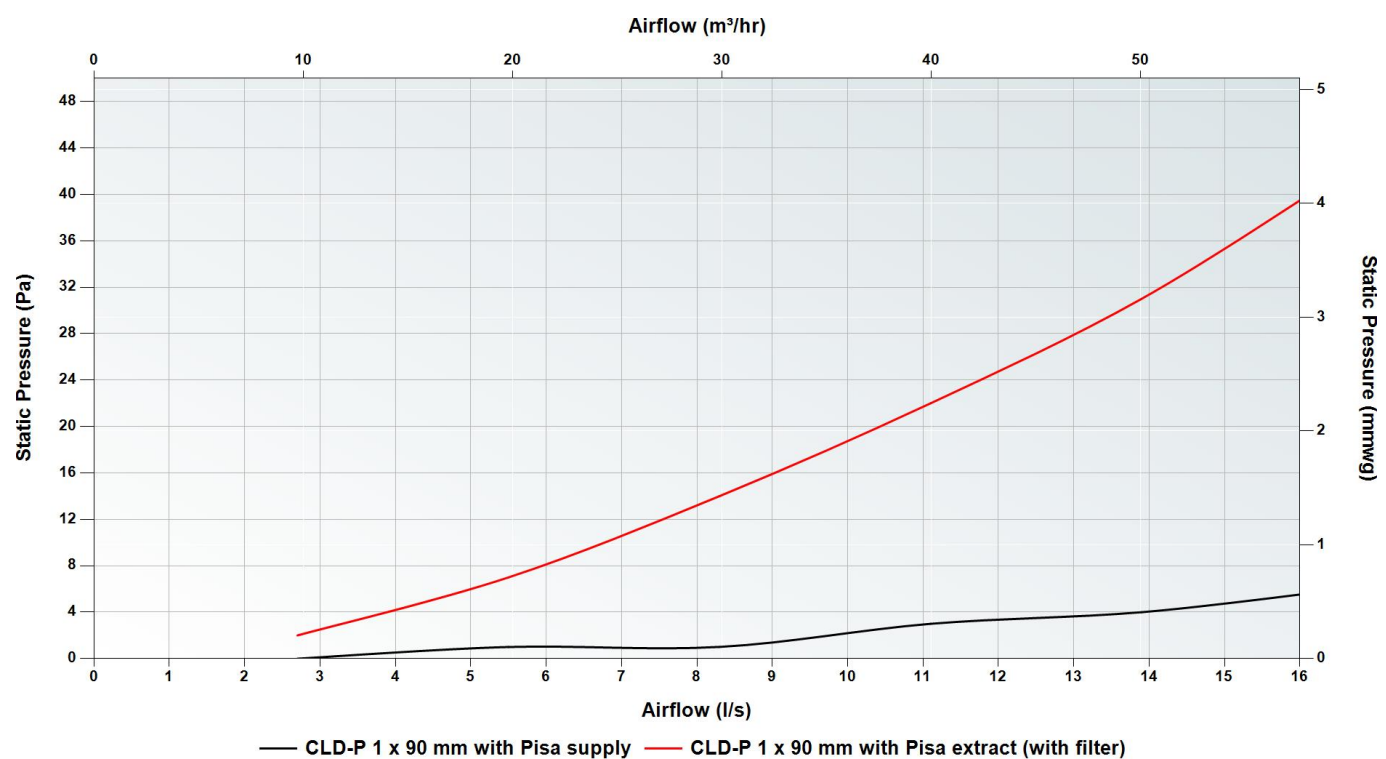
Dimensions



Pressure Curve



Pressure Curve



Sound Data

	Octave Band (Hz) Insertion Loss, dB							
	63	125	250	500	1000	2000	4000	8000
Supply - Including CLD-P with 1 x 90mm	0.2	10.5	2.1	1.6	8.4	5.2	7.8	10.8

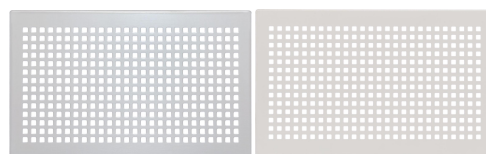
Acoustic performance measured according to [EN ISO 7235](#)

Torino rectangular decorative grille for CLD/P, 260 x 160 mm

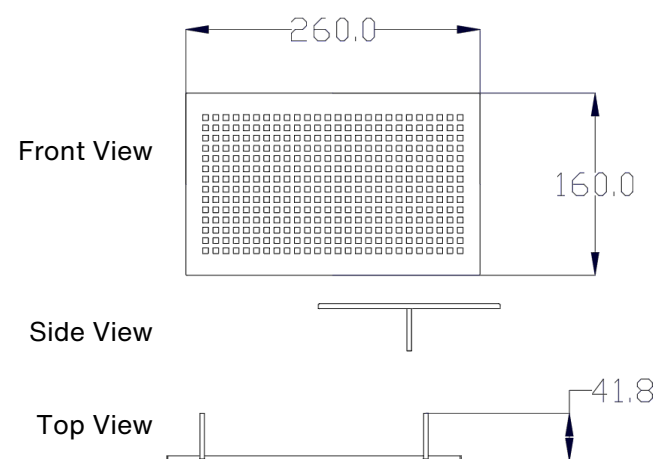
Article number: 990 320 630 / 990 320 631

Technical Specification

Finish	Stainless Steel / White (RAL 9016)
For use with	CLD or CLD-P grille housing
Height	160 mm
Width	260 mm
Depth	4.5 mm
Pin length	37 mm
Weight	0.27 kg
Lockable	Yes
Adjustable	Yes using adjustable airflow regulator (988 320 030 / 990 320 026 / 988 320 031 / 990 320 027)
Spare parts	Filter - 990 320 573 25 mm extension pin - 990 320 687 40 mm extension pin - 990 320 688
Info	For use in floor (stainless steel only), wall or ceiling applications.
Rec. max flow	13.8 l/s (50 m ³ /h)



Dimensions

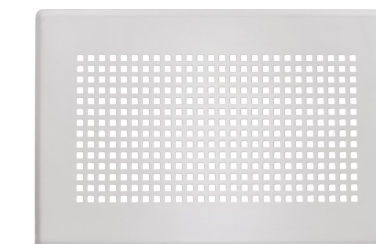


Torino rectangular decorative grille for CLD/P, 300 x 200 mm, stainless steel

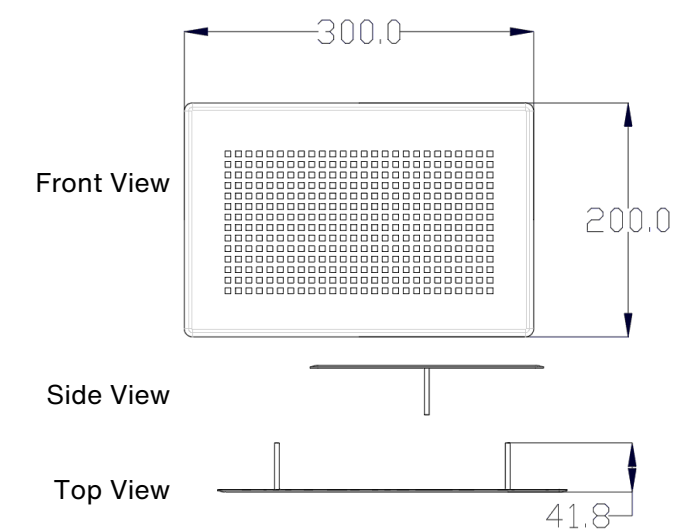
Article number: 990 320 632

Technical Specification

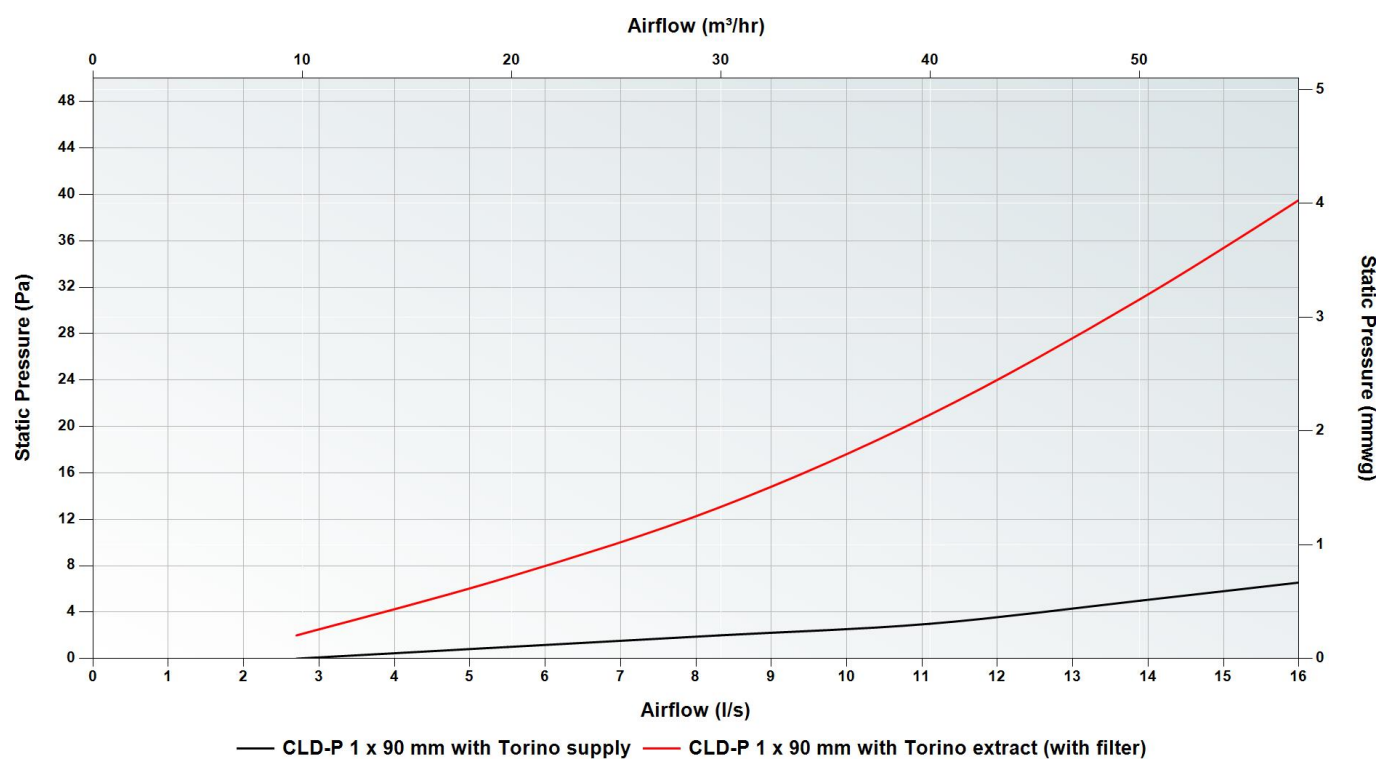
Finish	Stainless Steel
For use with	CLD or CLD-P grille housing
Height	200 mm
Width	300 mm
Depth	4.5 mm
Pin length	37 mm
Weight	0.41 kg
Lockable	Yes
Adjustable	Yes using adjustable airflow regulator (988 320 030 / 990 320 026 / 988 320 031 / 990 320 027)
Spare parts	Filter - 990 320 573 25 mm extension pin - 990 320 687 40 mm extension pin - 990 320 688
Info	For use in floor, wall or ceiling applications.
Rec. max flow	13.8 l/s (50 m ³ /h)



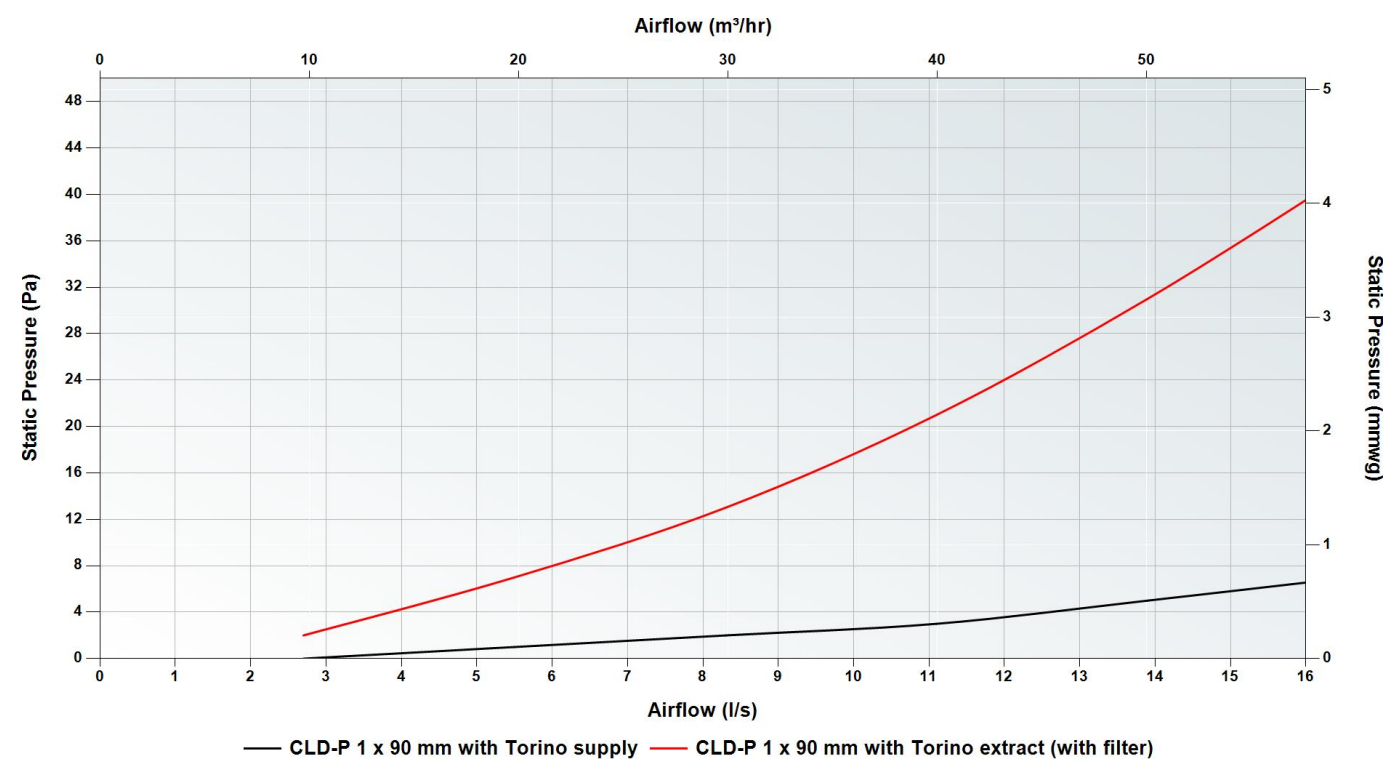
Dimensions



Pressure Curve



Pressure Curve



Sound Data

	Octave Band (Hz) Insertion Loss, dB							
	63	125	250	500	1000	2000	4000	8000
Supply - Including CLD-P with 1 x 90mm	0.3	10.5	2.1	1.6	8.3	5.2	7.8	10.9

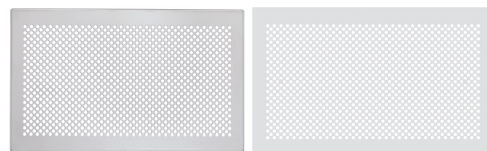
Acoustic performance measured according to [EN ISO 7235](#)

Venezia rectangular decorative grille for CLD/P, 260 x 160 mm

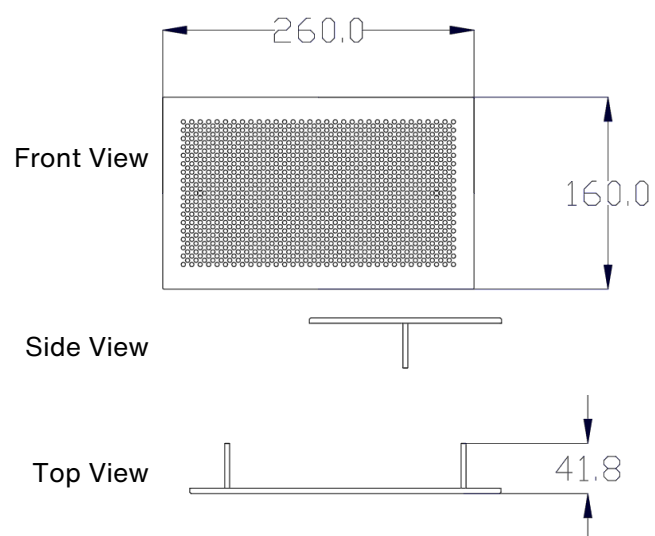
Article number: 990 320 640 / 990 320 641

Technical Specification

Finish	Stainless Steel / White (RAL 9016)
For use with	CLD or CLD-P grille housing
Height	160 mm
Width	260 mm
Depth	4.5 mm
Pin length	37 mm
Weight	0.26 kg
Lockable	Yes
Adjustable	Yes using adjustable airflow regulator (988 320 030 / 990 320 026 / 988 320 031 / 990 320 027)
Spare parts	Filter - 990 320 573 25 mm extension pin - 990 320 687 40 mm extension pin - 990 320 688
Info	For use in floor (stainless steel only), wall or ceiling applications.
Rec. max flow	13.8 l/s (50 m ³ /h)



Dimensions

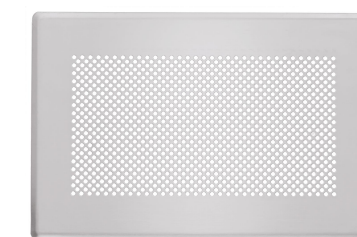


Venezia rectangular decorative grille for CLD/P, 300 x 200 mm, stainless steel

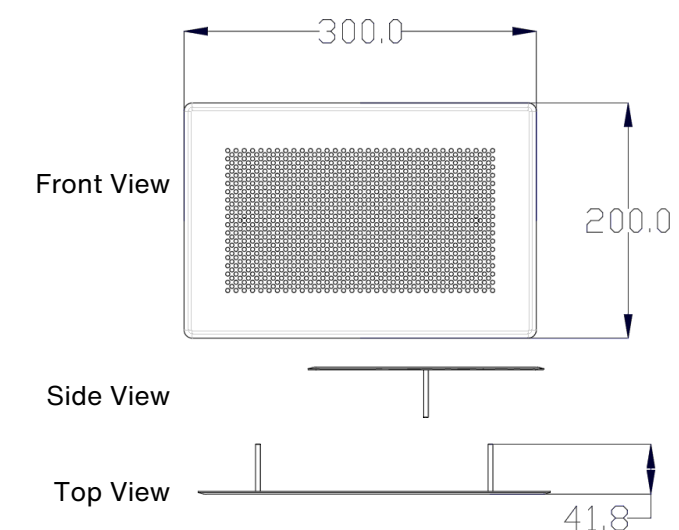
Article number: 990 320 642

Technical Specification

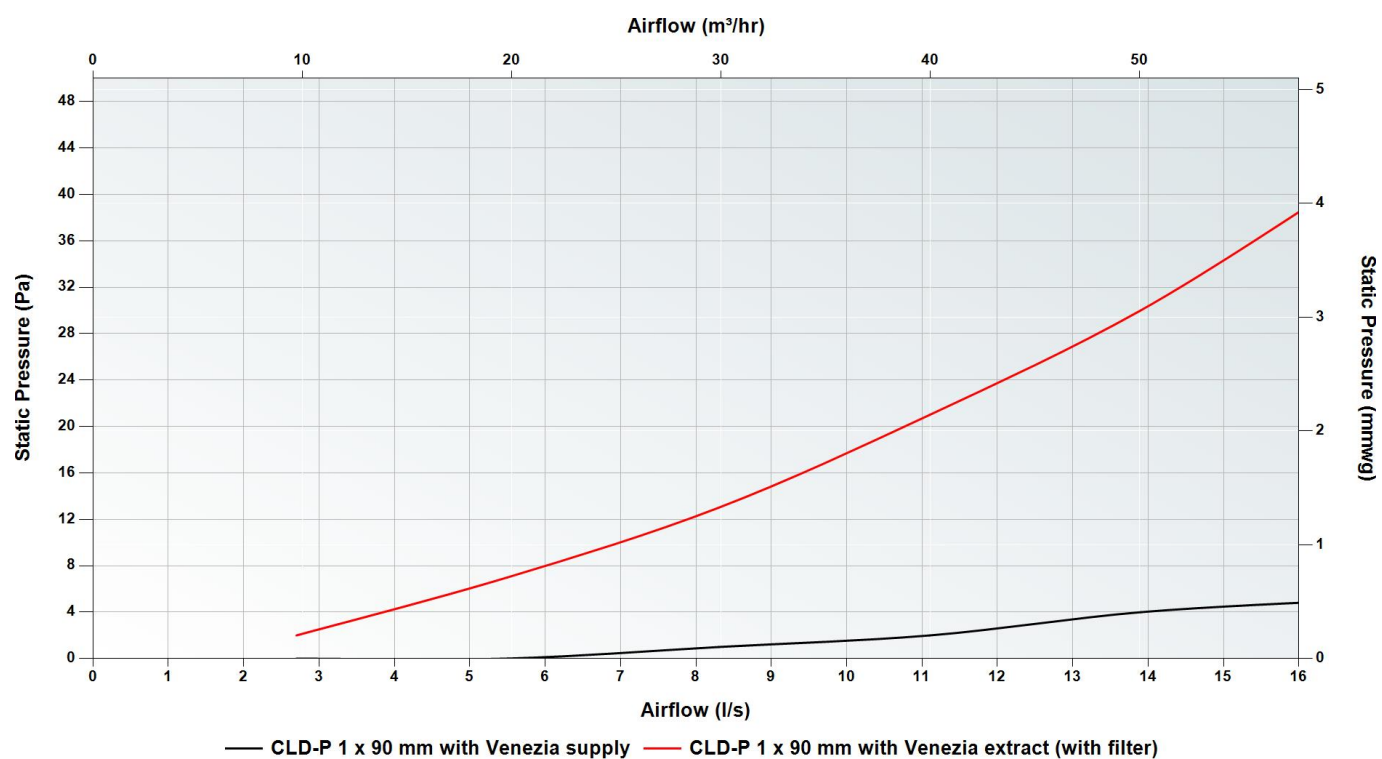
Finish	Stainless Steel
For use with	CLD or CLD-P grille housing
Height	200 mm
Width	300 mm
Depth	4.5 mm
Pin length	37 mm
Weight	0.39 kg
Lockable	Yes
Adjustable	Yes using adjustable airflow regulator (988 320 030 / 990 320 026 / 988 320 031 / 990 320 027)
Spare parts	Filter - 990 320 573 25 mm extension pin - 990 320 687 40 mm extension pin - 990 320 688
Info	For use in floor, wall or ceiling applications.
Rec. max flow	13.8 l/s (50 m ³ /h)



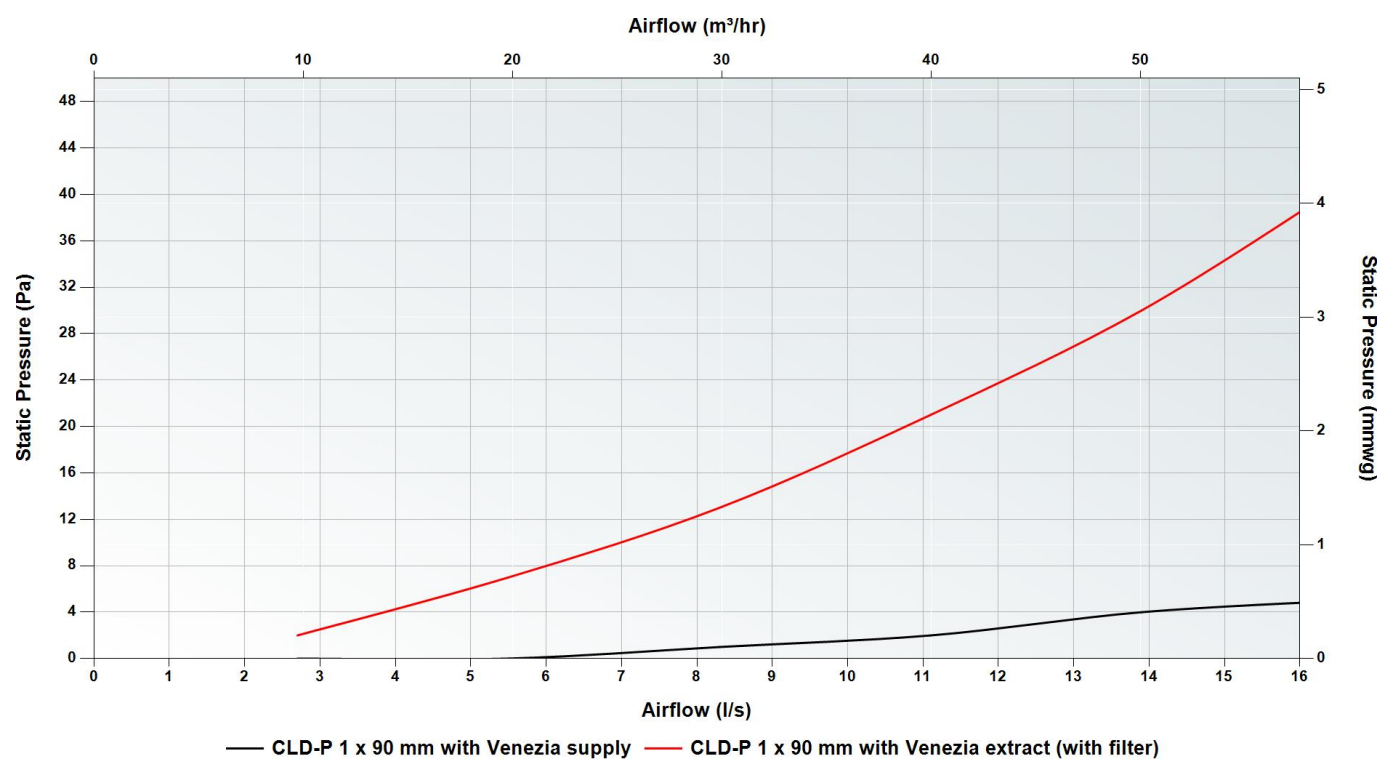
Dimensions



Pressure Curve



Pressure Curve



Sound Data

	Octave Band (Hz) Insertion Loss, dB							
	63	125	250	500	1000	2000	4000	8000
Supply - Including CLD-P with 1 x 90mm	0.3	10.2	2.1	1.6	8.2	5.1	8	10.8

Acoustic performance measured according to [EN ISO 7235](#)

Genua rectangular decorative grille for CLD/P, 260 x 160 mm

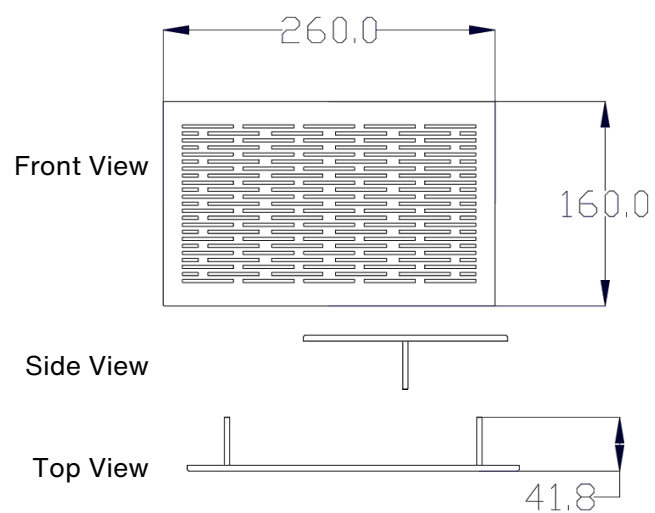
Article number: 990 320 660 / 990 320 661

Technical Specification

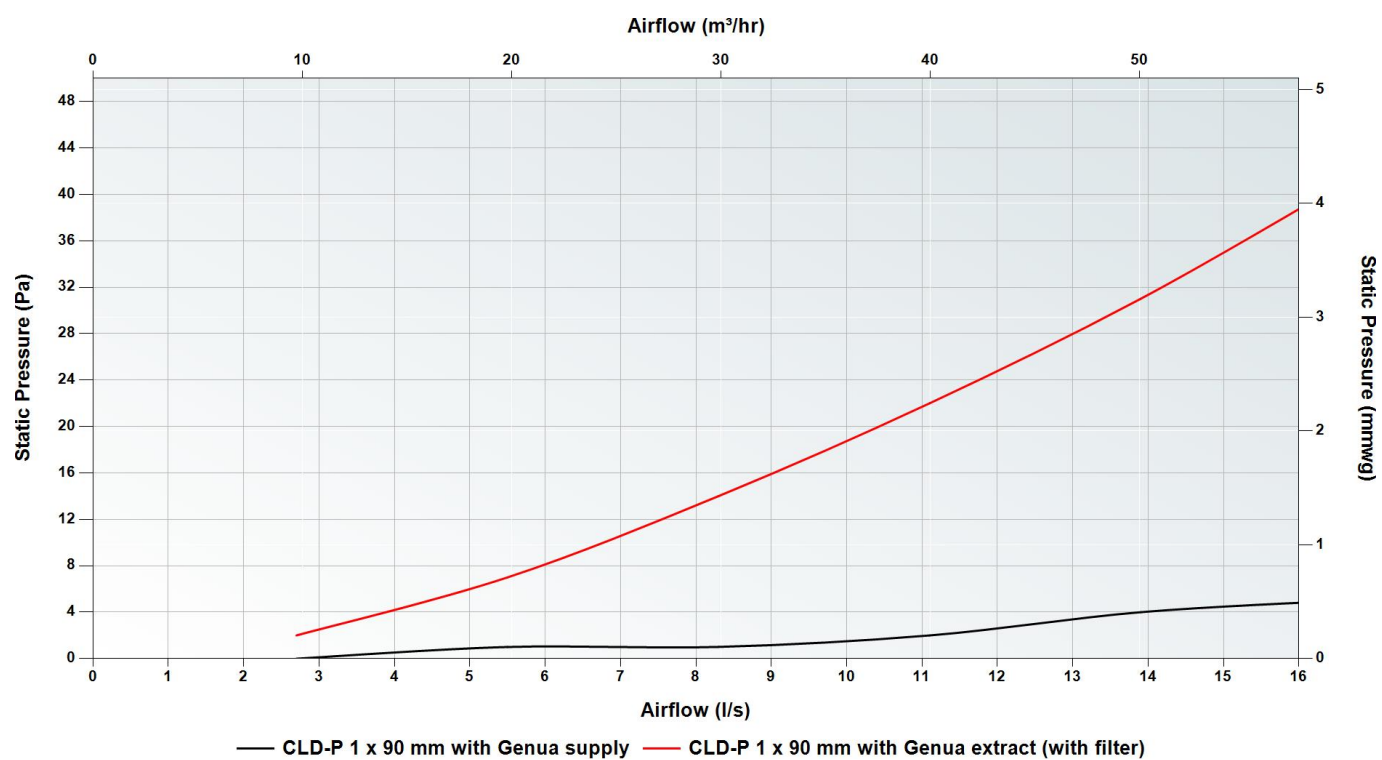
Finish	Stainless Steel / White (RAL 9016)
For use with	CLD or CLD-P grille housing
Height	160 mm
Width	260 mm
Depth	4.5 mm
Pin length	37 mm
Weight	0.28 kg
Lockable	Yes
Adjustable	Yes using adjustable airflow regulator (988 320 030 / 990 320 026 / 988 320 031 / 990 320 027)
Spare parts	Filter - 990 320 573 25 mm extension pin - 990 320 687 40 mm extension pin - 990 320 688
Info	For use in wall or ceiling applications.
Rec. max flow	13.8 l/s (50 m ³ /h)



Dimensions



Pressure Curve



Sound Data

	Octave Band (Hz) Insertion Loss, dB							
	63	125	250	500	1000	2000	4000	8000
Supply - Including CLD-P with 1 x 90mm	≤0	10.3	2.2	1.7	8.4	5.2	7.8	10.8

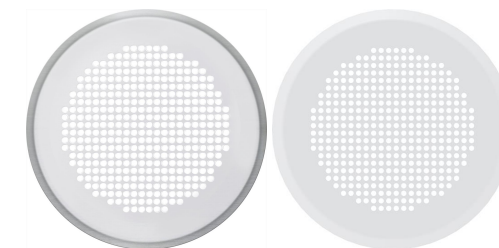
Acoustic performance measured according to [EN ISO 7235](#)

Venezia round decorative grille for TVA/P or CLRF, ø 125 mm

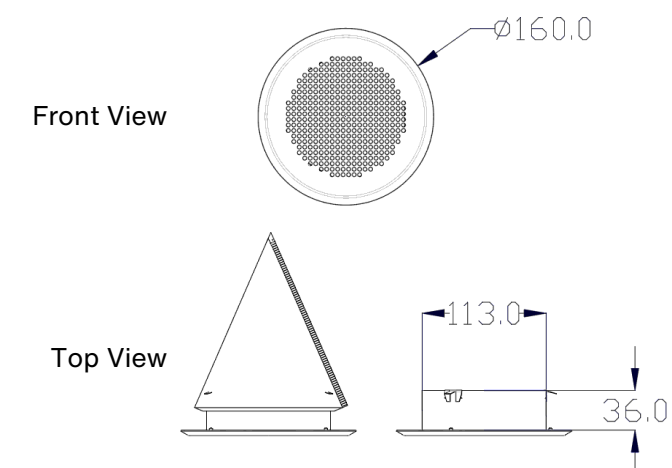
Article number: 990 320 780 / 990 320 781

Technical Specification

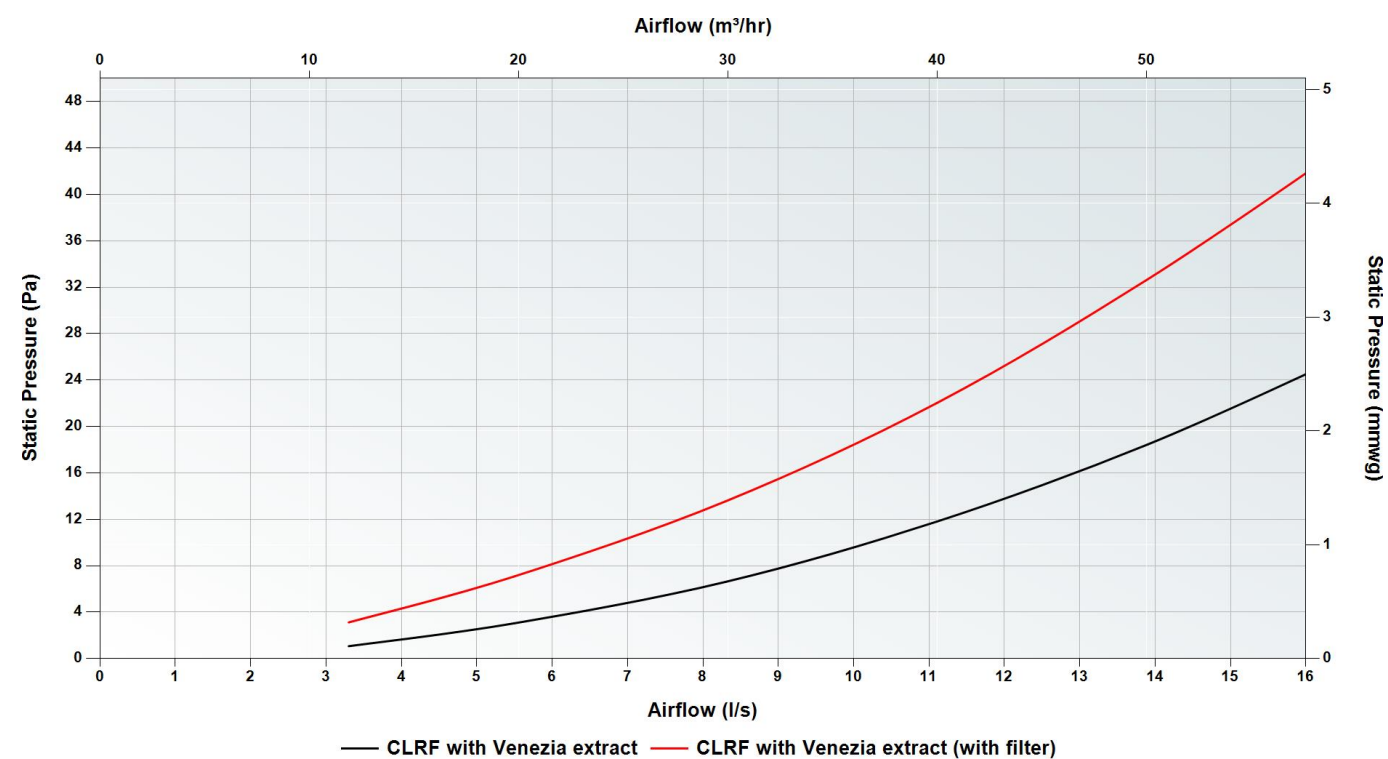
Finish	Stainless Steel / White (RAL 9016)
Spigot diameter	113 mm
Spigot length	36 mm
Facia diameter	160 mm
Weight	0.2 kg
Lockable	Yes
Adjustable	Yes using adjustable airflow regulator (988 320 030 / 990 320 026 / 988 320 031 / 990 320 027)
Spare parts	Filter - 990 320 032
Info	For use in wall or ceiling applications, complete with rubber installation/sealing ring
Rec. max flow	20.8 l/s (75 m ³ /h)



Dimensions



Pressure Curve

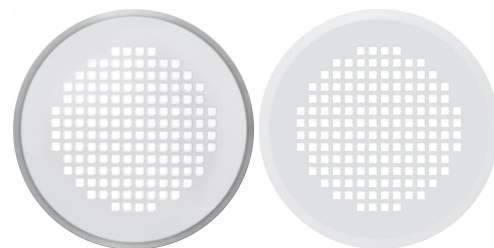
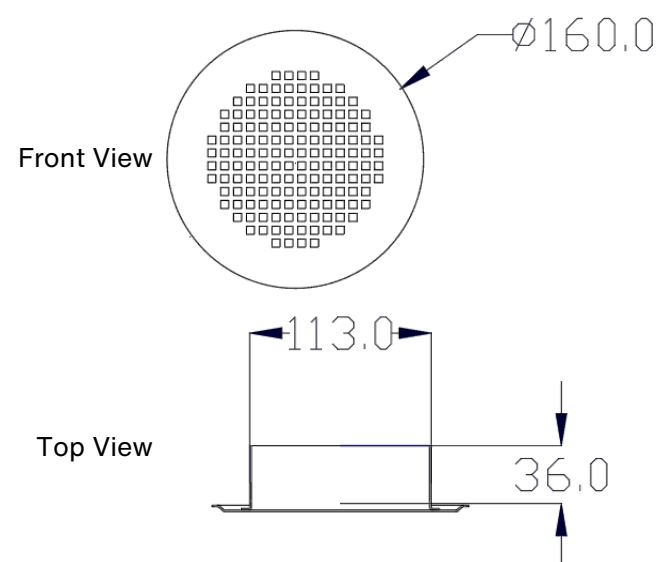
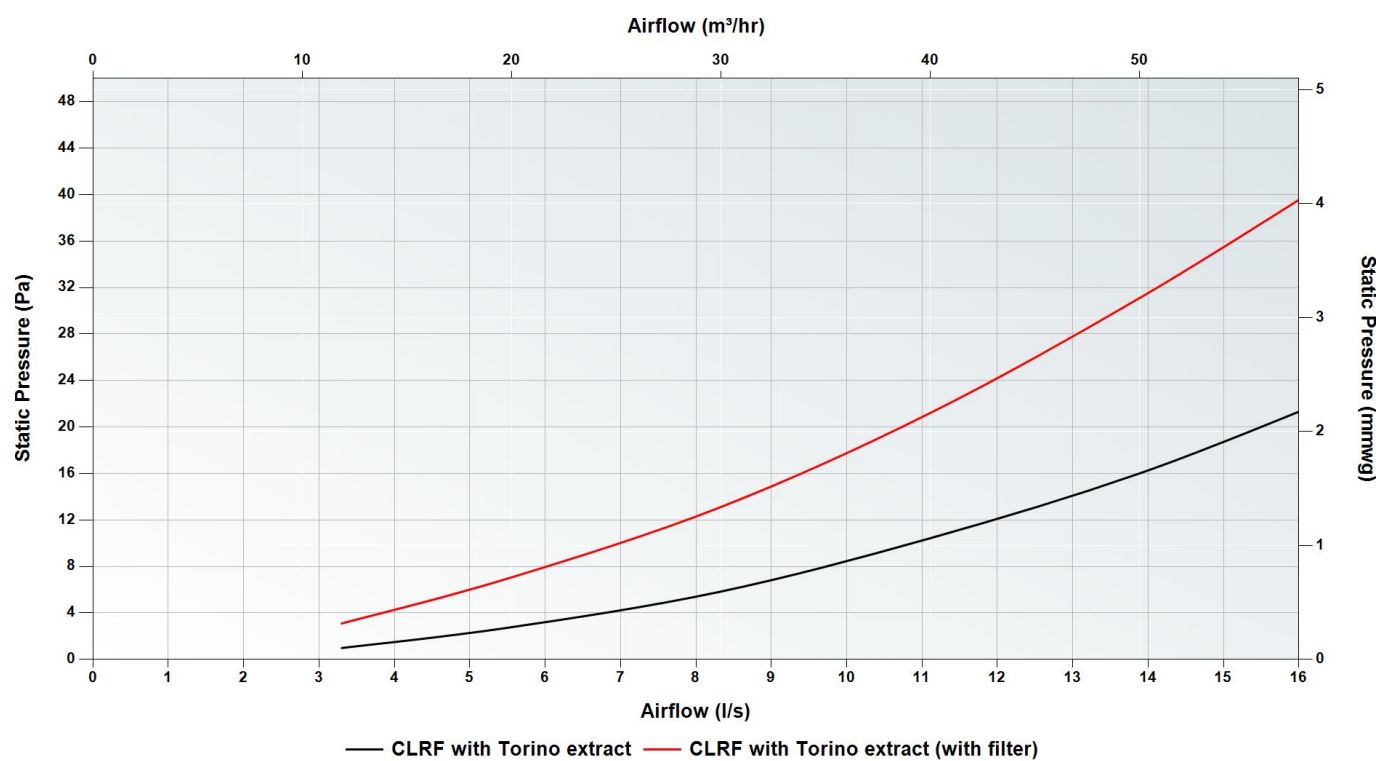


Torino round decorative grille for TVA/P or CLRF, ø 125 mm

Article number: 990 320 790 / 990 320 791

Technical Specification

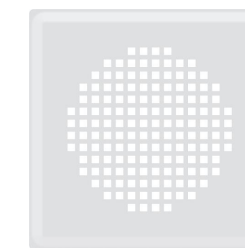
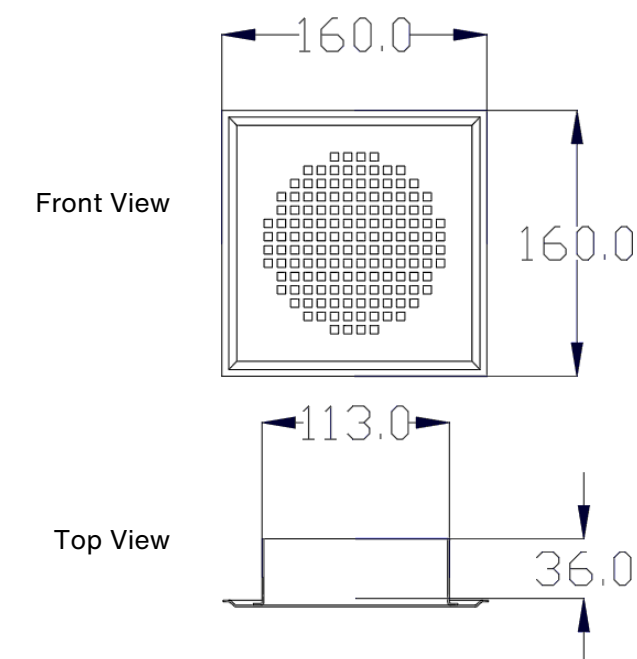
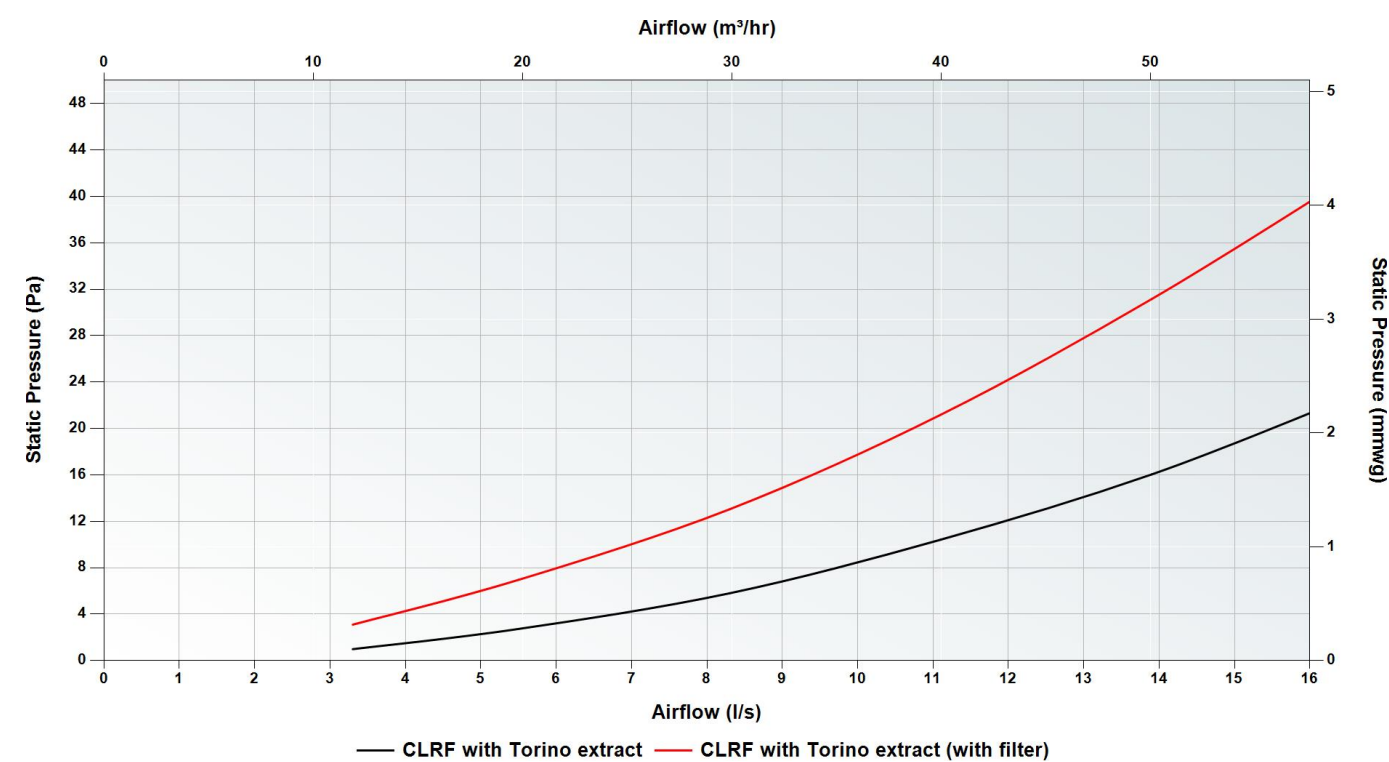
Finish	Stainless Steel / White (RAL 9016)
Spigot diameter	113 mm
Spigot length	36 mm
Facia diameter	160 mm
Weight	0.2 kg
Lockable	Yes
Adjustable	Yes using adjustable airflow regulator (988 320 030 / 990 320 026 / 988 320 031 / 990 320 027)
Spare parts	Filter - 990 320 032
Info	For use in wall or ceiling applications, complete with rubber installation/sealing ring
Rec. max flow	20.8 l/s (75 m ³ /h)


Dimensions

Pressure Curve

Torino square decorative grille for TVA/P or CLRF, ø 125 mm, white

Article number: 990 320 792

Technical Specification

Finish	White (RAL 9016)
Spigot diameter	113 mm
Spigot length	36 mm
Facia Height	160 mm
Facia Width	160 mm
Weight	0.25 kg
Lockable	Yes
Adjustable	Yes using adjustable airflow regulator (988 320 030 / 990 320 026 / 988 320 031 / 990 320 027)
Spare parts	Filter - 990 320 032
Info	For use in wall or ceiling applications, complete with rubber installation/sealing ring
Rec. max flow	20.8 l/s (75 m ³ /h)

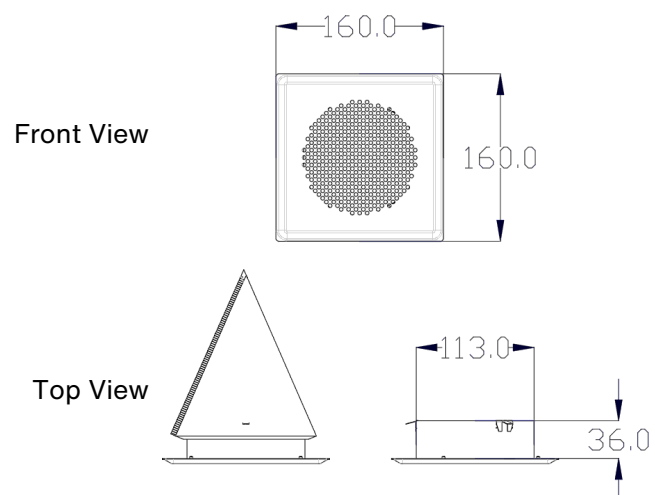
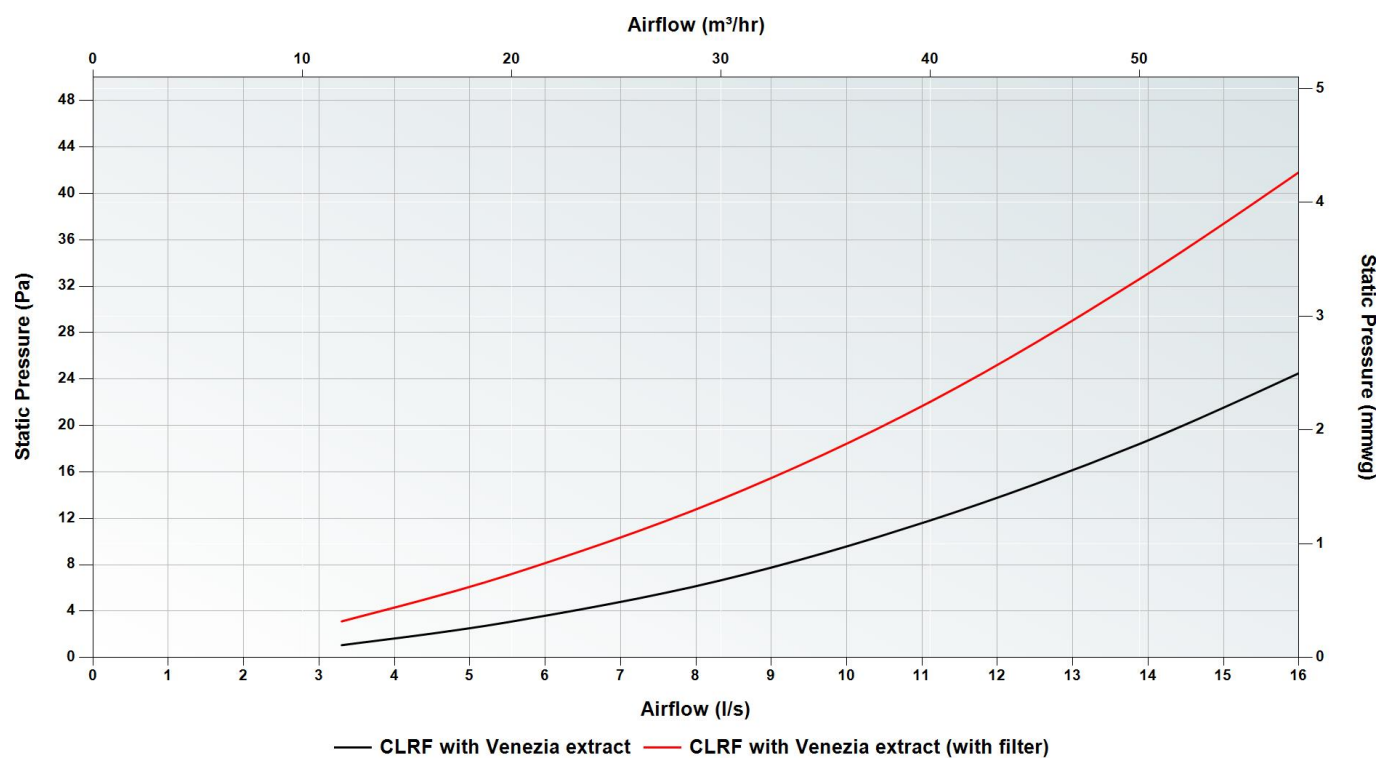

Dimensions

Pressure Curve


Venezia square decorative grille for TVA/P or CLRF, ø 125 mm

Article number: 990 322 089 / 990 322 090

Technical Specification

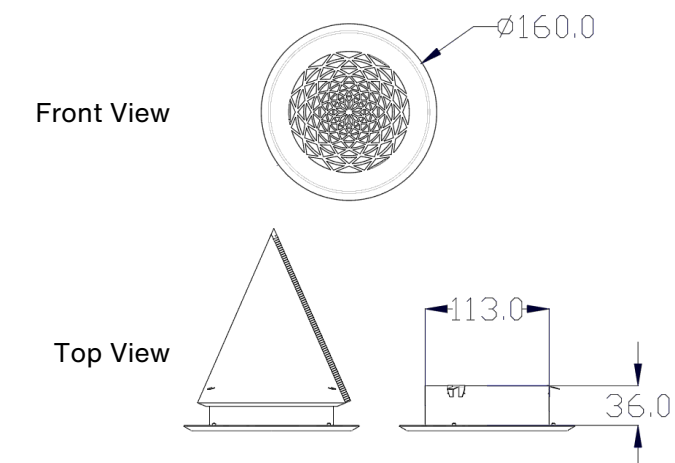
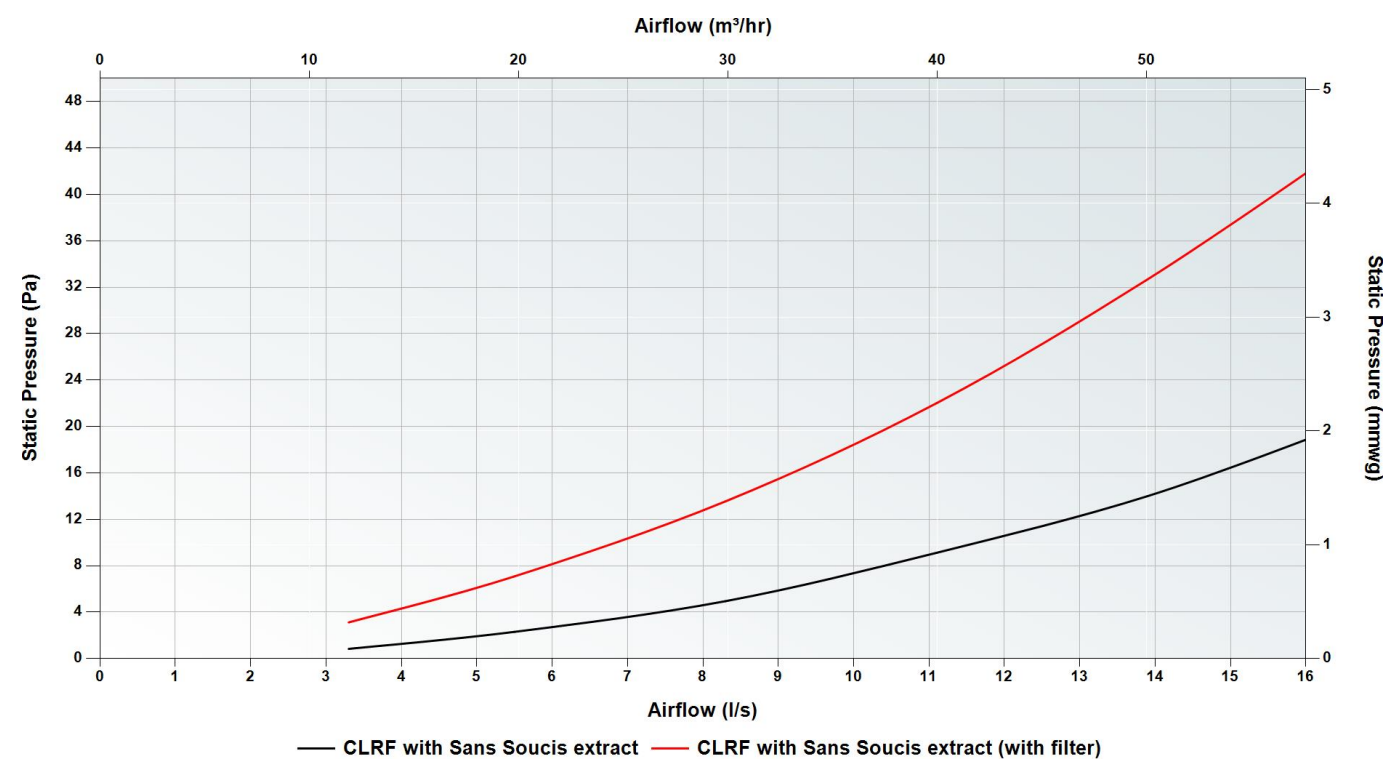
Finish	Stainless Steel / White (RAL 9016)
Spigot diameter	113 mm
Spigot length	36 mm
Facia Height	160 mm
Facia Width	160 mm
Weight	0.25 kg
Lockable	Yes
Adjustable	Yes using adjustable airflow regulator (988 320 030 / 990 320 026 / 988 320 031 / 990 320 027)
Spare parts	Filter - 990 320 032
Info	For use in wall or ceiling applications, complete with rubber installation/sealing ring
Rec. max flow	20.8 l/s (75 m ³ /h)

**Dimensions****Pressure Curve****Sans Soucis round decorative grille for TVA/P or CLRF, ø 125 mm**

Article number: 990 322 116 / 990 322 117

Technical Specification

Finish	Stainless Steel / White (RAL 9016)
Spigot diameter	113 mm
Spigot length	36 mm
Facia diameter	160 mm
Weight	0.2 kg
Lockable	Yes
Adjustable	Yes using adjustable airflow regulator (988 320 030 / 990 320 026 / 988 320 031 / 990 320 027)
Spare parts	Filter - 990 320 032
Info	For use in wall or ceiling applications, complete with rubber installation/sealing ring
Rec. max flow	20.8 l/s (75 m ³ /h)

**Dimensions****Pressure Curve**

Sacre Coeur round decorative grille for TVA/P or CLRF, \varnothing 125 mm

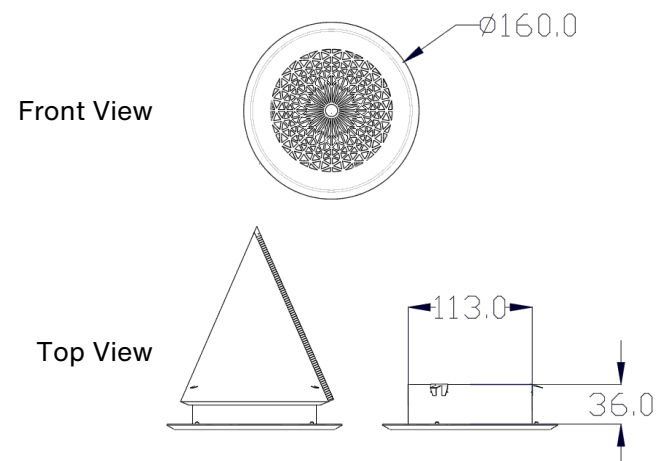
Article number: 990 322 118 / 990 322 119

Technical Specification

Finish	Stainless Steel / White (RAL 9016)
Spigot diameter	113 mm
Spigot length	36 mm
Facia diameter	160 mm
Weight	0.2 kg
Lockable	Yes
Adjustable	Yes using adjustable airflow regulator (988 320 030 / 990 320 026 / 988 320 031 / 990 320 027)
Spare parts	Filter - 990 320 032
Info	For use in wall or ceiling applications, complete with rubber installation/sealing ring
Rec. max flow	20.8 l/s (75 m ³ /h)



Dimensions

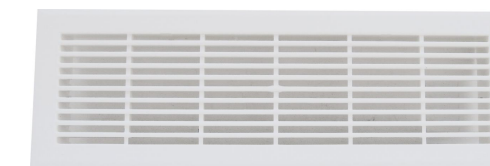


Rectangular decorative grille for CLF, 335 x 110 mm, plastic, white

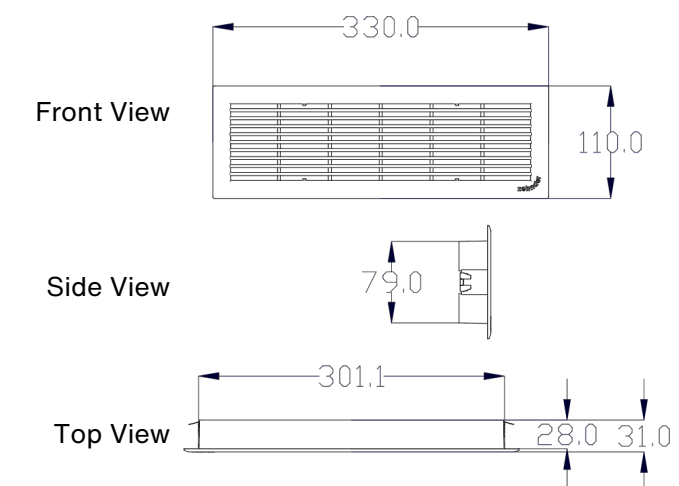
Article number: 990 322 001

Technical Specification

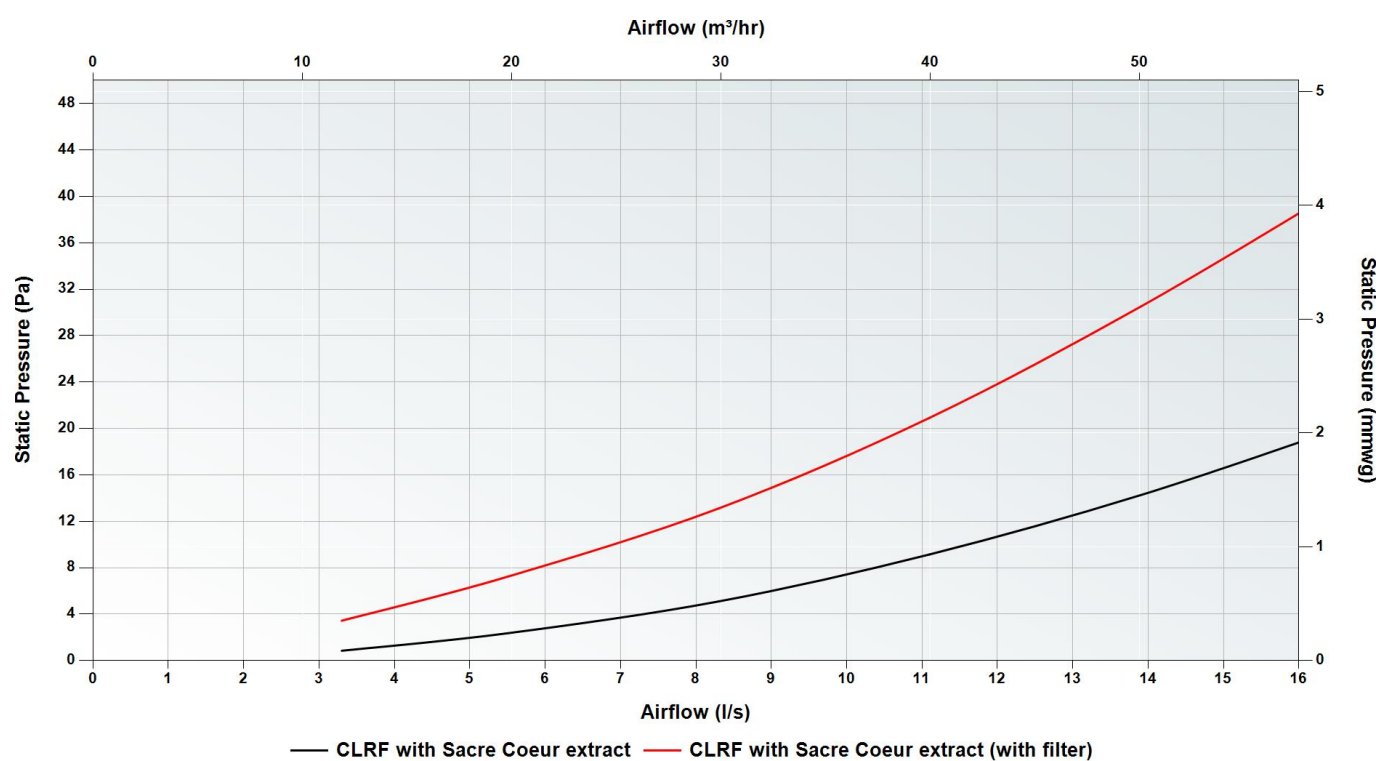
Finish	White Plastic (RAL 9016)
For use with	CLF grille housing
Height	110 mm
Width	330 mm
Depth	3 mm
Spigot length	28 mm
Weight	0.17 kg
Lockable	Yes
Adjustable	Yes using adjustable airflow regulator (990 322 015)
Spare parts	Filter - 990 322 100
Info	For use in wall or ceiling applications.
Rec. max flow	13 l/s (47 m ³ /h)



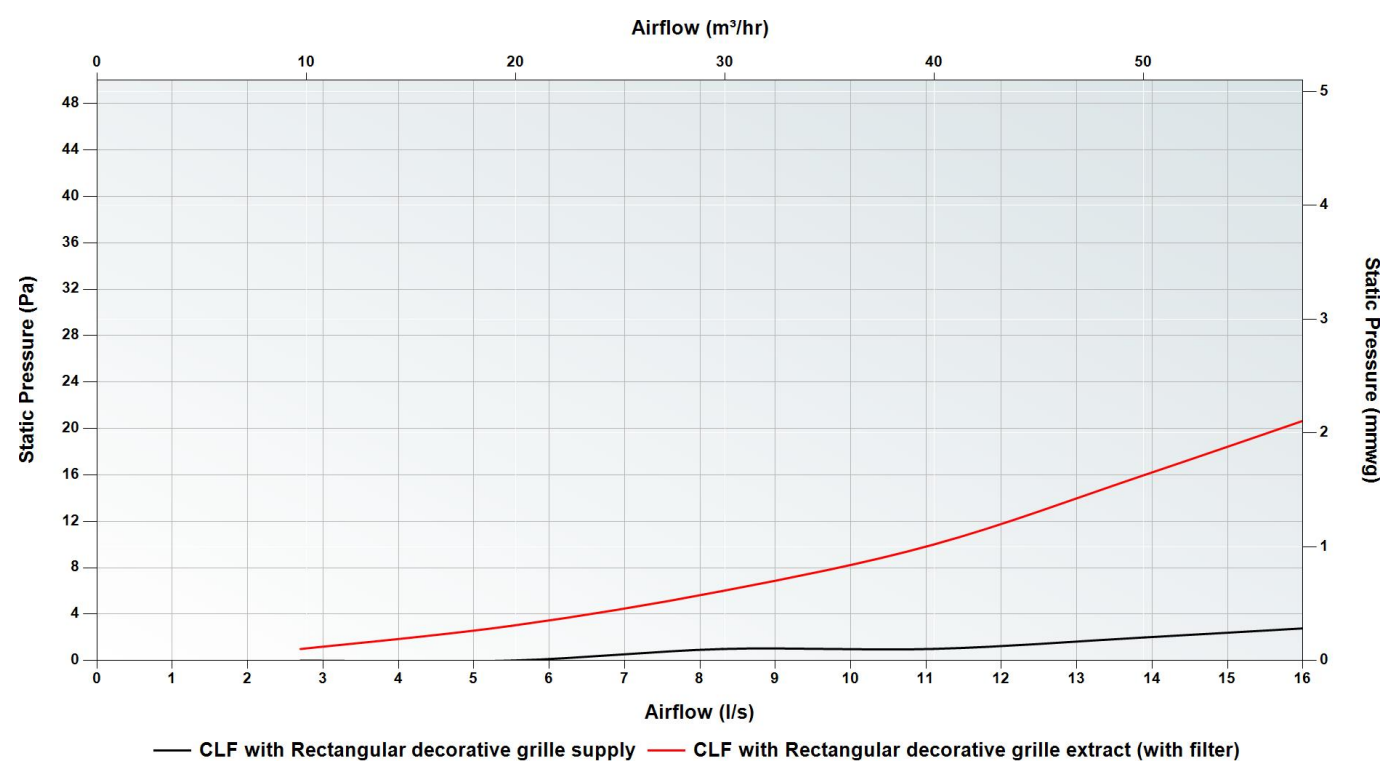
Dimensions



Pressure Curve



Pressure Curve



Roma rectangular decorative grille for CLF, 350 x 130 mm

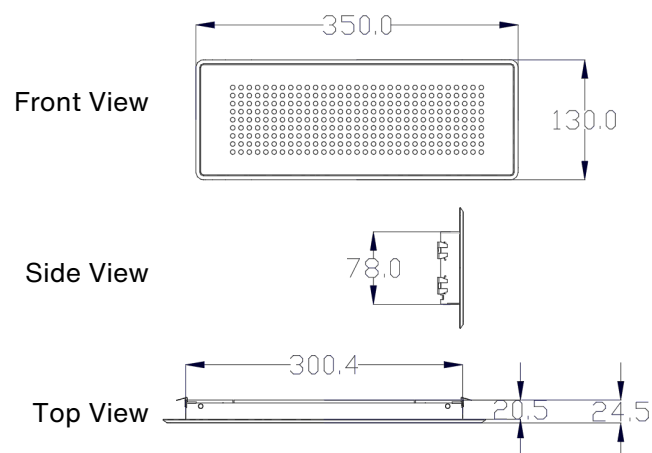
Article number: 990 322 080 / 990 322 081

Technical Specification

Finish	White (RAL 9016) / Stainless Steel
For use with	CLF grille housing
Height	130 mm
Width	350 mm
Depth	4 mm
Spigot length	20.5 mm
Weight	0.4 kg
Lockable	Yes
Adjustable	Yes using adjustable airflow regulator (990 322 015)
Spare parts	Filter - 990 322 100 Floor brace - 990 322 095
Info	For use in floor (stainless steel only), wall or ceiling applications.
Rec. max flow	13 l/s (47 m ³ /h)



Dimensions



Pisa rectangular decorative grille for CLF, 350 x 130 mm

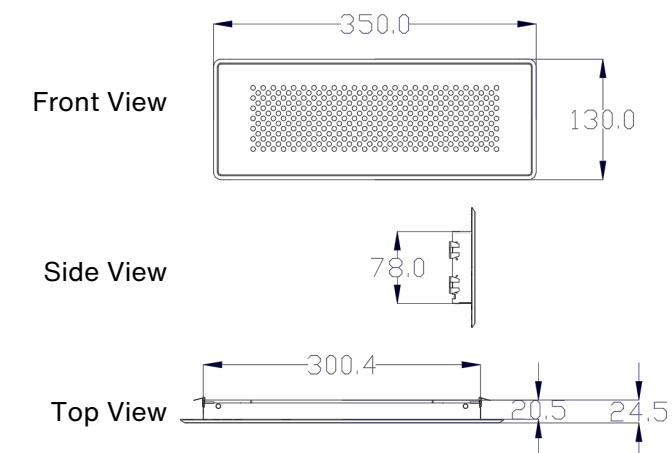
Article number: 990 322 082 / 990 322 083

Technical Specification

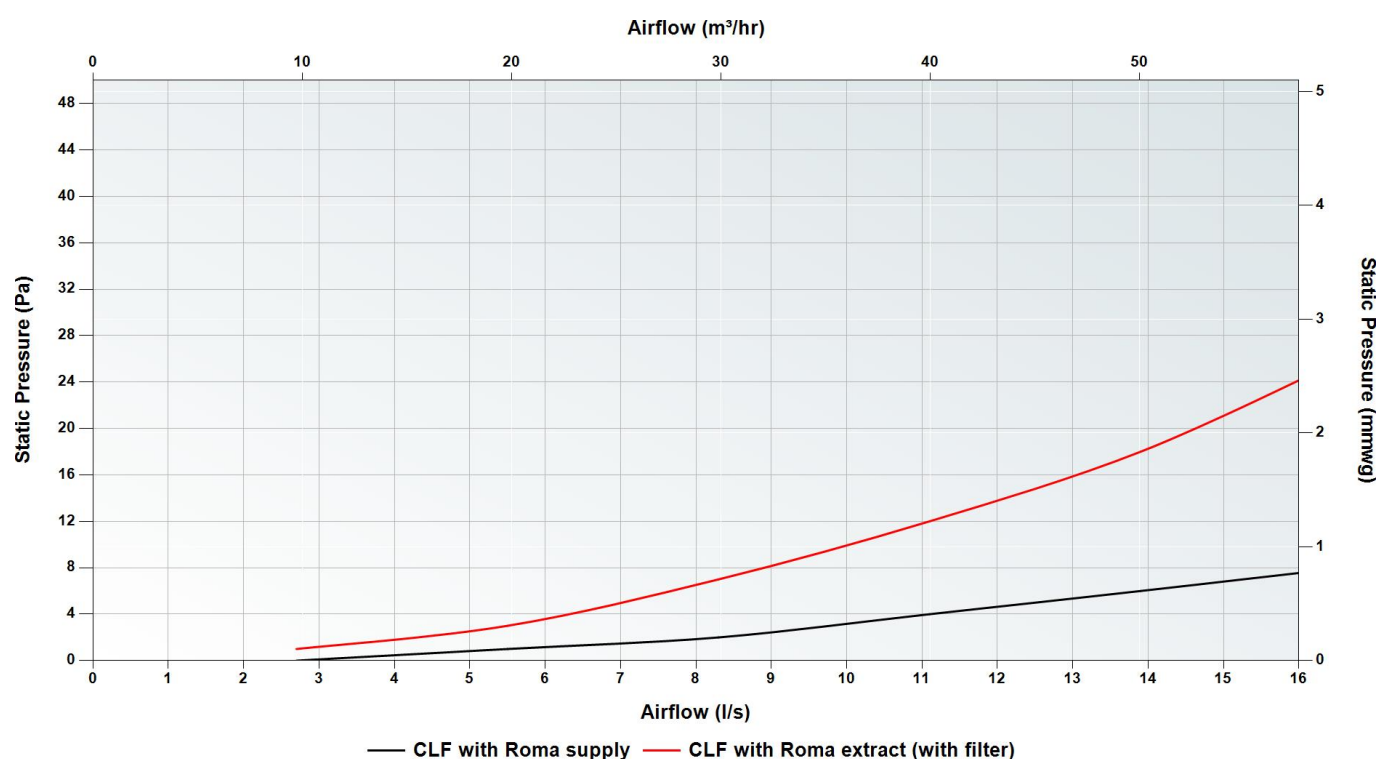
Finish	White (RAL 9016) / Stainless Steel
For use with	CLF grille housing
Height	130 mm
Width	350 mm
Depth	4 mm
Spigot length	20.5 mm
Weight	0.4 kg
Lockable	Yes
Adjustable	Yes using adjustable airflow regulator (990 322 015)
Spare parts	Filter - 990 322 100 Floor brace - 990 322 095
Info	For use in floor (stainless steel only), wall or ceiling applications.
Rec. max flow	13 l/s (47 m ³ /h)



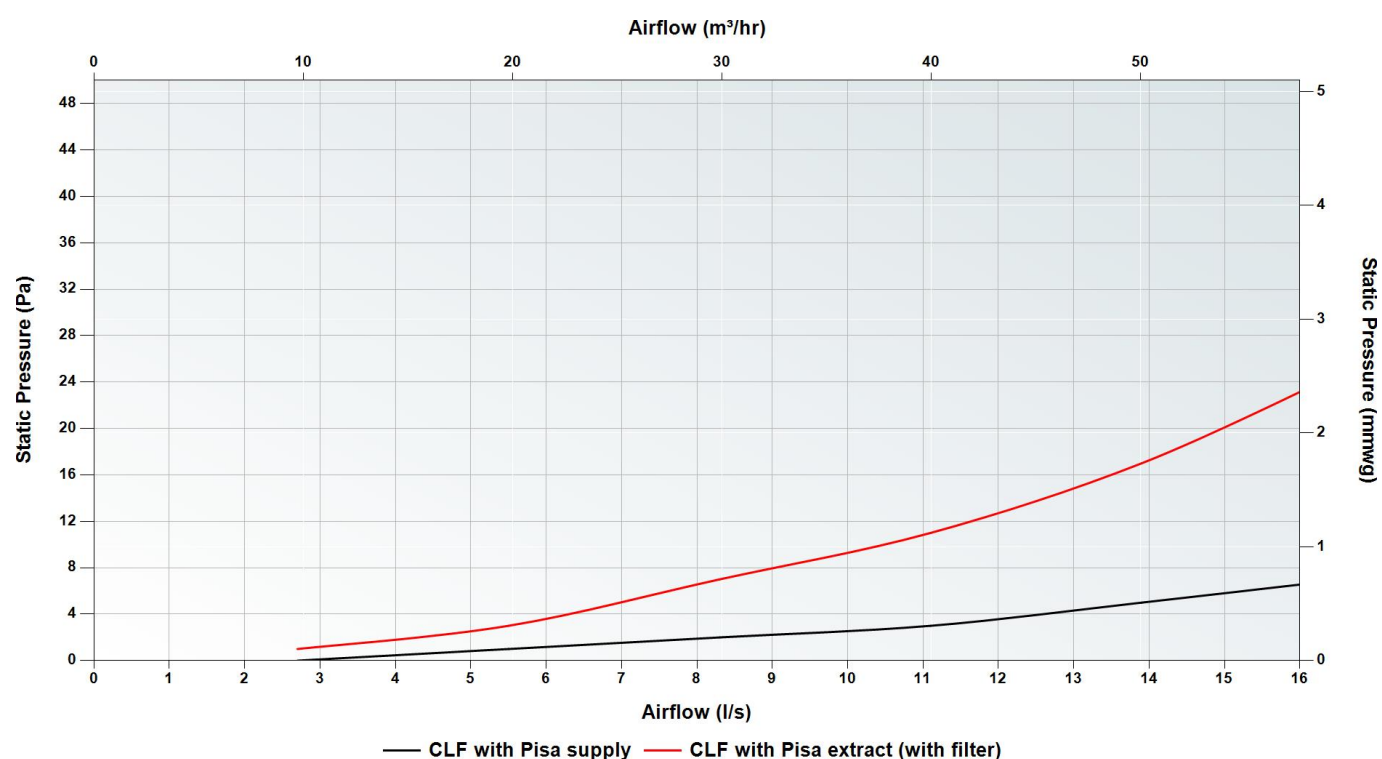
Dimensions



Pressure Curve



Pressure Curve



Sound Data

	Octave Band (Hz) Insertion Loss, dB							
	63	125	250	500	1000	2000	4000	8000
Supply - Including CLF	≤0	4.5	≤0	8.9	2.3	2.5	8.7	10.8

Acoustic performance measured according to [EN ISO 7235](#)

Sound Data

	Octave Band (Hz) Insertion Loss, dB							
	63	125	250	500	1000	2000	4000	8000
Supply - Including CLF	≤0	4.4	≤0	9	2.2	2.7	8.9	10.7

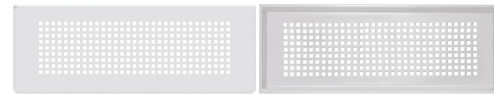
Acoustic performance measured according to [EN ISO 7235](#)

Torino rectangular decorative grille for CLF, 350 x 130 mm

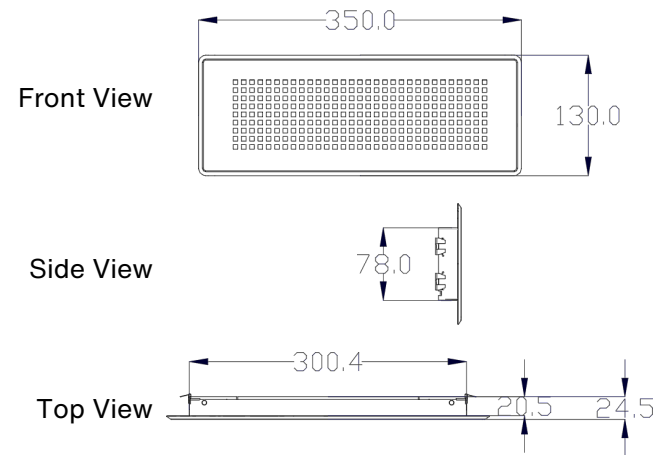
Article number: 990 322 084 / 990 322 085

Technical Specification

Finish	White (RAL 9016) / Stainless Steel
For use with	CLF grille housing
Height	130 mm
Width	350 mm
Depth	4 mm
Spigot length	20.5 mm
Weight	0.4 kg
Lockable	Yes
Adjustable	Yes using adjustable airflow regulator (990 322 015)
Spare parts	Filter - 990 322 100 Floor brace - 990 322 095
Info	For use in floor (stainless steel only), wall or ceiling applications.
Rec. max flow	13 l/s (47 m ³ /h)



Dimensions



Venezia rectangular decorative grille for CLF, 350 x 130 mm

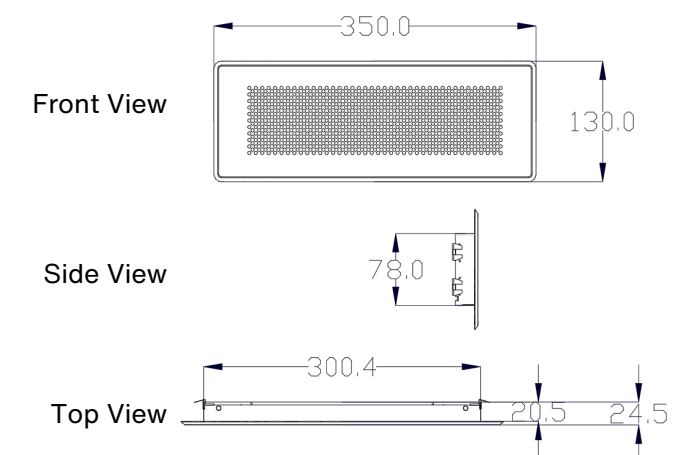
Article number: 990 322 086 / 990 322 087

Technical Specification

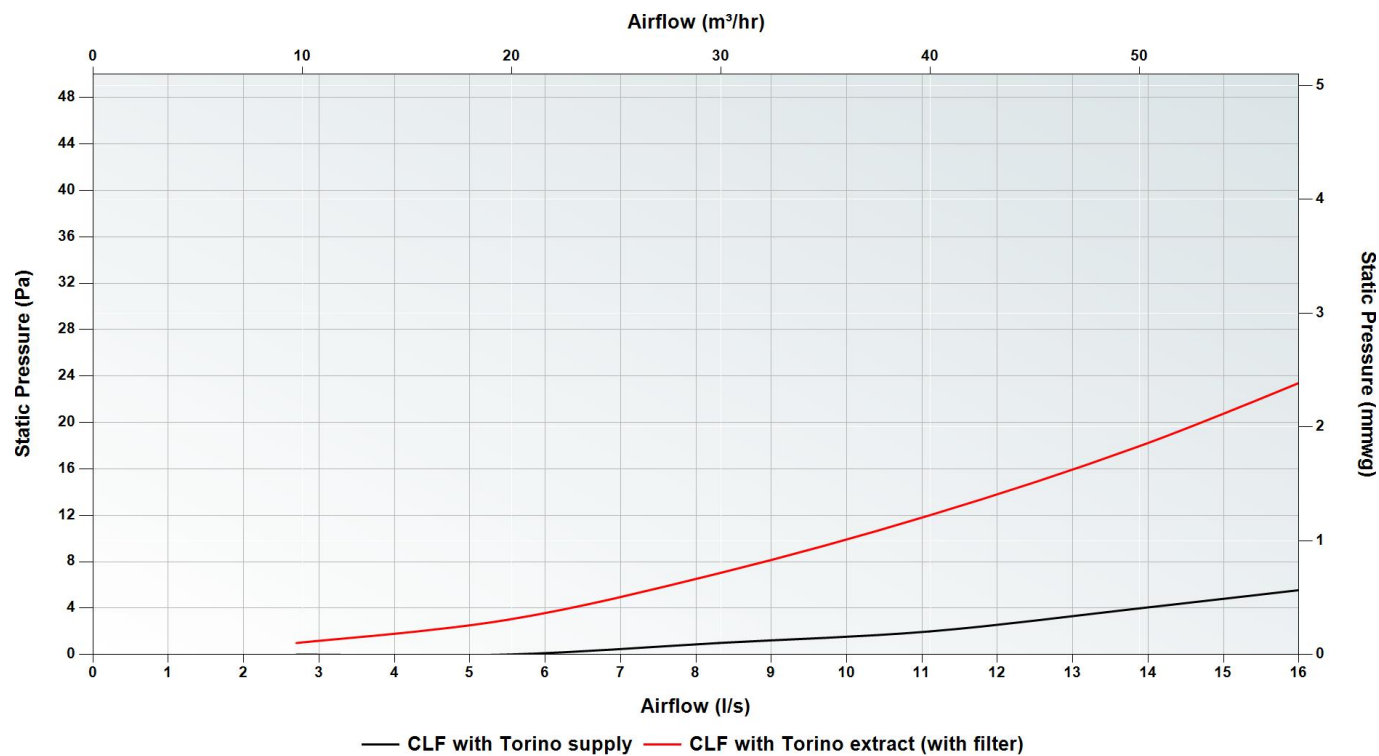
Finish	White (RAL 9016) / Stainless Steel
For use with	CLF grille housing
Height	130 mm
Width	350 mm
Depth	4 mm
Spigot length	20.5 mm
Weight	0.4 kg
Lockable	Yes
Adjustable	Yes using adjustable airflow regulator (990 322 015)
Spare parts	Filter - 990 322 100 Floor brace - 990 322 095
Info	For use in floor (stainless steel only), wall or ceiling applications.
Rec. max flow	13 l/s (47 m ³ /h)



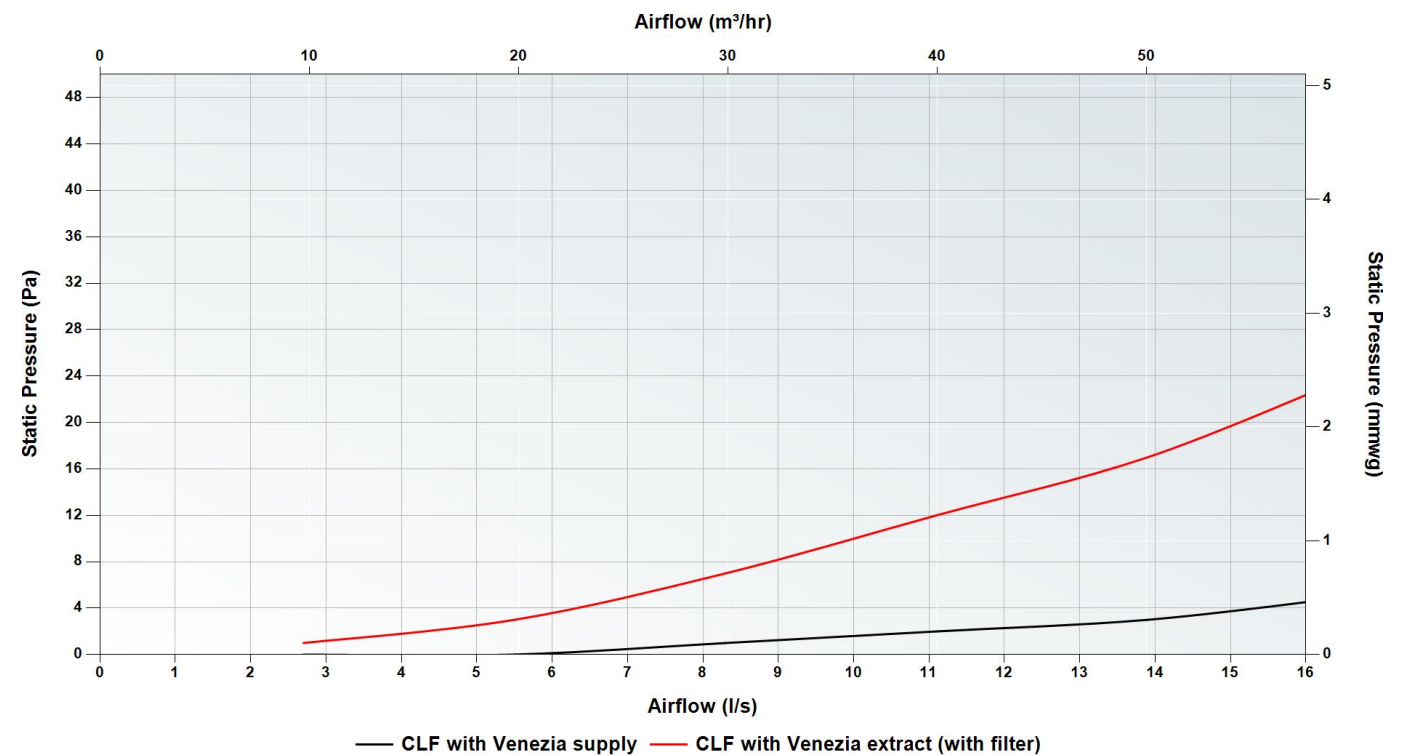
Dimensions



Pressure Curve



Pressure Curve



Sound Data

	Octave Band (Hz) Insertion Loss, dB							
	63	125	250	500	1000	2000	4000	8000
Supply - Including CLF	≤0	4.4	≤0	8.8	2.2	2.5	8.8	10.4

Acoustic performance measured according to [EN ISO 7235](#)

Sound Data

	Octave Band (Hz) Insertion Loss, dB							
	63	125	250	500	1000	2000	4000	8000
Supply - Including CLF	≤0	4.5	≤0	8.7	2.2	2.4	8.7	10.2

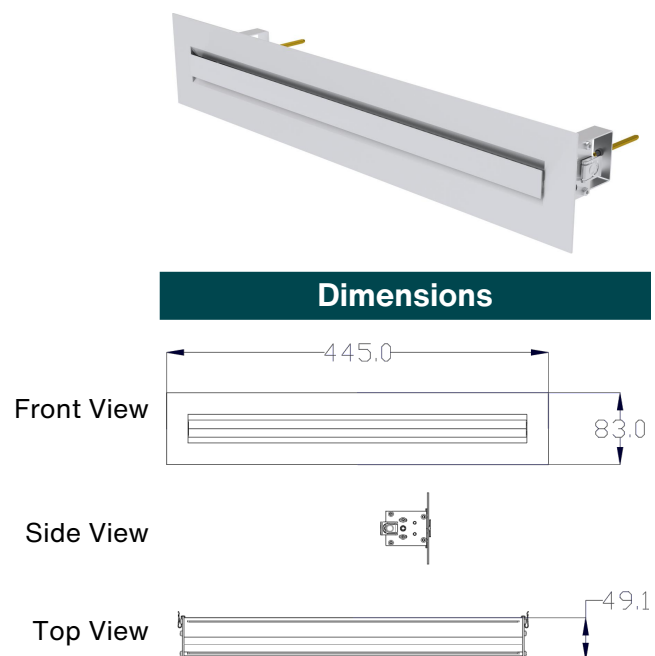
Acoustic performance measured according to [EN ISO 7235](#)

Slot diffuser, Bilamina 400 rectangular grille for CSB/P 400, aluminium

Article number: 990 321 640

Technical Specification

Finish	Aluminium
For use with	CSB and CSB-P 400 grille housing
Height	83 mm
Width	445 mm
Depth	3.5 mm
Spigot length	45.6 mm
Weight	0.45 kg
Lockable	Yes
Adjustable	Yes using adjustable airflow regulator (988 320 030 / 990 320 026 / 988 320 031 / 990 320 027)
Spare parts	Filter - 990 321 768 25 mm extension pin - 990 320 687 40 mm extension pin - 990 320 688 60 mm extension pin - 990 320 699
Info	For use in wall or ceiling applications with adjustable air direction fins. Supplied with pins as standard to fit to CSB-P, for deeper set housings within concrete, extension pins are available.
Rec. max flow	16.6 l/s (60 m ³ /h)

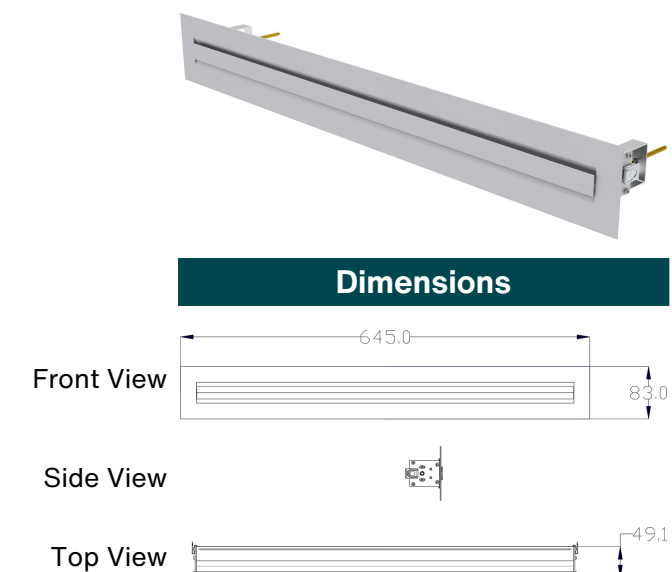


Slot diffuser, Bilamina 600 rectangular grille for CSB/P 600, aluminium

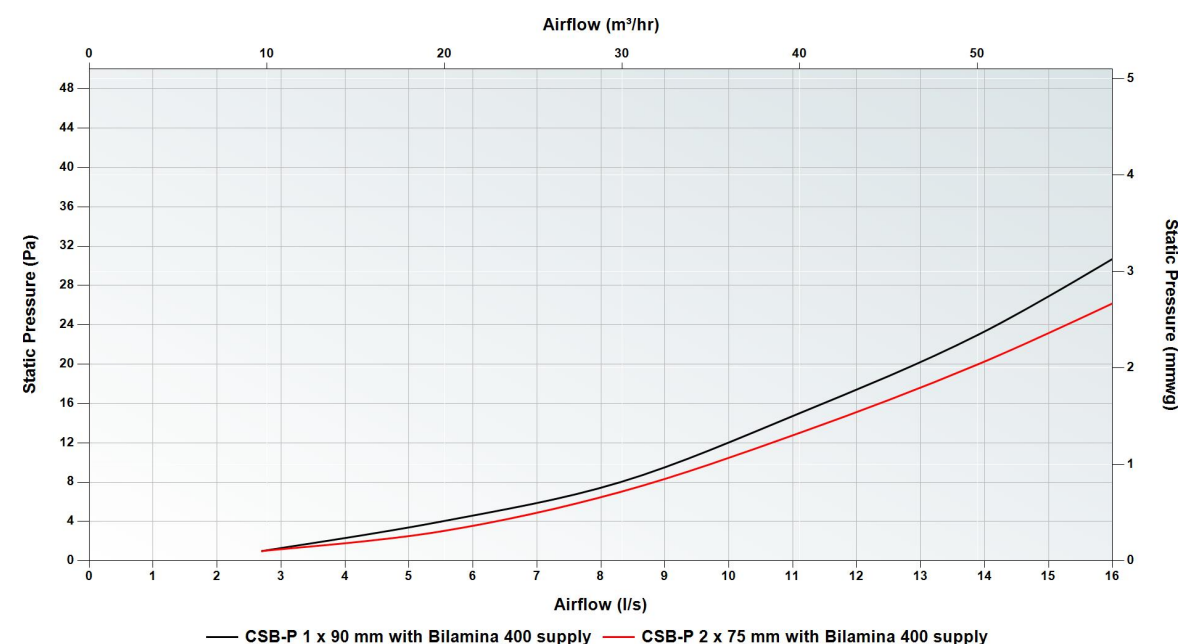
Article number: 990 321 660

Technical Specification

Finish	Aluminium
For use with	CSB and CSB-P 600 grille housing
Height	83 mm
Width	645 mm
Depth	3.5 mm
Spigot length	45.6 mm
Weight	0.63 kg
Lockable	Yes
Adjustable	Yes using adjustable airflow regulator (988 320 030 / 990 320 026 / 988 320 031 / 990 320 027)
Spare parts	Filter - 990 321 769 25 mm extension pin - 990 320 687 40 mm extension pin - 990 320 688 60 mm extension pin - 990 320 699
Info	For use in wall or ceiling applications with adjustable air direction fins. Supplied with pins as standard to fit to CSB-P, for deeper set housings within concrete, extension pins are available.
Rec. max flow	25 l/s (90 m ³ /h)



Pressure Curve

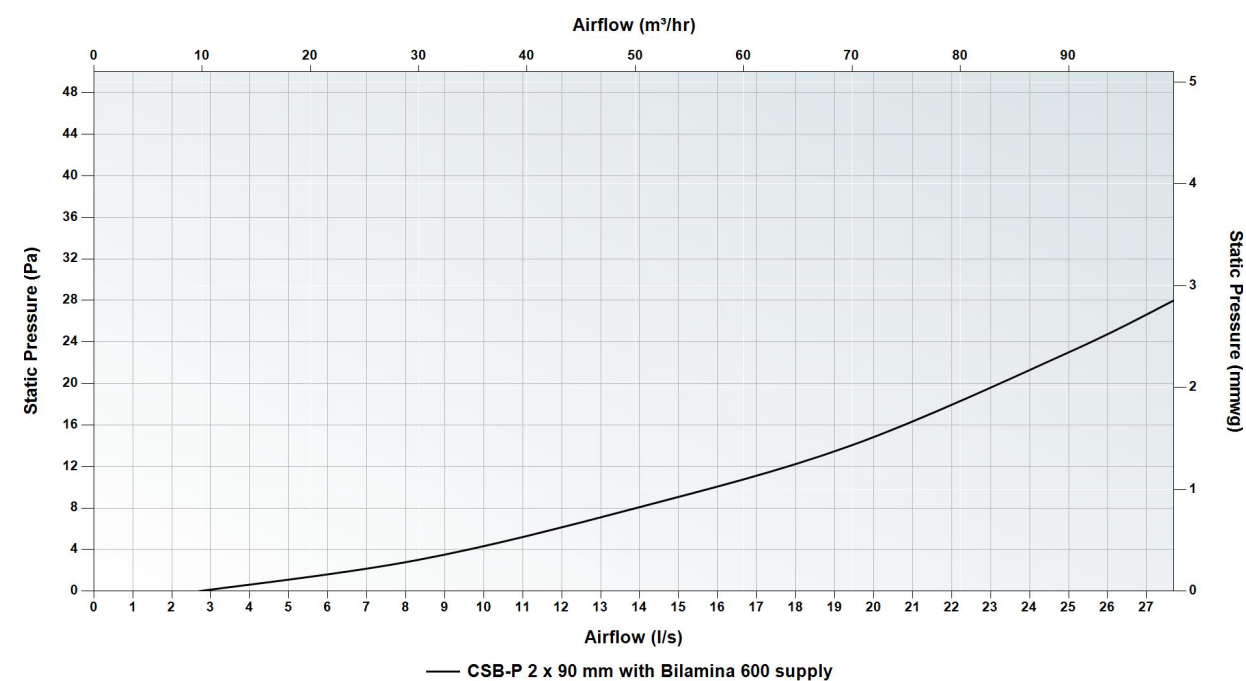


Sound Data

	Octave Band (Hz) Insertion Loss, dB							
	63	125	250	500	1000	2000	4000	8000
Supply - Including CSB-P with 2 x 75mm	≤0	2.3	1.7	2.1	9.5	13	15.4	16.8
Supply - Including CSB-P with 1 x 90mm	≤0	8.4	≤0	2.8	9.2	5.9	10.1	12.2

Acoustic performance measured according to [EN ISO 7235](#)

Pressure Curve



Sound Data

	Octave Band (Hz) Insertion Loss, dB							
	63	125	250	500	1000	2000	4000	8000
Supply - Including CSB-P with 2 x 90mm	≤0	1.5	1.1	1.5	10.1	12.3	15.9	15.6

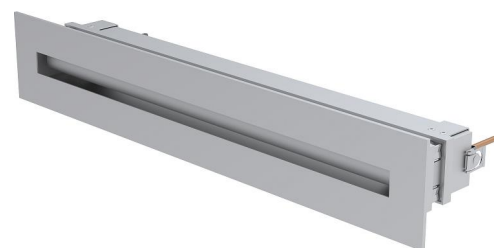
Acoustic performance measured according to [EN ISO 7235](#)

Slot diffuser, Lamina 400 rectangular grille for CSB/P 400

Article number: 990 321 740 / 988 321 741

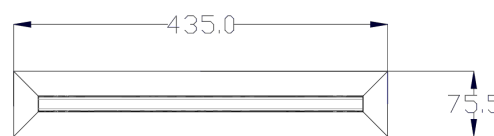
Technical Specification

Finish	Aluminium / White (RAL 9016)
For use with	CSB and CSB-P 400 grille housing
Height	75.5 mm
Width	435 mm
Depth	3 mm
Spigot length	73 mm
Weight	0.69 kg
Lockable	Yes
Adjustable	Yes using adjustable airflow regulator (988 320 030 / 990 320 026 / 988 320 031 / 990 320 027)
Spare parts	Filter - 990 321 768 25 mm extension pin - 990 320 687 40 mm extension pin - 990 320 688 60 mm extension pin - 990 320 699
Info	For use in wall or ceiling applications with adjustable air direction fins. Supplied with pins as standard to fit to CSB-P, for deeper set housings within concrete, extension pins are available.
Rec. max flow	16.6 l/s (60 m ³ /h)



Dimensions

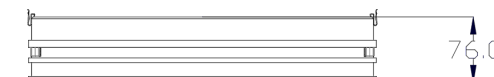
Front View



Side View



Top View



Slot diffuser, Lamina 600 rectangular grille for CSB/P 600, aluminium

Article number: 990 321 760

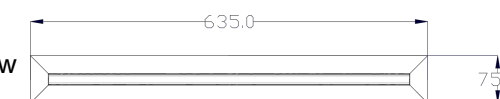
Technical Specification

Finish	Aluminium
For use with	CSB and CSB-P 600 grille housing
Height	75.5 mm
Width	635 mm
Depth	3 mm
Spigot length	73 mm
Weight	0.98 kg
Lockable	Yes
Adjustable	Yes using adjustable airflow regulator (988 320 030 / 990 320 026 / 988 320 031 / 990 320 027)
Spare parts	Filter - 990 321 769 25 mm extension pin - 990 320 687 40 mm extension pin - 990 320 688 60 mm extension pin - 990 320 699
Info	For use in wall or ceiling applications with adjustable air direction fins. Supplied with pins as standard to fit to CSB-P, for deeper set housings within concrete, extension pins are available.
Rec. max flow	25 l/s (90 m ³ /h)



Dimensions

Front View



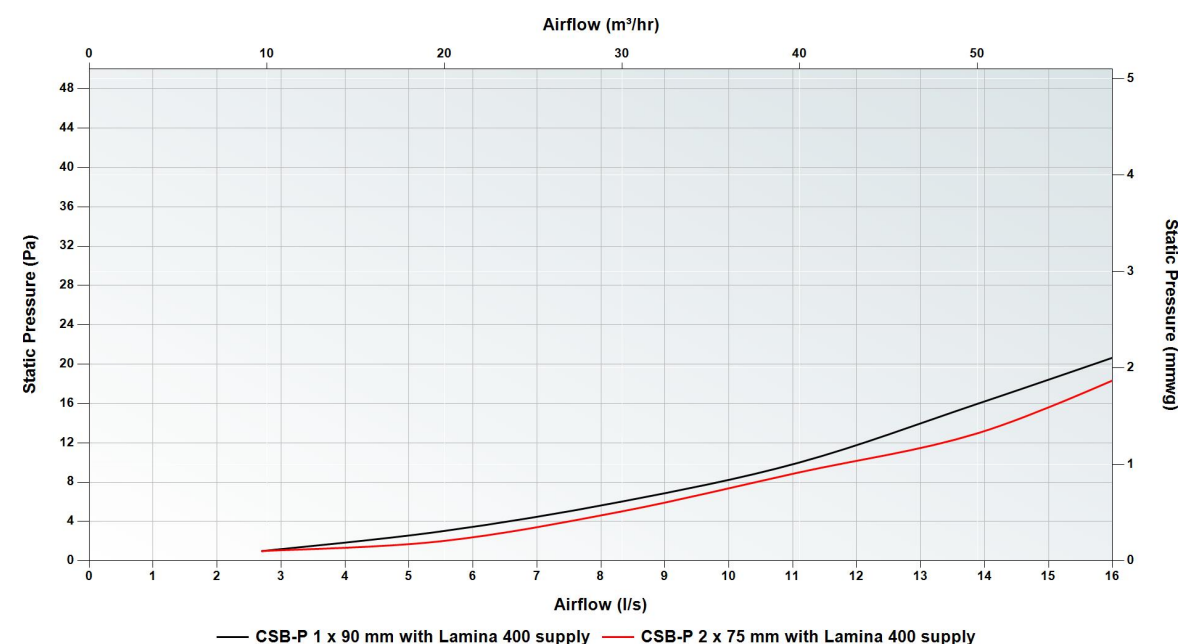
Side View



Top View



Pressure Curve

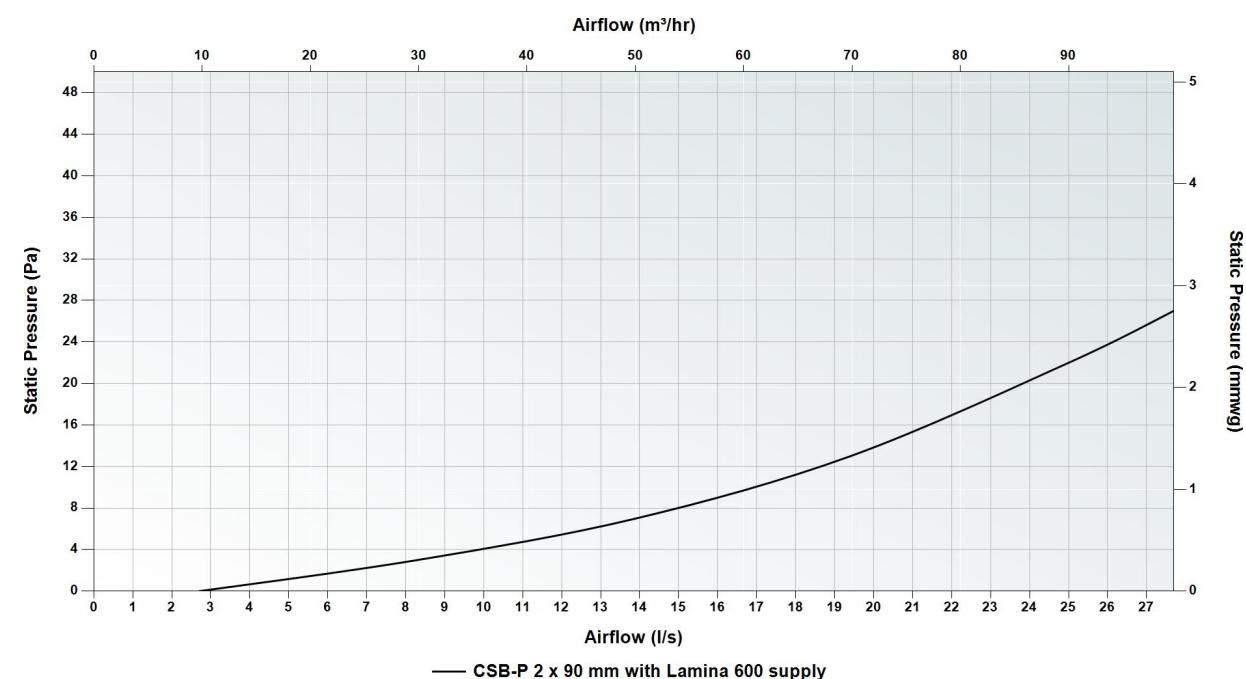


Sound Data

	Octave Band (Hz) Insertion Loss, dB							
	63	125	250	500	1000	2000	4000	8000
Supply - Including CSB-P with 2 x 75mm	≤0	3.5	2.7	5.3	12.5	12.8	17.6	19.5
Supply - Including CSB-P with 1 x 90mm	≤0	7.7	≤0	5.5	11.8	7.9	14.6	15.5

Acoustic performance measured according to [EN ISO 7235](#)

Pressure Curve



Sound Data

	Octave Band (Hz) Insertion Loss, dB							
	63	125	250	500	1000	2000	4000	8000
Supply - Including CSB-P with 2 x 90mm	≤0	1.8	1.3	2.1	10.7	12.3	17.5	17.1

Acoustic performance measured according to [EN ISO 7235](#)

Slot diffuser, ComfoGrid Linea 400 for CSB-P 400

Article number: 990 321 790 / 990 321 791 / 990 321 792

Technical Specification

Finish	Black plaxiglass (RAL 9005) / White plexiglass (RAL 9016) / Brushed stainless steel
For use with	CSB-P 400 grille housing
Height	76 mm
Width	436 mm
Depth	3 mm
Spigot length	117 mm
Weight	0.47 kg
Lockable	Yes
Adjustable	Yes using adjustable airflow regulator (988 320 030 / 990 320 026 / 988 320 031 / 990 320 027)
Spare parts	Filter - 990 321 768 25 mm extension pin - 990 320 687 40 mm extension pin - 990 320 688 60 mm extension pin - 990 320 699

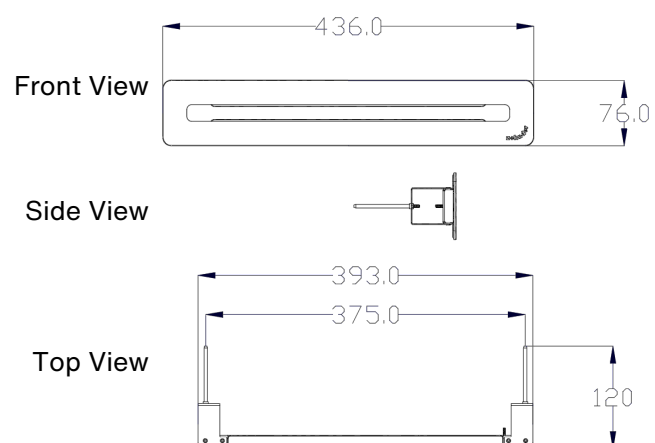
Info

For use in wall or ceiling applications with adjustable air direction fins. Supplied with pins as standard to fit to CSB-P, for deeper set housings within concrete, extension pins are available. Comes complete with fall protection fixing.

Rec. max flow 13.8 l/s (50 m³/h)



Dimensions



Slot diffuser, ComfoGrid Linea 600 for CSB-P 600

Article number: 990 321 793 / 990 321 794 / 990 321 795

Technical Specification

Finish	Black plaxiglass (RAL 9005) / White plexiglass (RAL 9016) / Brushed stainless steel
For use with	CSB-P 600 grille housing
Height	76 mm
Width	636 mm
Depth	3 mm
Spigot length	117 mm
Weight	0.84 kg
Lockable	Yes
Adjustable	Yes using adjustable airflow regulator (988 320 030 / 990 320 026 / 988 320 031 / 990 320 027)
Spare parts	Filter - 990 321 769 25 mm extension pin - 990 320 687 40 mm extension pin - 990 320 688 60 mm extension pin - 990 320 699

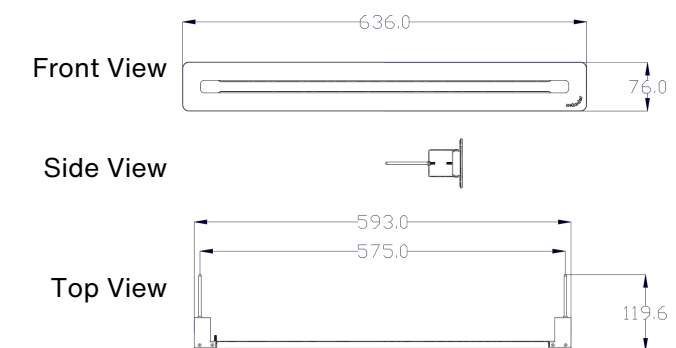
Info

For use in wall or ceiling applications with adjustable air direction fins. Supplied with pins as standard to fit to CSB-P, for deeper set housings within concrete, extension pins are available. Comes complete with fall protection fixing.

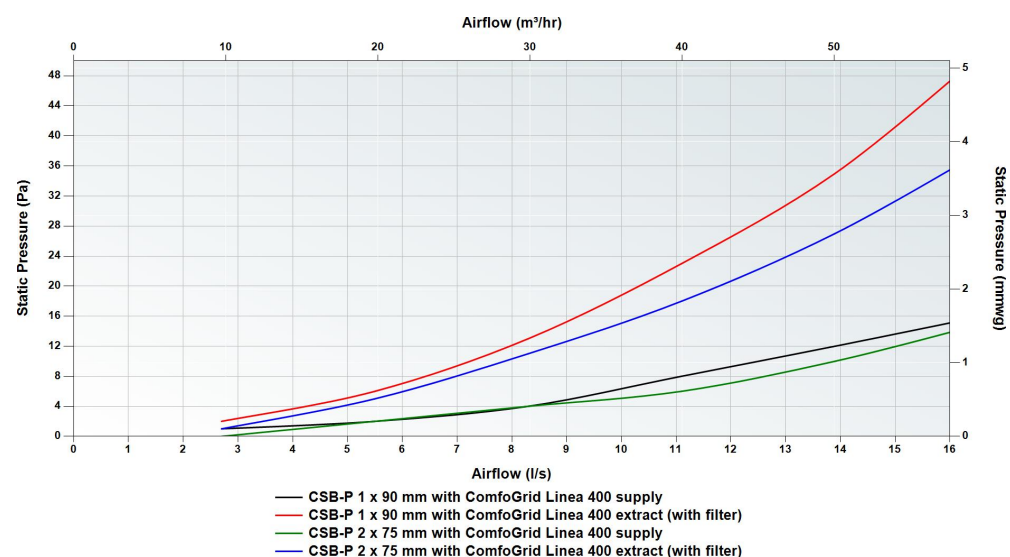
Rec. max flow 27.8 l/s (100 m³/h)



Dimensions



Pressure Curve

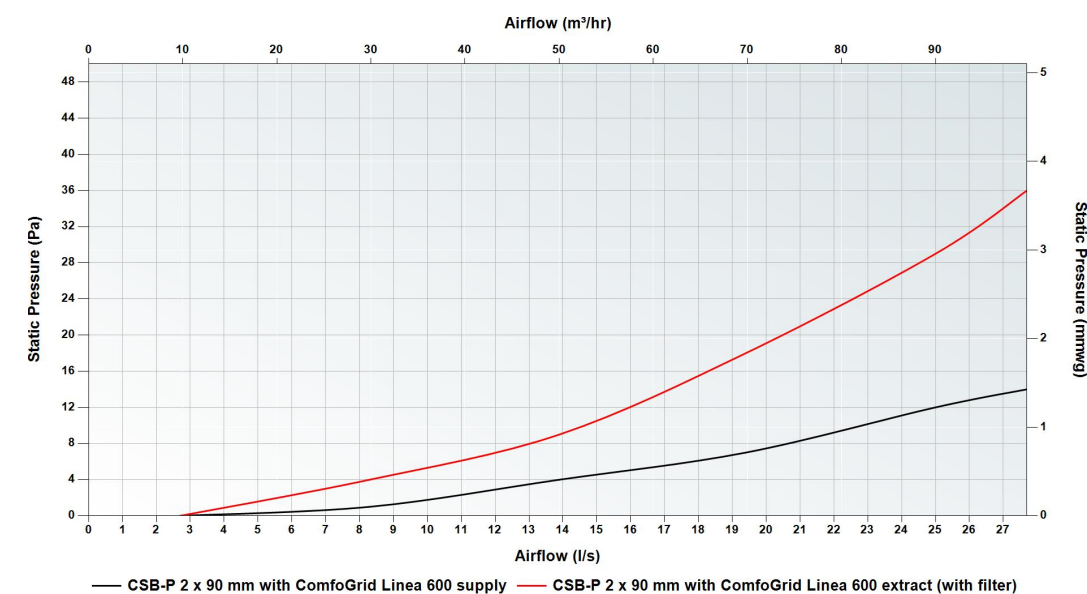


Sound Data

	Octave Band (Hz) Insertion Loss, dB							
	63	125	250	500	1000	2000	4000	8000
Supply - Including CSB-P with 2 x 75mm	≤0	1.9	1.7	2.4	9.4	14.1	16.3	17.7
Supply - Including CSB-P with 1 x 90mm	≤0	8.3	≤0	2.7	10.4	6.7	10.4	12.8

Acoustic performance measured according to [EN ISO 7235](#)

Pressure Curve



Sound Data

	Octave Band (Hz) Insertion Loss, dB							
	63	125	250	500	1000	2000	4000	8000
Supply - Including CSB-P with 2 x 90mm	≤0	0.8	0.7	0.8	10.2	11.4	14.9	15.8

Acoustic performance measured according to [EN ISO 7235](#)

Rectangular decorative grille for Renoventil, 180 x 112 mm, white

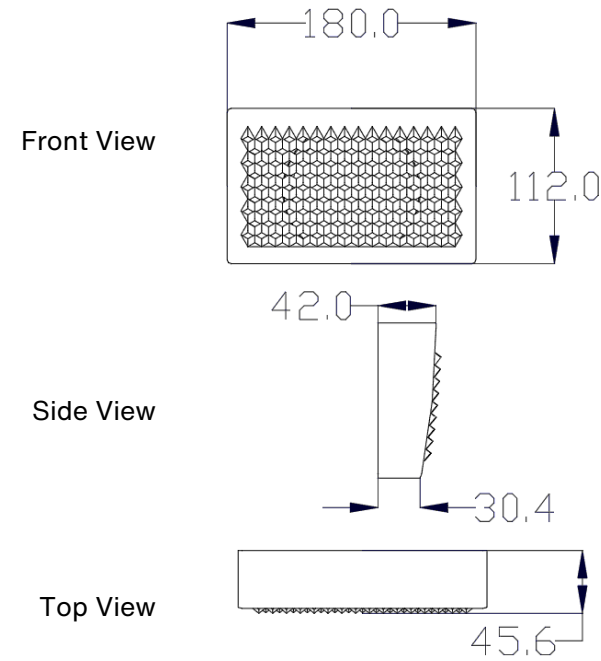
Article number: 990 326 253

Technical Specification

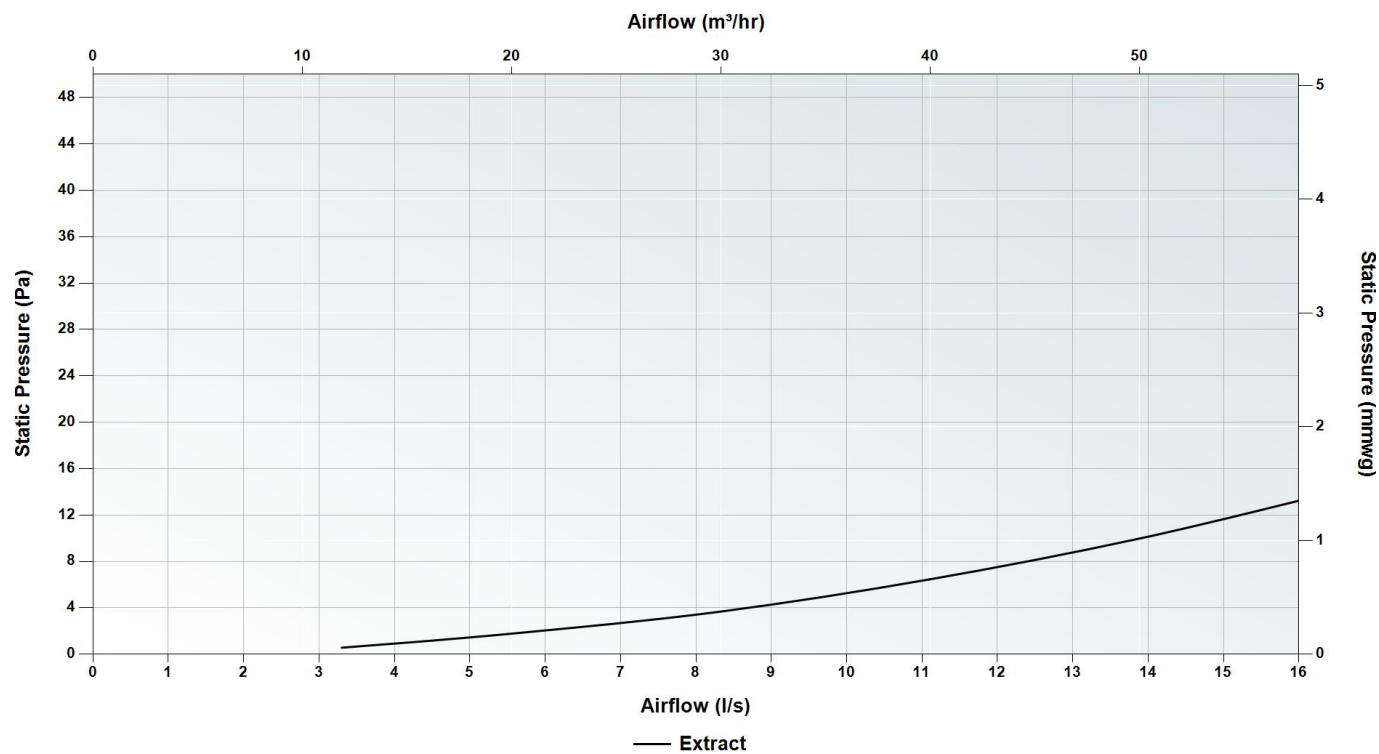
Finish	White (RAL 9016)
For use with	Renoventil housing 90 mm / Flat 51
Height	112 mm
Width	180 mm
Depth	45.6 mm
Weight	0.16 kg
Lockable	Yes
Adjustable	Yes using adjustable airflow regulator (988 320 030 / 990 320 026 / 988 320 031 / 990 320 027 / 990 322 015)
Spare parts	Filter - 990 320 031
Info	For use in wall applications. Renoventil connector protrusion must be between 16-20 mm from the finished wall to attach grille.
Rec. max flow	13.8 l/s (50 m ³ /h)



Dimensions



Pressure Curve



Circular decorative coanda effect grille for Renoventil, ø 90 mm, white

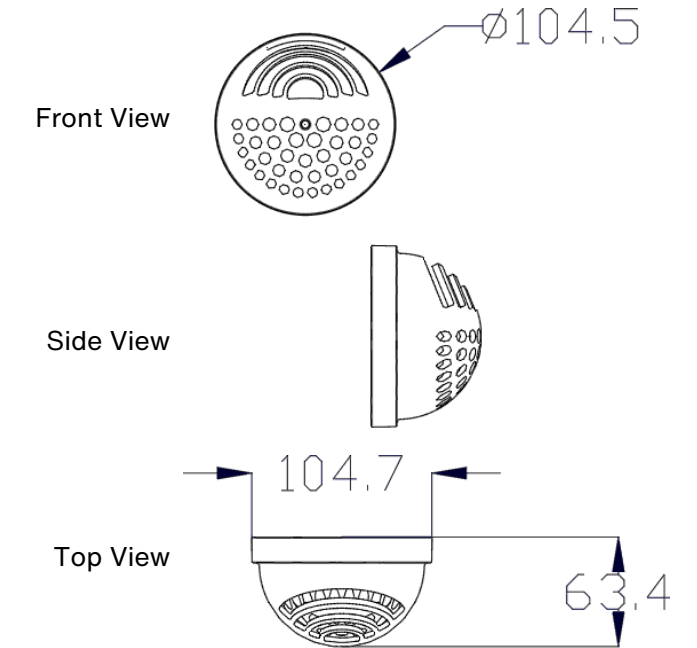
Article number: 990 326 254

Technical Specification

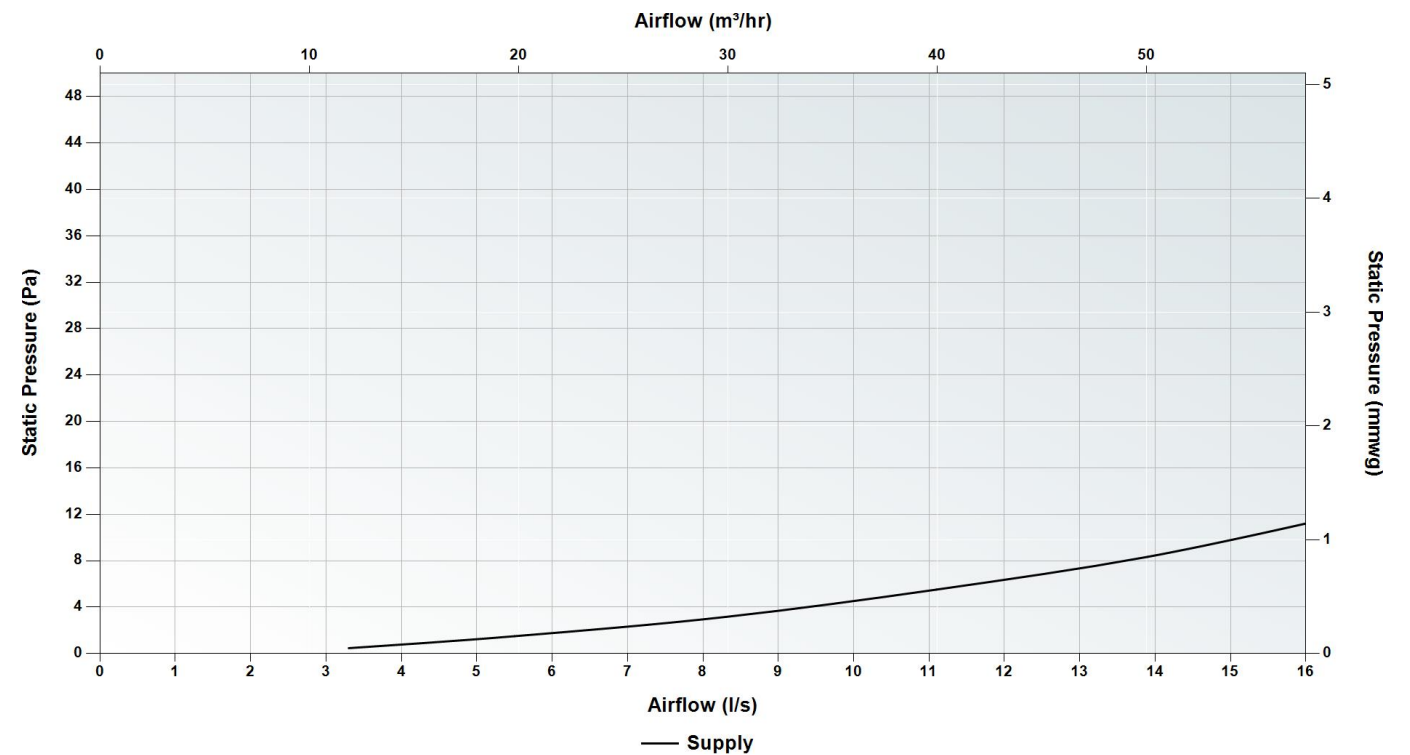
Finish	White (RAL 9016)
For use with	Renoventil housing 90 mm / Flat 51
Spigot diameter	90 mm
Facia diameter	104.7 mm
Weight	0.06 kg
Lockable	Yes
Adjustable	Yes using adjustable airflow regulator (988 320 030 / 990 320 026 / 988 320 031 / 990 320 027 / 990 322 015)
Spare parts	Filter - 990 320 031
Info	For use in wall applications. Renoventil connector protrusion must be between 16-20 mm from the finished wall to attach grille.
Rec. max flow	13.8 l/s (50 m ³ /h)



Dimensions



Pressure Curve



125 mm Round White Metal Fire Rated Extract Ceiling Valve

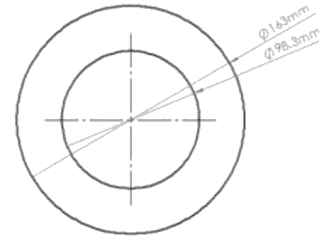
Article number: GG125FREV

Technical Specification

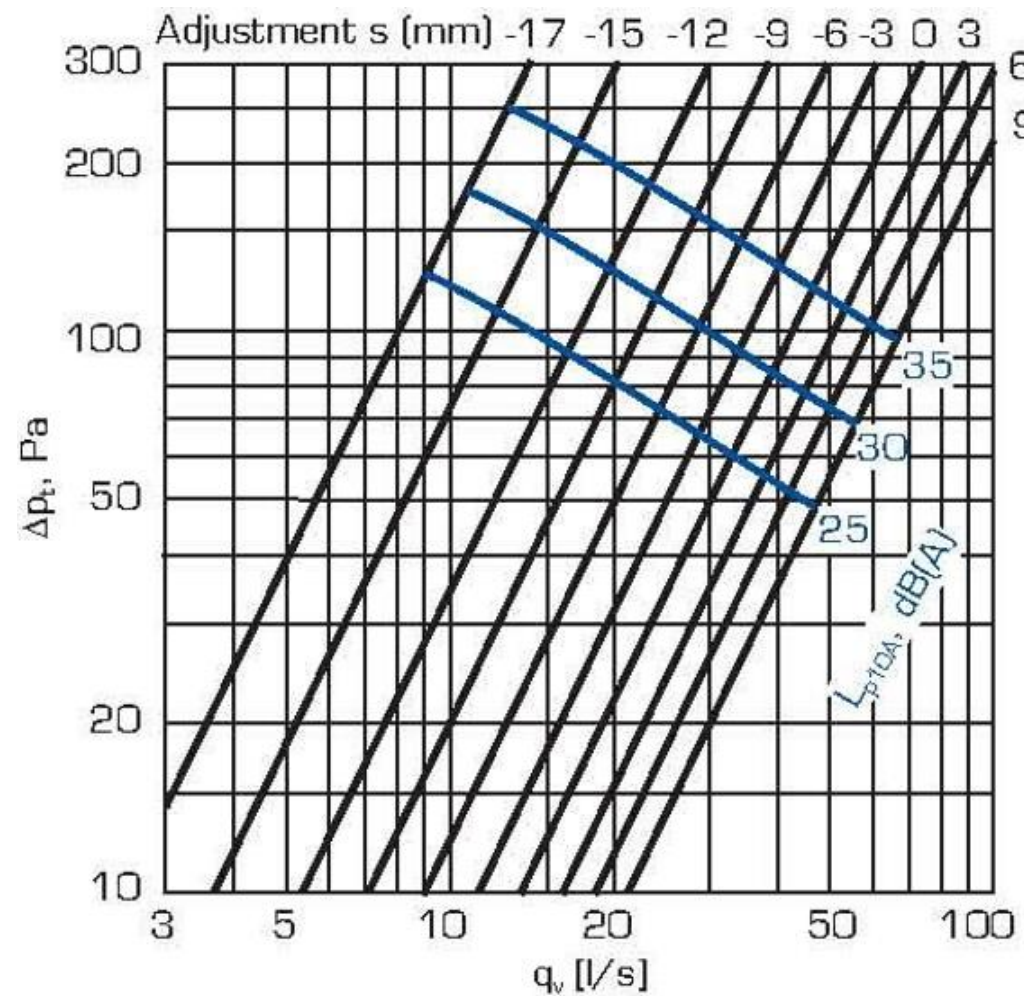
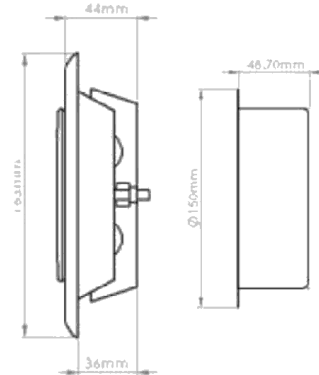
Fire rating	60 minutes to BS EN 1365-2: 1999
Finish	White (RAL 9010)
Spigot diameter	124 mm
Spigot length	46.7 mm
Facia diameter	163 mm
Weight	0.39 kg
Lockable	Yes
Adjustable	Yes
Info	Supplied with bayonet socket
Rec. max flow	30 l/s (108 m ³ /h)

**Dimensions**

Front View



Side View

**125 mm Round White Metal Fire Rated Supply Ceiling Valve**

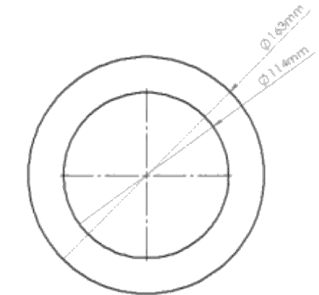
Article number: GG125FRSV

Technical Specification

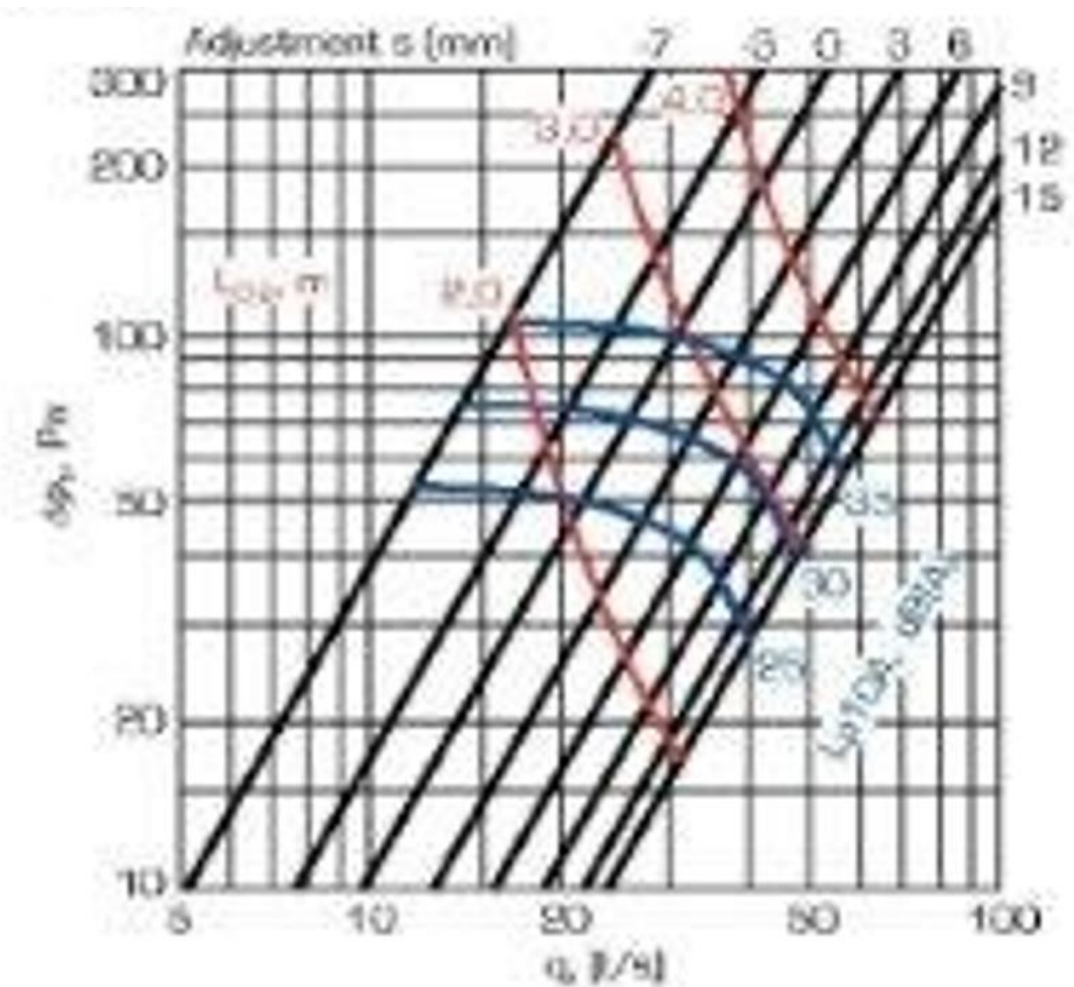
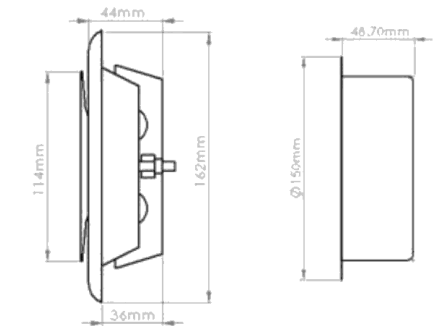
Fire rating	60 minutes to BS EN 1365-2: 1999
Finish	White (RAL 9010)
Spigot diameter	124 mm
Spigot length	46.7 mm
Facia diameter	163 mm
Weight	0.34 kg
Lockable	Yes
Adjustable	Yes
Info	Supplied with bayonet socket
Rec. max flow	30 l/s (108 m ³ /h)

**Dimensions**

Front View



Side View





Extract valve, ø 100 mm, fire rated, galvanised steel

Article number: KSOP100

Technical Specification

Fire rating

Conforms to [EN 1366-2](#) and [EN 13501-1](#) to class EI 15 (ve)S or E 120 (ve)S when installed through masonry or lightweight panel walls and EI 30 (ho)S or E 120 (ho)S when installed through masonry floors

Finish White (RAL 9010)

Spigot diameter 99 mm

Spigot length 75 mm

Facia diameter 139 mm

Weight 0.4 kg

Lockable Yes

Adjustable Yes

Info Supplied with bayonet socket

Rec. max flow 15 l/s (54 m³/h)

BIM/CAD Components

If you would like to download the BIM / CAD files for this or any other of our products then please visit our BIM library.

[TO VISIT OUR BIM/CAD LIBRARY](#)

[CLICK HERE](#)

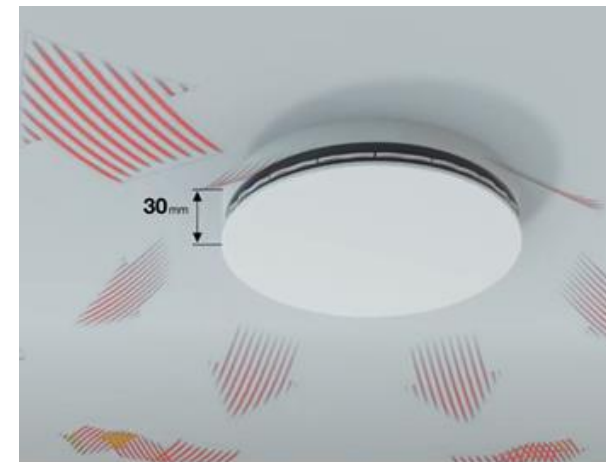
Installation Instructions

If you would like to download the installation files for this or any other of our products then please visit our download page by clicking the link below.

[TO VISIT OUR DOWNLOAD PAGE](#)

[CLICK HERE](#)

Our Informational Videos



Watch our video on how to install along with the benefits our Luna valve offers.

[TO WATCH OUR VIDEO](#)

[CLICK HERE](#)



Watch our video on how to change the Zehnder ComfoTube filter.

[TO WATCH OUR VIDEO](#)

[CLICK HERE](#)