

Zehnder Attenuators

Product data sheet

always the best climate



Attenuators

The Zehnder range of attenuators offer a wide range of sizes to cater for all system types.

Key Features

- Wide range of sizes and options
- High quality construction throughout
- Excellent sound absorbing properties

Article Numbers

Description	Product Code
Flexible	
Attenuator, Flexible, ø 125 mm, length 500 mm	990 318 036
Attenuator, Flexible, ø 150 mm, length 500 mm	990 318 037
Attenuator, Flexible, ø 125 mm, length 1000 mm	990 318 031
Attenuator, Flexible, ø 160 mm, length 1000 mm	990 318 033
Attenuator, Flexible, ø 180 mm, length 1000 mm	990 318 034
ComfoSilence Rigid Rectangular	
Attenuator, CSI, ø 125 mm, length 700 mm	990 318 243
Attenuator, CSI, ø 160 mm, length 700 mm	990 318 245
Attenuator, CSI, ø 180 mm centric, length 700 mm	990 318 242
Attenuator, CSI, ø 180 mm eccentric, length 900 mm	990 318 241
Attenuator, CSI, ø 200 mm, length 700 mm	990 318 251
Rigid Round	
Attenuator, ø 100 mm, length 600 mm, galvanised steel	CA100600
Attenuator, ø 125 mm, length 600 mm, galvanised steel	CA125600
Attenuator, ø 150 mm, length 600 mm, galvanised steel	CA150600
Attenuator, ø 160 mm, length 600 mm, galvanised steel	CA160600
Attenuator, ø 200 mm, length 600 mm, galvanised steel	CA200600

Attenuator Sound Data Overview

	Octave Band (Hz) Insertion Loss, dB							
	63	125	250	500	1000	2000	4000	8000
Attenuator, Flexible, ø 125 mm, length 500 mm	10	15	19	21	21	27	18	8
Attenuator, Flexible, ø 150 mm, length 500 mm	9	14	20	20	17	25	17	7
Attenuator, Flexible, ø 125 mm, length 1000 mm		7	13	24	41	45	29	28
Attenuator, Flexible, ø 160 mm, length 1000 mm		5	10	21	39	30	20	18
Attenuator, Flexible, ø 180 mm, length 1000 mm		4	10	19	36	28	18	17
Attenuator, CSI, ø 125 mm, length 700 mm	7.4	9.3	14.9	23.6	29.8	24.1	30.5	26.3
Attenuator, CSI, ø 160 mm, length 700 mm	4.3	9.5	13.3	13.7	22.1	18.9	20.7	18.2
Attenuator, CSI, ø 180 mm centric, length 700 mm	8.6	9.8	17.7	19.3	23.5	21.4	30.3	25.7
Attenuator, CSI, ø 180 mm eccentric, length 900 mm	10	13.3	19.5	23.8	32.4	25.7	33.9	30.2
Attenuator, CSI, ø 200 mm, length 700 mm	8.3	9.2	18.2	19.6	18	17.4	25	22
Attenuator, ø 100 mm, length 600 mm, galvanised steel	1	6	13	19	29	45	28	23
Attenuator, ø 125 mm, length 600 mm, galvanised steel	1	6	10	15	26	40	24	22
Attenuator, ø 150 mm, length 600 mm, galvanised steel	1	4	9	15	25	29	15	13
Attenuator, ø 160 mm, length 600 mm, galvanised steel	1	5	8	13	24	29	14	15
Attenuator, ø 200 mm, length 600 mm, galvanised steel	1	3	6	11	25	20	11	12

Acoustic performance measured according to [EN ISO 7235](#)

Attenuator, Flexible, ø 125 mm, length 500 mm

Article number: 990 318 036

Description

Flexible attenuator:

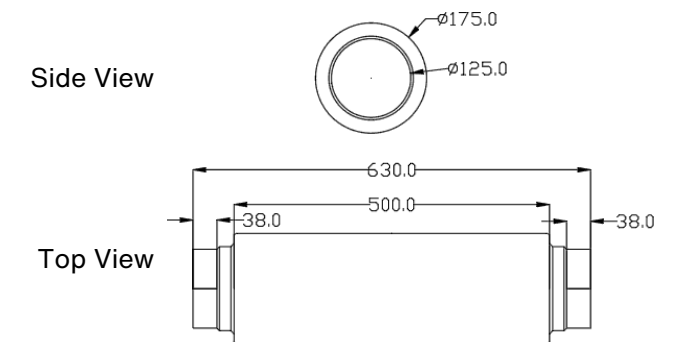
Zehnder circular flexible attenuator, internally insulated to provide excellent sound insulation. Can be connected directly to the top of the ComfoAir 155WM/WMe units.

Technical Specification

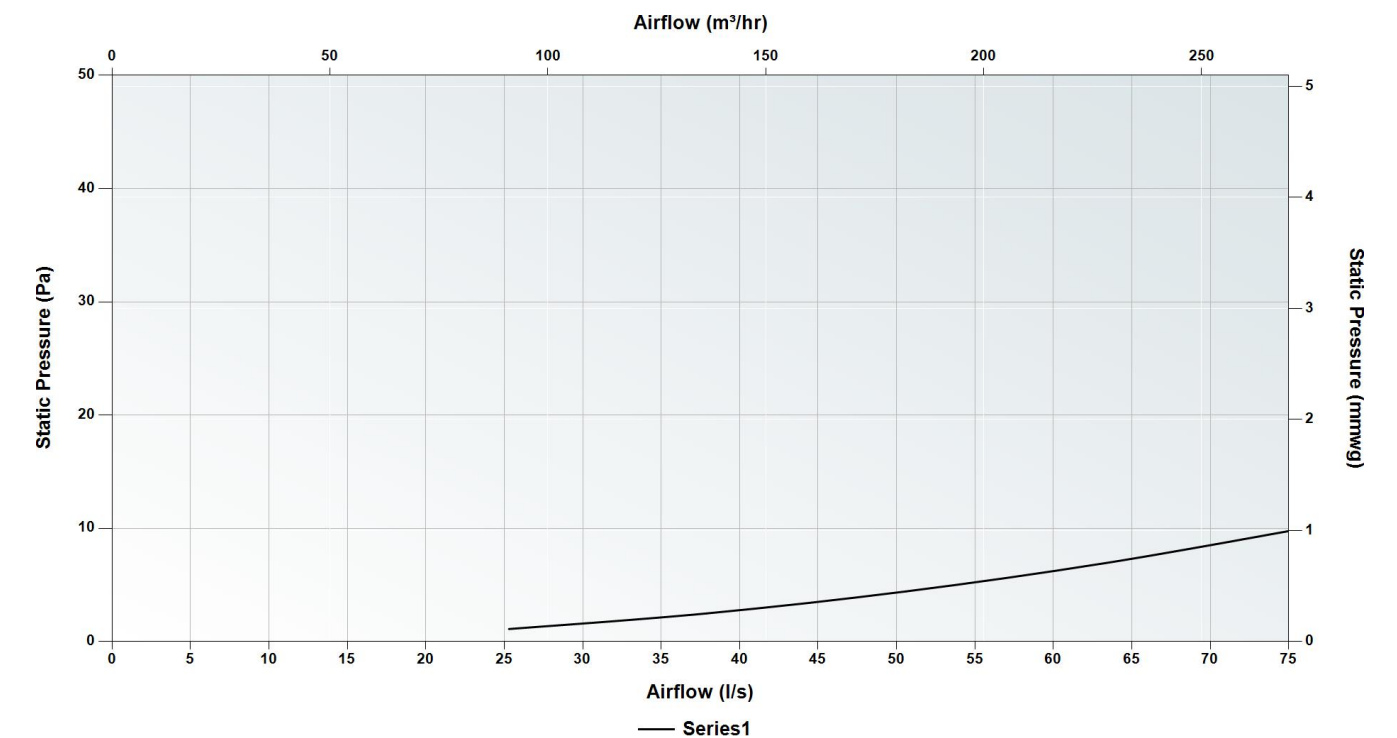
Outside diameter	175 mm
Inside diameter	125 mm
Length	630 mm
Connection	Female to Female
Weight	0.53 kg
Material	Aluminium
Operating temperature range	-30°C - 140°C
Minimum bending radius	1 x ID + 25 mm
Insulation	25 mm glass wool
Thermal Resistance	0.67 m ² K/W
EN 13501-1 classification	A1
Conforms to EN 13180	Yes



Dimensions



Pressure Curve



Sound Data

	Octave Band (Hz) Insertion Loss, dB							
	63	125	250	500	1000	2000	4000	8000
Attenuator, Flexible, ø 125 mm, length 500 mm	10	15	19	21	21	27	18	8

Acoustic performance measured according to [EN ISO 7235](#)

Attenuator, Flexible, ø 150 mm, length 500 mm

Article number: 990 318 037

Description

Flexible attenuator:

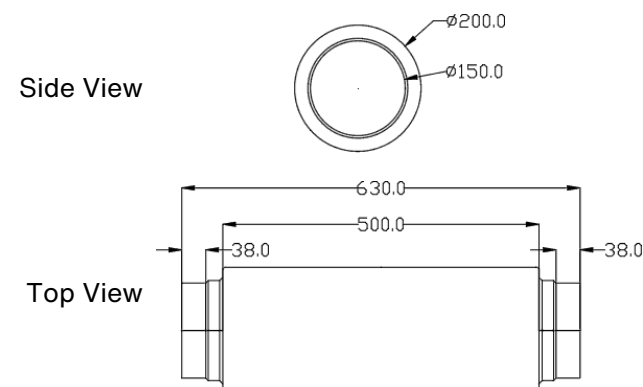
Zehnder circular flexible attenuator, internally insulated to provide excellent sound insulation.

Technical Specification

Outside diameter	200 mm
Inside diameter	150 mm
Length	630 mm
Connection	Female to Female
Weight	0.63 kg
Material	Aluminium
Operating temperature range	-30°C - 140°C
Minimum bending radius	1 x ID + 25 mm
Insulation	25 mm glass wool
Thermal Reistance	0.67 m ² K/W
EN 13501-1 classification	A1
Conforms to EN 13180	Yes



Dimensions



Attenuator, Flexible, ø 125 mm, length 1000 mm

Article number: 990 318 031

Description

Flexible attenuator:

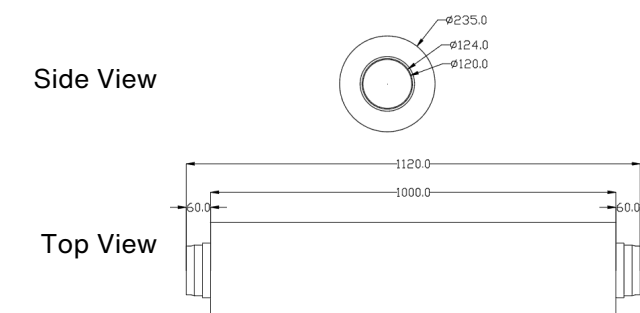
Zehnder circular flexible attenuator, internally insulated to provide excellent sound insulation.

Technical Specification

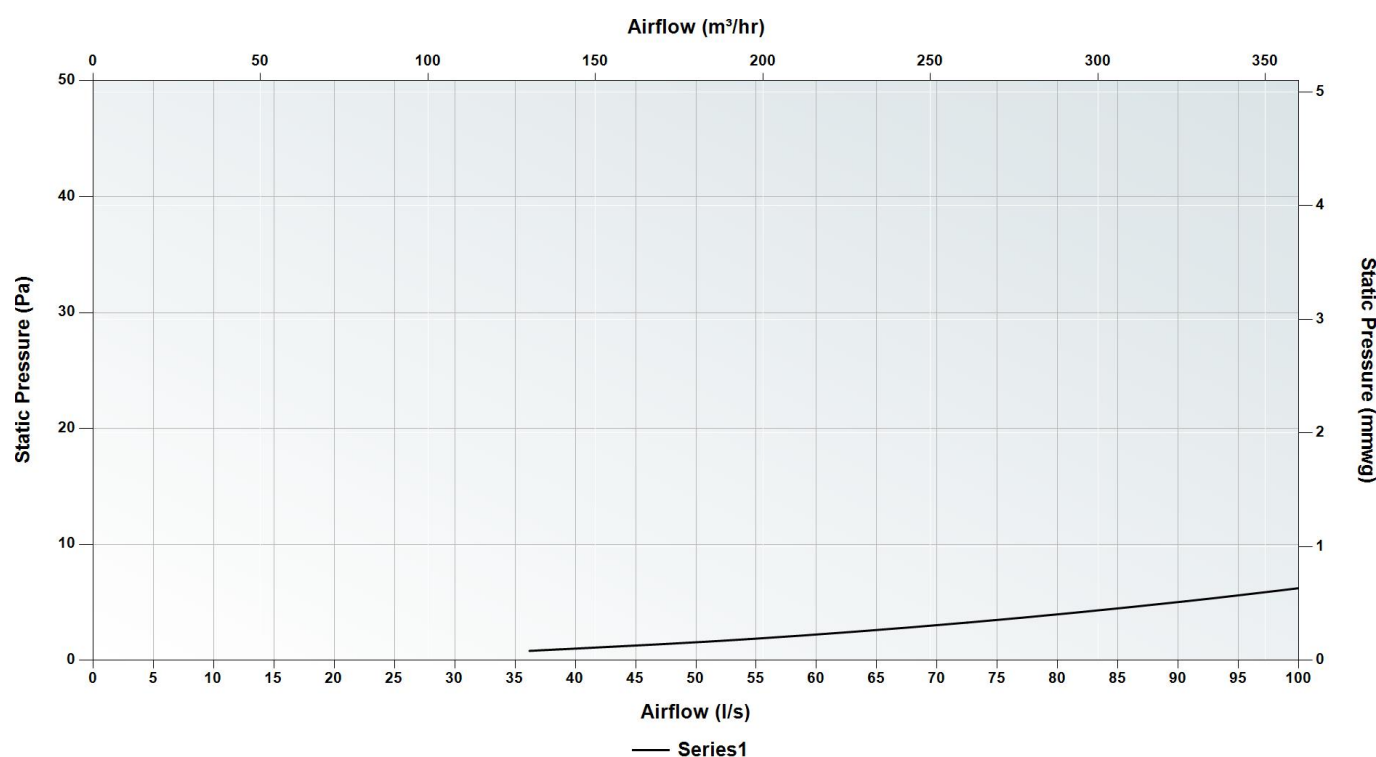
Outside diameter	224 mm
Inside diameter	125 mm
Length	1120 mm
Connection	Male to Male
Weight	1.55 kg
Material	Aluminium
Operating temperature range	-125°C - 200°C
Minimum bending radius	3 x OD
Insulation	25 mm glass wool
Thermal Reistance	0.65 m ² K/W
EN 13501-1 classification (inner duct / outer material)	A1 / B-s1-d0
Conforms to EN 13180	Yes



Dimensions



Pressure Curve

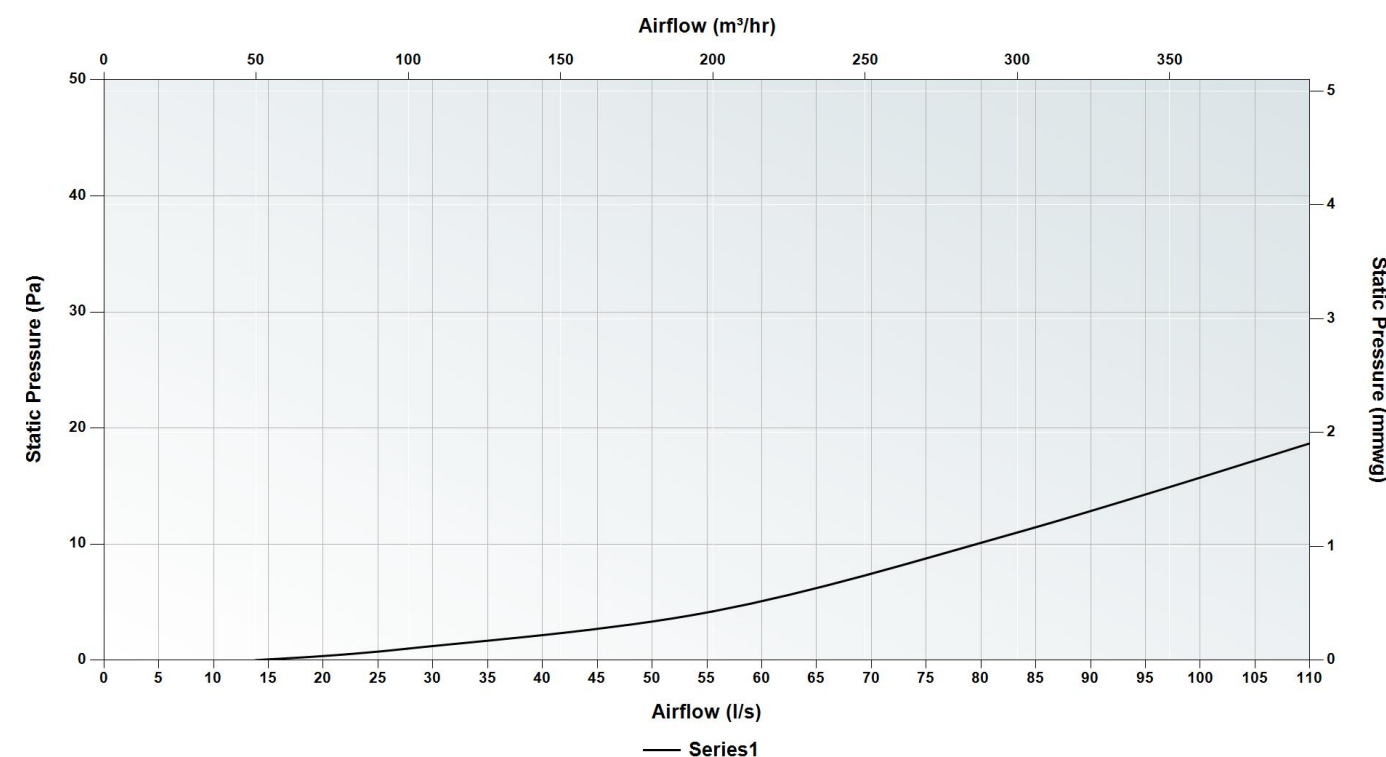


Sound Data

	Octave Band (Hz) Insertion Loss, dB							
	63	125	250	500	1000	2000	4000	8000
Attenuator, Flexible, ø 150 mm, length 500 mm	9	14	20	20	17	25	17	7

Acoustic performance measured according to [EN ISO 7235](#)

Pressure Curve



Sound Data

	Octave Band (Hz) Insertion Loss, dB							
	63	125	250	500	1000	2000	4000	8000
Attenuator, Flexible, ø 125 mm, length 1000 mm	7	13	24	41	45	29	28	

Acoustic performance measured according to [EN ISO 7235](#)

Attenuator, Flexible, ø 160 mm, length 1000 mm

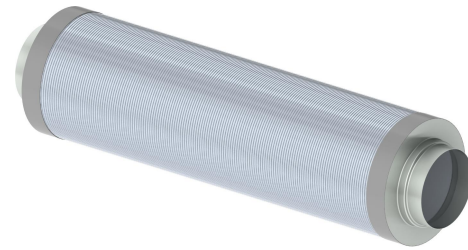
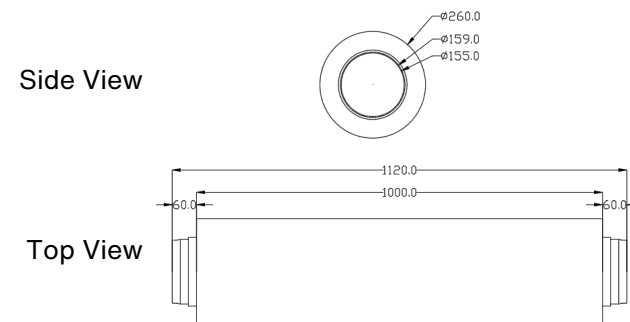
Article number: 990 318 033

Description**Flexible attenuator:**

Zehnder circular flexible attenuator, internally insulated to provide excellent sound insulation.

Technical Specification

Outside diameter	250 mm
Inside diameter	160 mm
Length	1120 mm
Connection	Male to Male
Weight	1.56 kg
Material	Aluminium
Operating temperature range	-125°C - 200°C
Minimum bending radius	3 x OD
Insulation	25 mm glass wool
Thermal Reistance	0.65 m ² K/W
EN 13501-1 classification (inner duct / outer material)	A1 / B-s1-d0
Conforms to EN 13180	Yes

**Dimensions****Attenuator, Flexible, ø 180 mm, length 1000 mm**

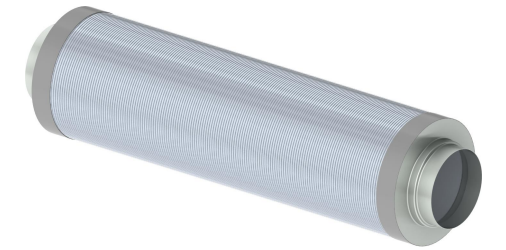
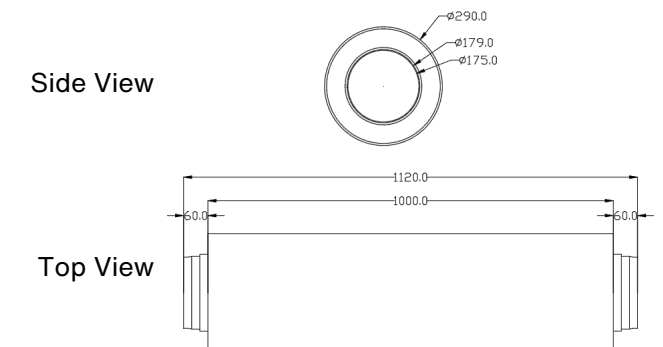
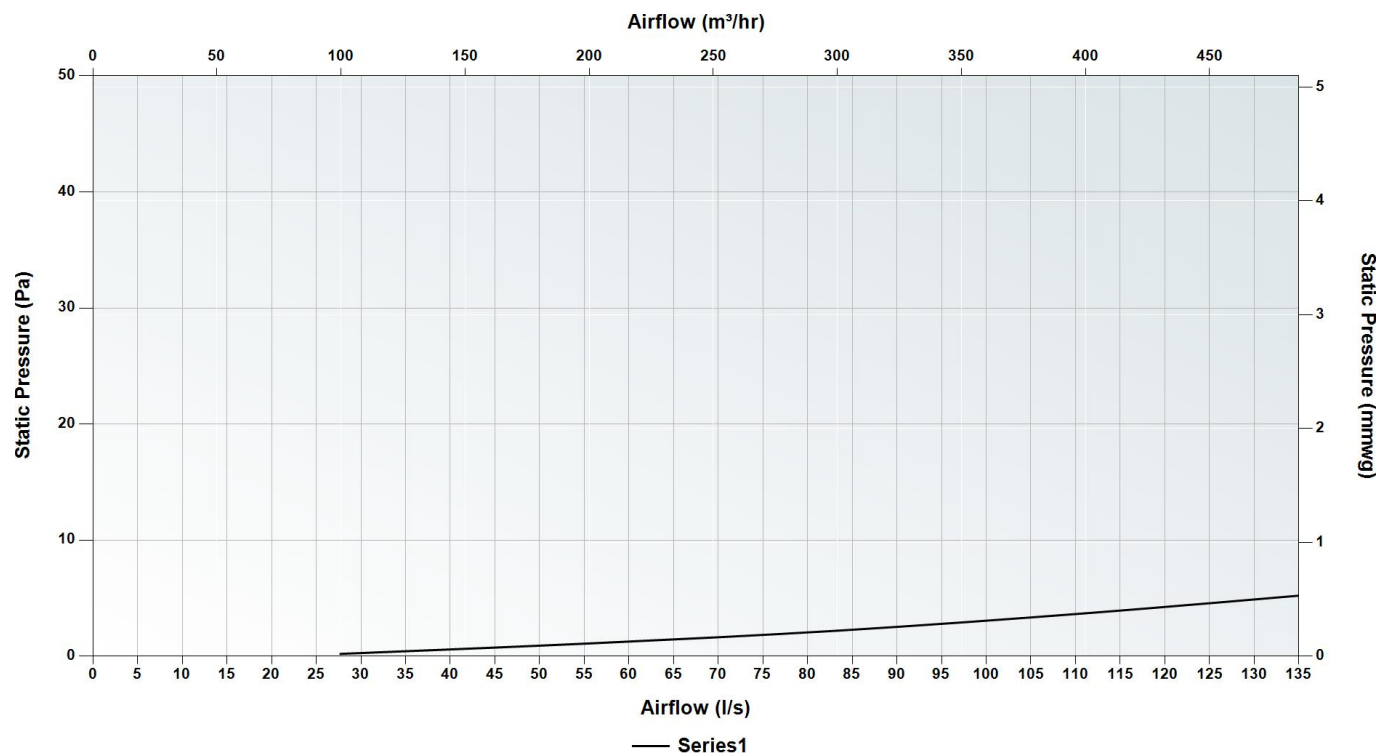
Article number: 990 318 034

Description**Flexible attenuator:**

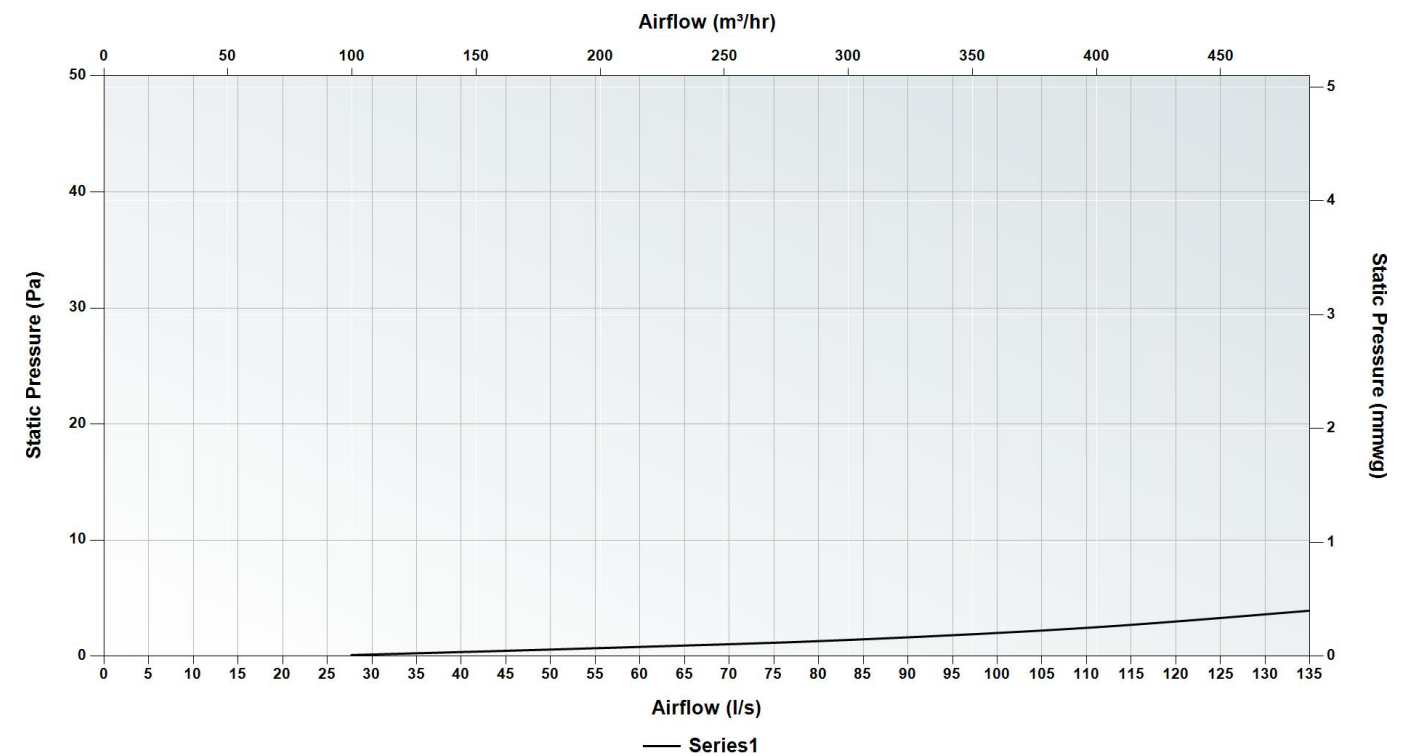
Zehnder circular flexible attenuator, internally insulated to provide excellent sound insulation.

Technical Specification

Outside diameter	280 mm
Inside diameter	180 mm
Length	1120 mm
Connection	Male to Male
Weight	1.89 kg
Material	Aluminium
Operating temperature range	-125°C - 200°C
Minimum bending radius	3 x OD
Insulation	25 mm glass wool
Thermal Reistance	0.65 m ² K/W
EN 13501-1 classification (inner duct / outer material)	A1 / B-s1-d0
Conforms to EN 13180	Yes

**Dimensions****Pressure Curve****Sound Data**

	Octave Band (Hz) Insertion Loss, dB							
	63	125	250	500	1000	2000	4000	8000
Attenuator, Flexible, ø 160 mm, length 1000 mm		5	10	21	39	30	20	18

Acoustic performance measured according to [EN ISO 7235](#)**Pressure Curve****Sound Data**

	Octave Band (Hz) Insertion Loss, dB							
	63	125	250	500	1000	2000	4000	8000
Attenuator, Flexible, ø 180 mm, length 1000 mm		4	10	19	36	28	18	17

Acoustic performance measured according to [EN ISO 7235](#)

Attenuator, CSI, \varnothing 125 mm, length 700 mm

Article number: 990 318 243

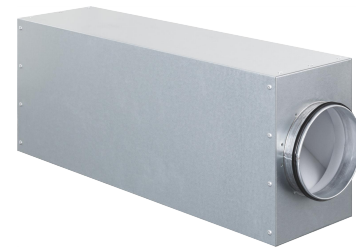
Description

ComfoSilence rigid rectangular attenuator:

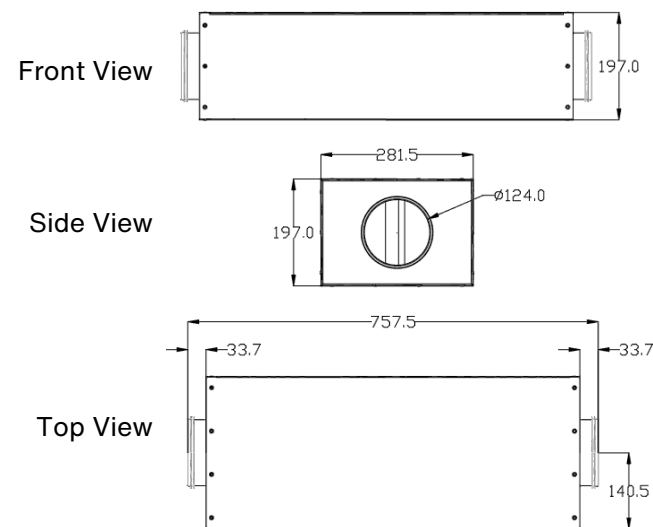
Zehnder ComfoSilence rigid attenuator, flow optimised and internally insulated to provide excellent sound insulation.

Technical Specification

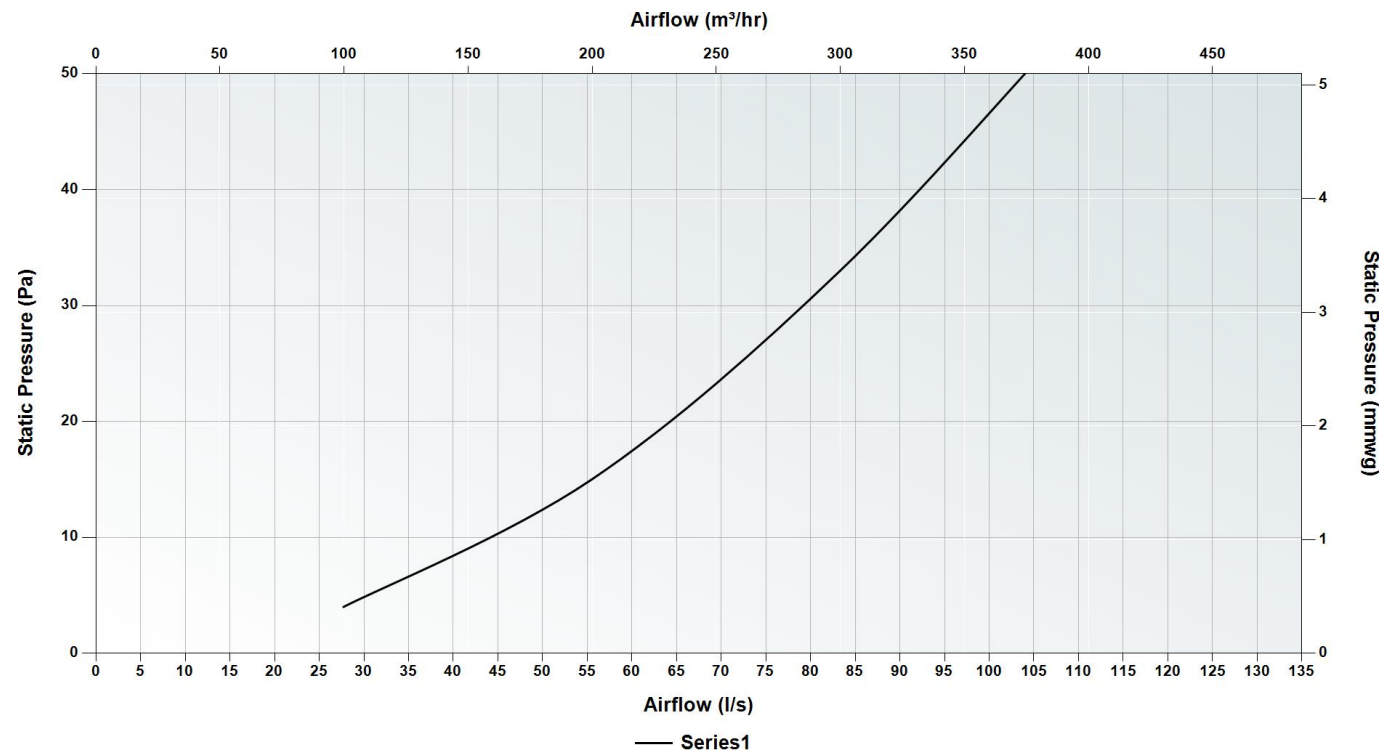
Height	197 mm
Width	281 mm
Length	758 mm
Spigot size	125 mm
Connection	Male to Male
Weight	5.75 kg
Material	Galvanised steel
Operating temperature range	-25°C - 60°C
Insulation	20 mm Basotect G+
Thermal Reistance	0.57 m ² K/W
EN 13501-1 classification (inner duct / outer material)	A1 / B-s1-d0



Dimensions



Pressure Curve



Sound Data

	Octave Band (Hz) Insertion Loss, dB							
	63	125	250	500	1000	2000	4000	8000
Attenuator, CSI, \varnothing 125 mm, length 700 mm	7.4	9.3	14.9	23.6	29.8	24.1	30.5	26.3

Acoustic performance measured according to EN ISO 7235

Attenuator, CSI, \varnothing 160 mm, length 700 mm

Article number: 990 318 245

Description

ComfoSilence rigid rectangular attenuator:

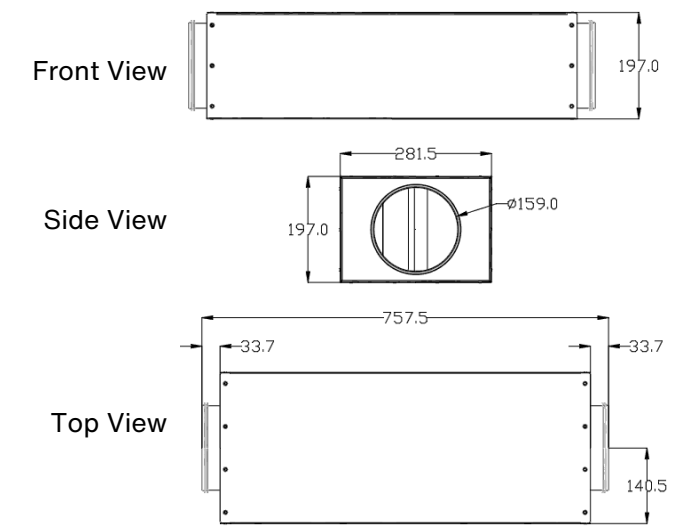
Zehnder ComfoSilence rigid attenuator, flow optimised and internally insulated to provide excellent sound insulation.

Technical Specification

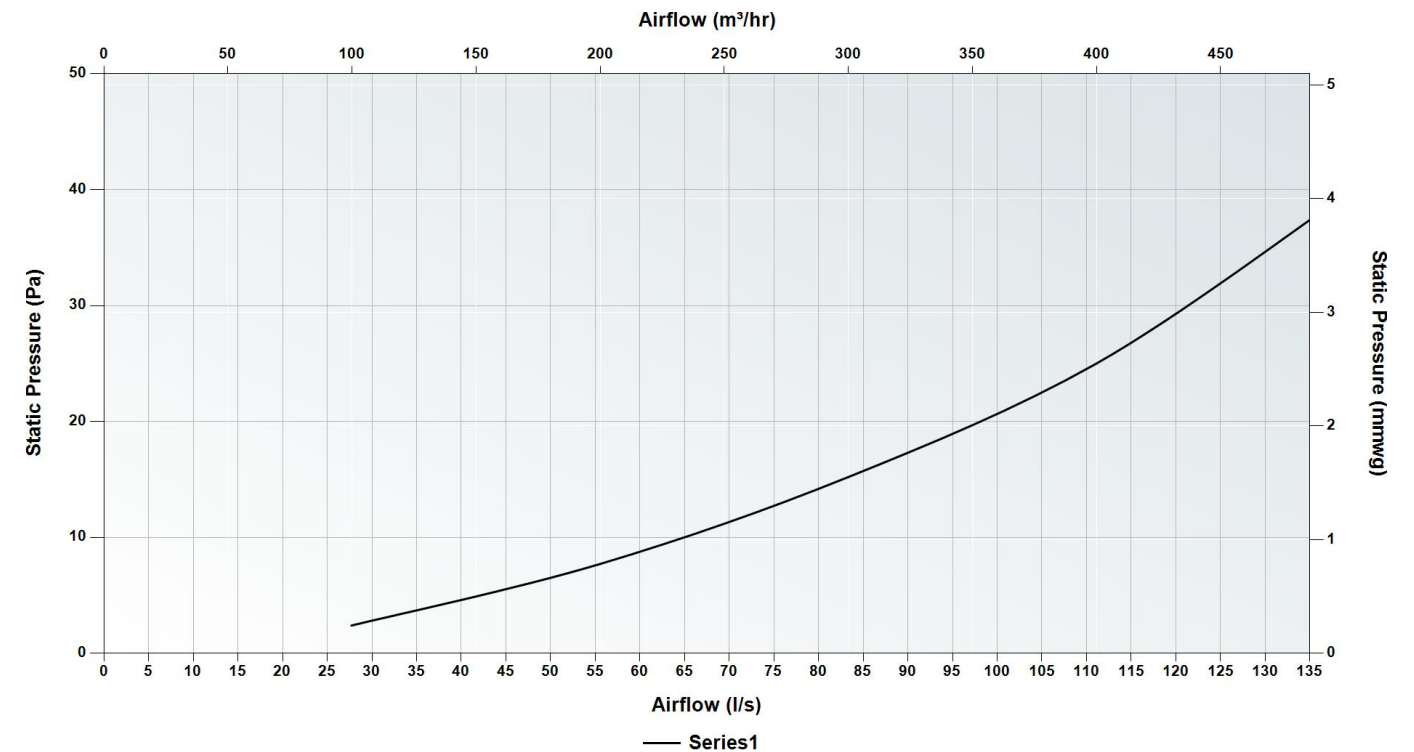
Height	197 mm
Width	281 mm
Length	758 mm
Spigot size	160 mm
Connection	Male to Male
Weight	5.5 kg
Material	Galvanised steel
Operating temperature range	-25°C - 60°C
Insulation	20 mm Basotect G+
Thermal Reistance	0.57 m ² K/W
EN 13501-1 classification (inner duct / outer material)	A1 / B-s1-d0



Dimensions



Pressure Curve



Sound Data

	Octave Band (Hz) Insertion Loss, dB							
	63	125	250	500	1000	2000	4000	8000
Attenuator, CSI, \varnothing 160 mm, length 700 mm	4.3	9.5	13.3	13.7	22.1	18.9	20.7	18.2

Acoustic performance measured according to EN ISO 7235

Attenuator, CSI, \varnothing 180 mm centric, length 700 mm

Article number: 990 318 242

Description

ComfoSilence rigid rectangular attenuator:

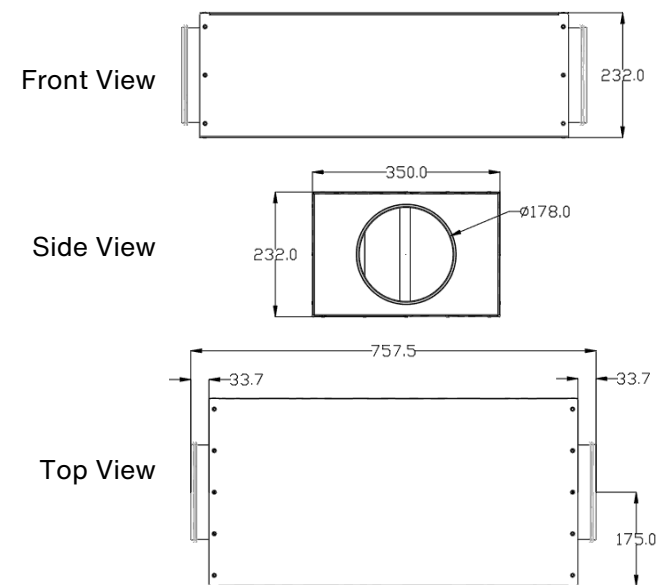
Zehnder ComfoSilence rigid attenuator, flow optimised and internally insulated to provide excellent sound insulation.

Technical Specification

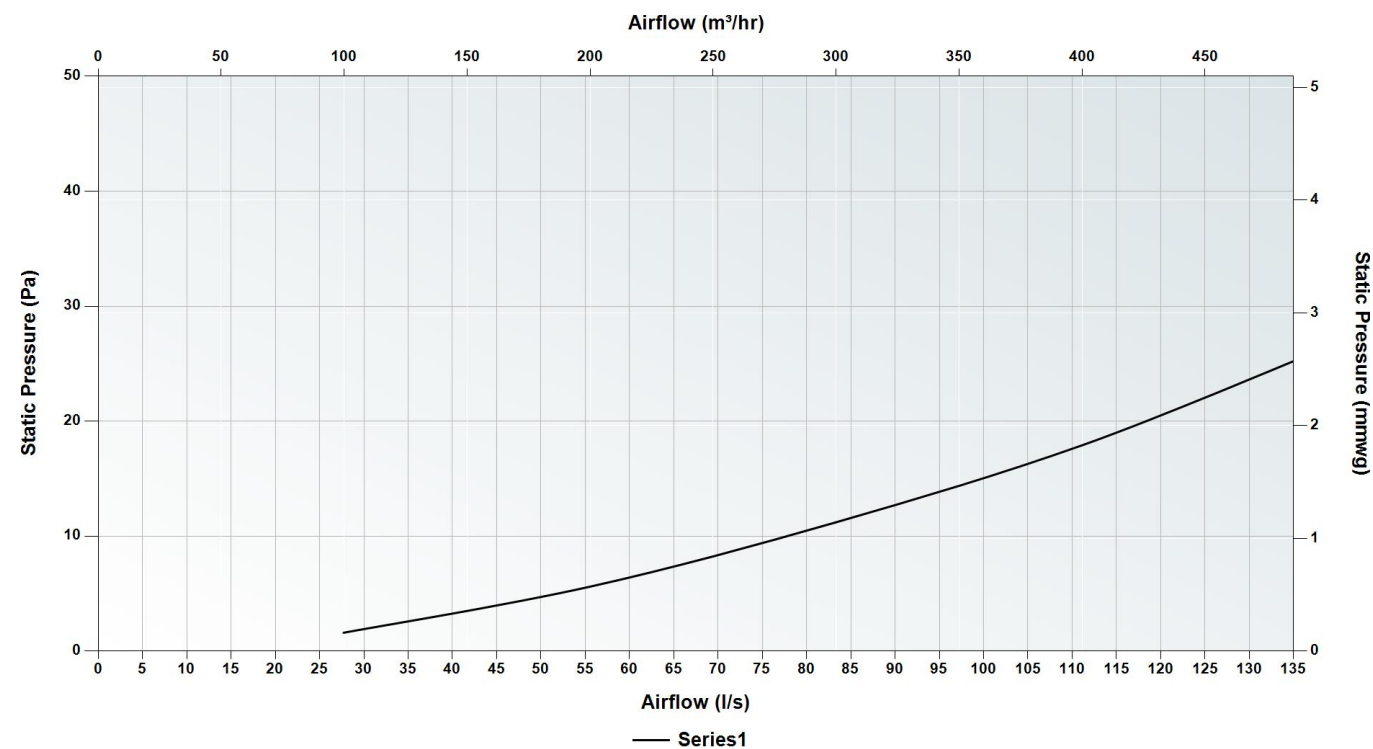
Height	232 mm
Width	350 mm
Length	758 mm
Spigot size	180 mm
Connection	Male to Male
Weight	6.5 kg
Material	Galvanised steel
Operating temperature range	-25°C - 60°C
Insulation	20 mm Basotect G+
Thermal Reistance	0.57 m ² K/W
EN 13501-1 classification (inner duct / outer material)	A1 / B-s1-d0



Dimensions



Pressure Curve



Sound Data

	Octave Band (Hz) Insertion Loss, dB							
	63	125	250	500	1000	2000	4000	8000
Attenuator, CSI, \varnothing 180 mm centric, length 700 mm	8.6	9.8	17.7	19.3	23.5	21.4	30.3	25.7

Acoustic performance measured according to [EN ISO 7235](#)

Attenuator, CSI, \varnothing 180 mm eccentric, length 900 mm

Article number: 990 318 241

Description

ComfoSilence rigid rectangular attenuator:

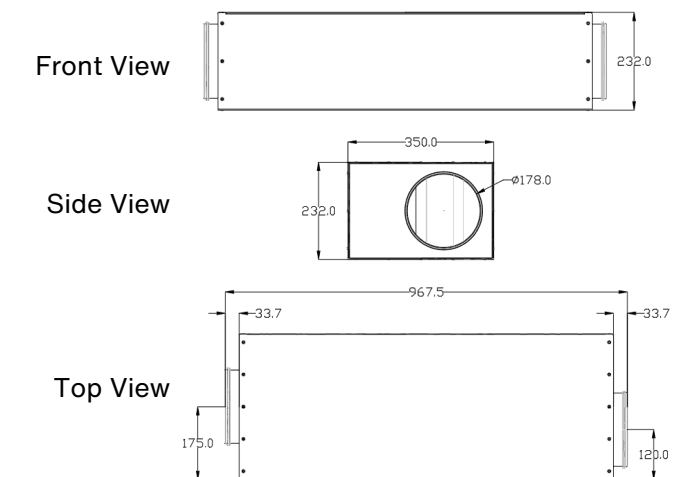
Zehnder ComfoSilence rigid attenuator, flow optimised and internally insulated to provide excellent sound insulation. With offset eccentric spigot.

Technical Specification

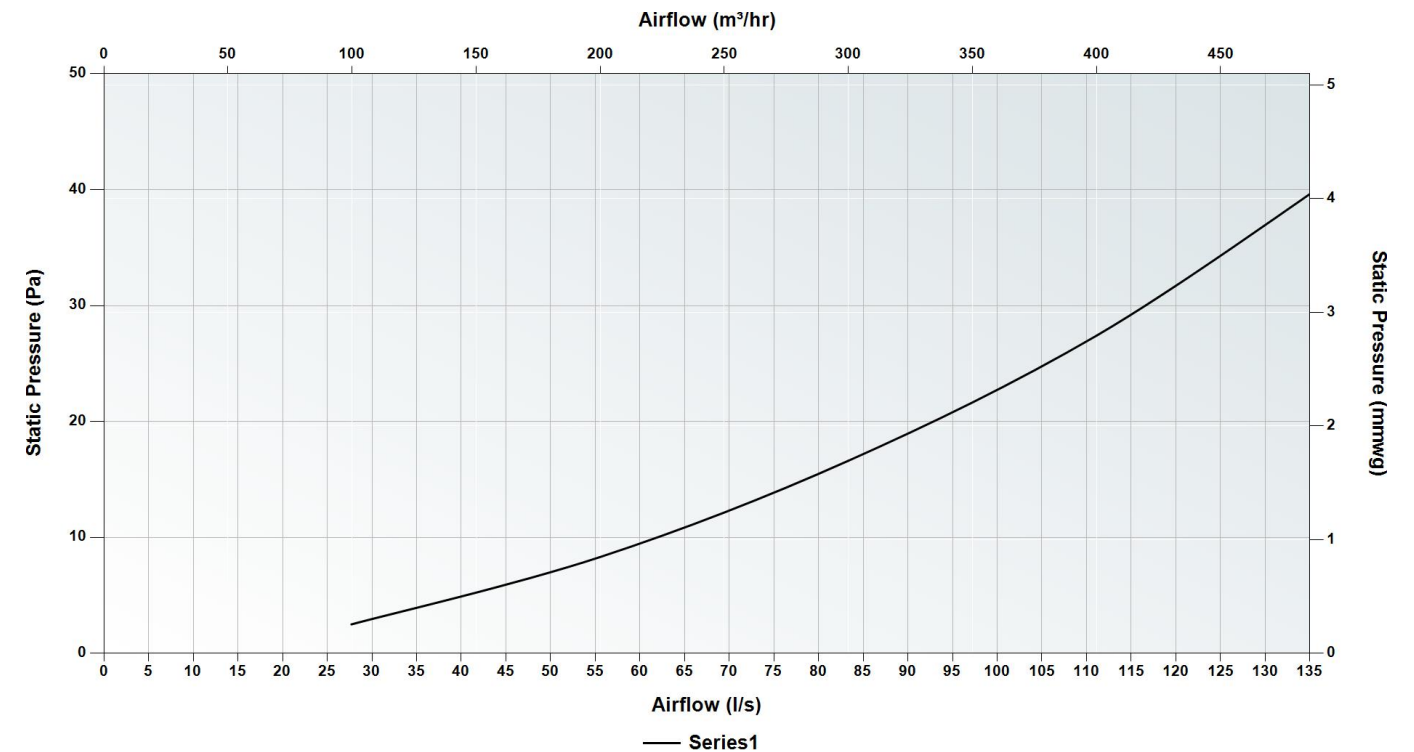
Height	232 mm
Width	350 mm
Length	968 mm
Spigot size	180 mm
Connection	Male to Male
Weight	8.1 kg
Material	Galvanised steel
Operating temperature range	-25°C - 60°C
Insulation	20 mm Basotect G+
Thermal Reistance	0.57 m ² K/W
EN 13501-1 classification (inner duct / outer material)	A1 / B-s1-d0



Dimensions



Pressure Curve



Sound Data

	Octave Band (Hz) Insertion Loss, dB							
	63	125	250	500	1000	2000	4000	8000
Attenuator, CSI, \varnothing 180 mm eccentric, length 900 mm	10	13.3	19.5	23.8	32.4	25.7	33.9	30.2

Acoustic performance measured according to [EN ISO 7235](#)



Attenuator, CSI, ø 200 mm, length 700 mm

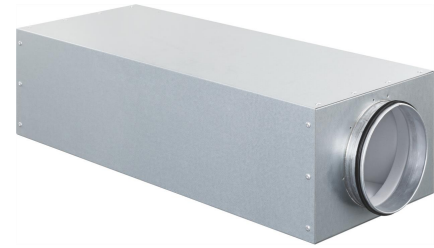
Article number: 990 318 251

Description

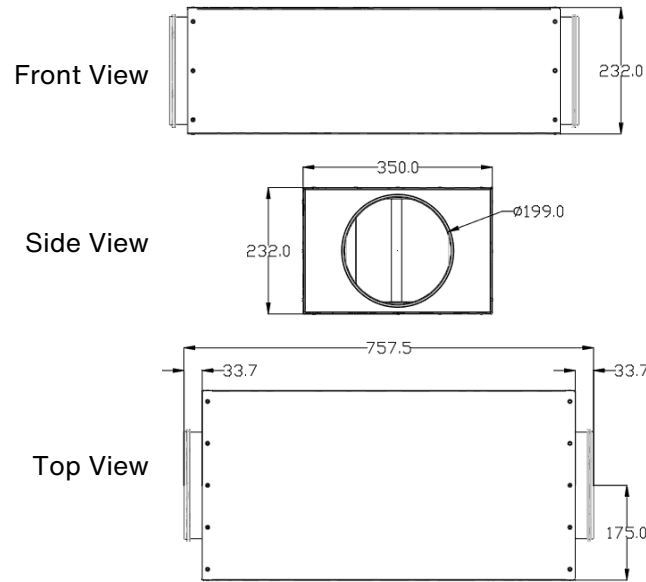
ComfoSilence rigid rectangular attenuator:
Zehnder ComfoSilence rigid attenuator, flow optimised and internally insulated to provide excellent sound insulation.

Technical Specification

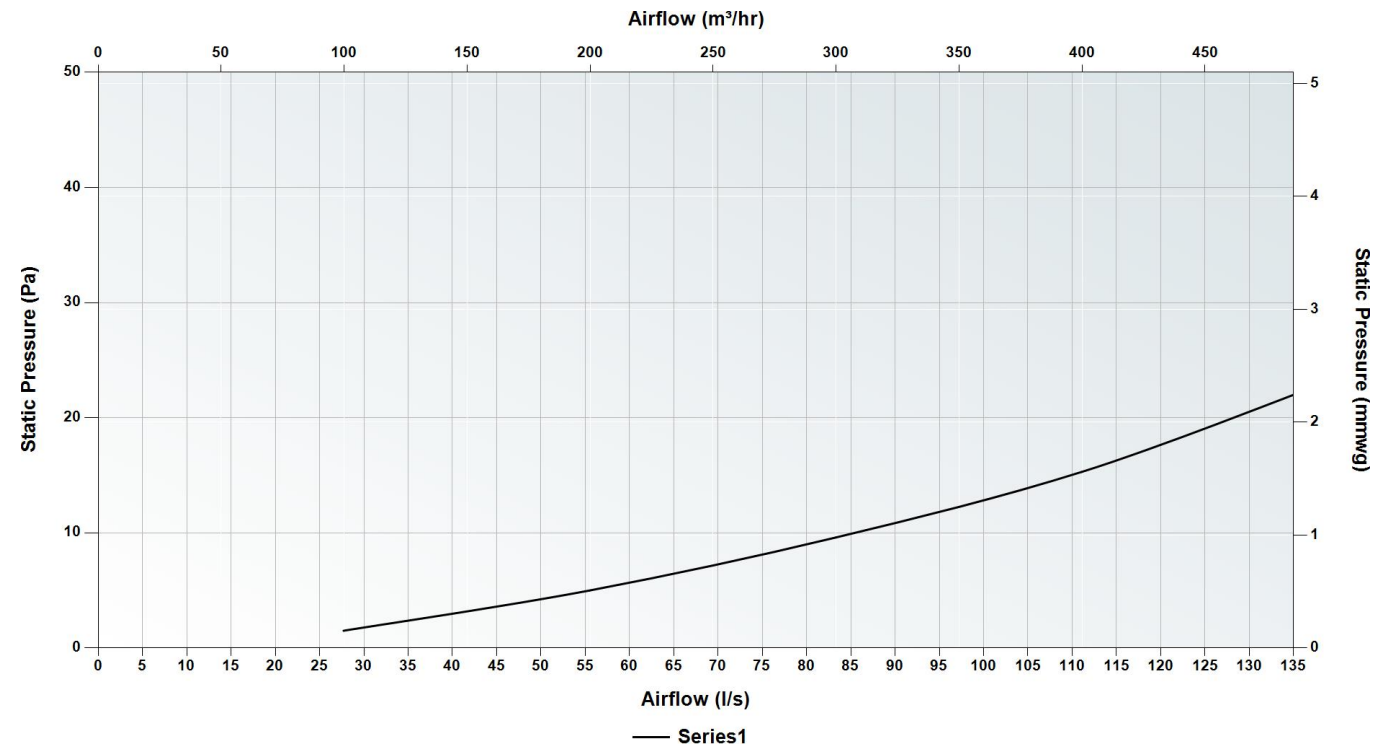
Height	232 mm
Width	350 mm
Length	758 mm
Spigot size	200 mm
Connection	Male to Male
Weight	6.5 kg
Material	Galvanised steel
Operating temperature range	-25°C - 60°C
Insulation	20 mm Basotect G+
Thermal Resistance	0.57 m ² K/W
EN 13501-1 classification (inner duct / outer material)	A1 / B-s1-d0



Dimensions



Pressure Curve



Sound Data

	Octave Band (Hz) Insertion Loss, dB							
	63	125	250	500	1000	2000	4000	8000
Attenuator, CSI, ø 200 mm, length 700 mm	8.3	9.2	18.2	19.6	18	17.4	25	22

Acoustic performance measured according to [EN ISO 7235](#)



Attenuator, ø 100 mm, length 600 mm, galvanised steel

Article number: CA100600

Description

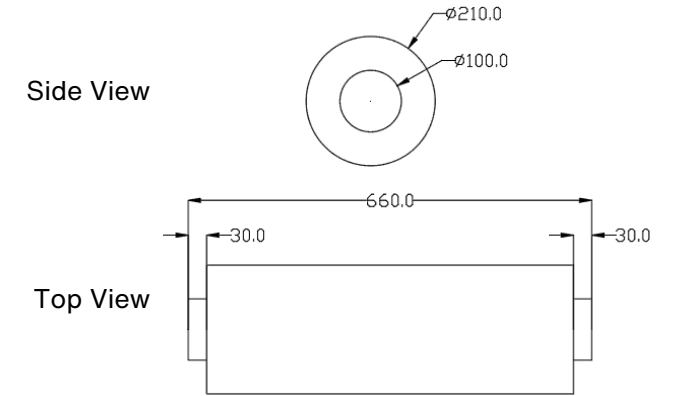
Rigid attenuator:
Zehnder circular rigid attenuator, internally insulated to provide excellent sound insulation.

Technical Specification

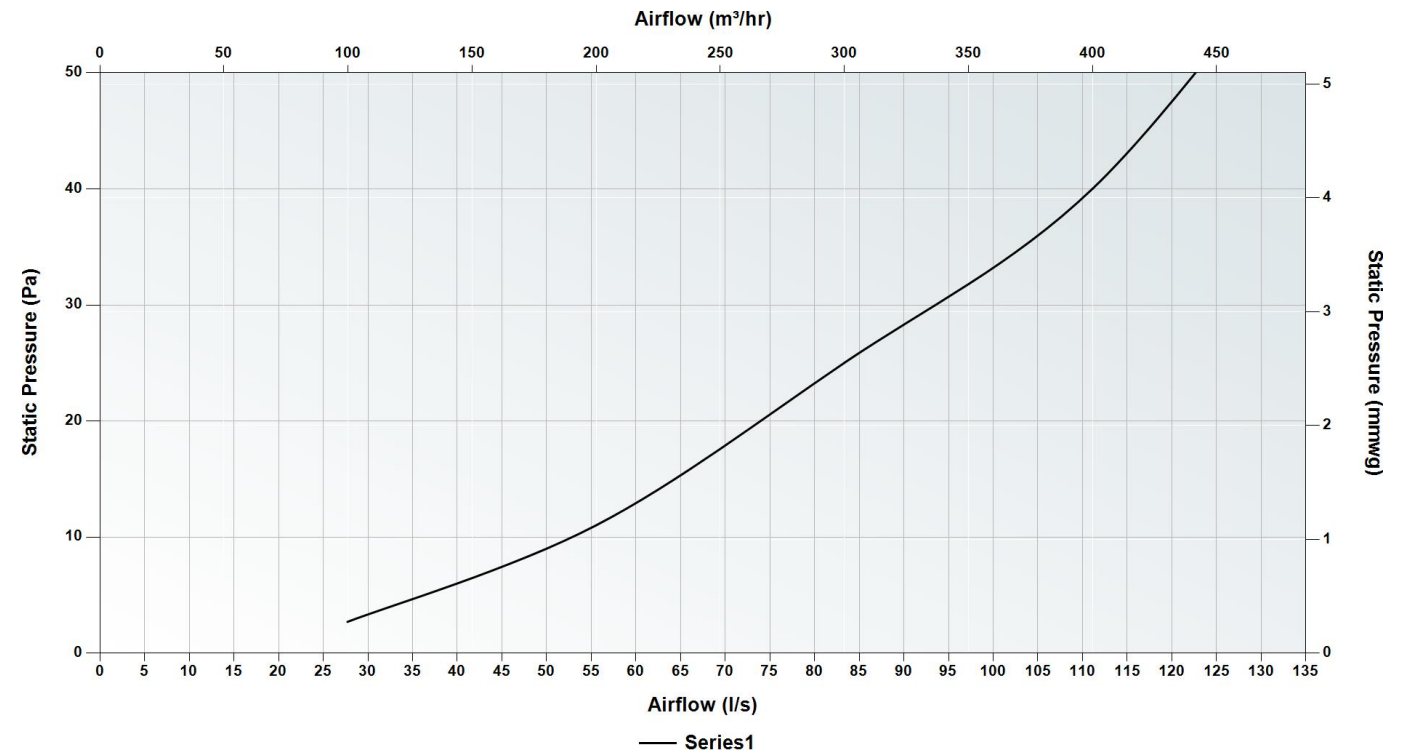
Outside diameter	210 mm
Inside diameter	100 mm
Length	600 mm
Connection	Male to Male
Weight	3 kg
Material	Galvanised steel
Operating temperature range	-50°C - 100°C
Insulation	50 mm glass wool



Dimensions



Pressure Curve



Sound Data

	Octave Band (Hz) Insertion Loss, dB							
	63	125	250	500	1000	2000	4000	8000
Attenuator, ø 100 mm, length 600 mm, galvanised steel	1	6	13	19	29	45	28	23

Acoustic performance measured according to [EN ISO 7235](#)

Attenuator, \varnothing 125 mm, length 600 mm, galvanised steel

Article number: CA125600

Description

Rigid attenuator:

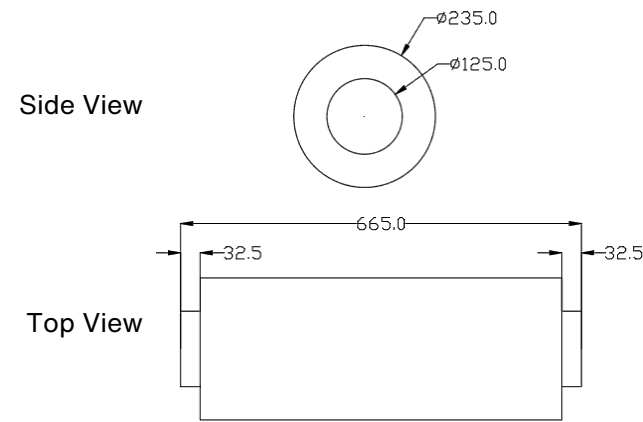
Zehnder circular rigid attenuator, internally insulated to provide excellent sound insulation.

Technical Specification

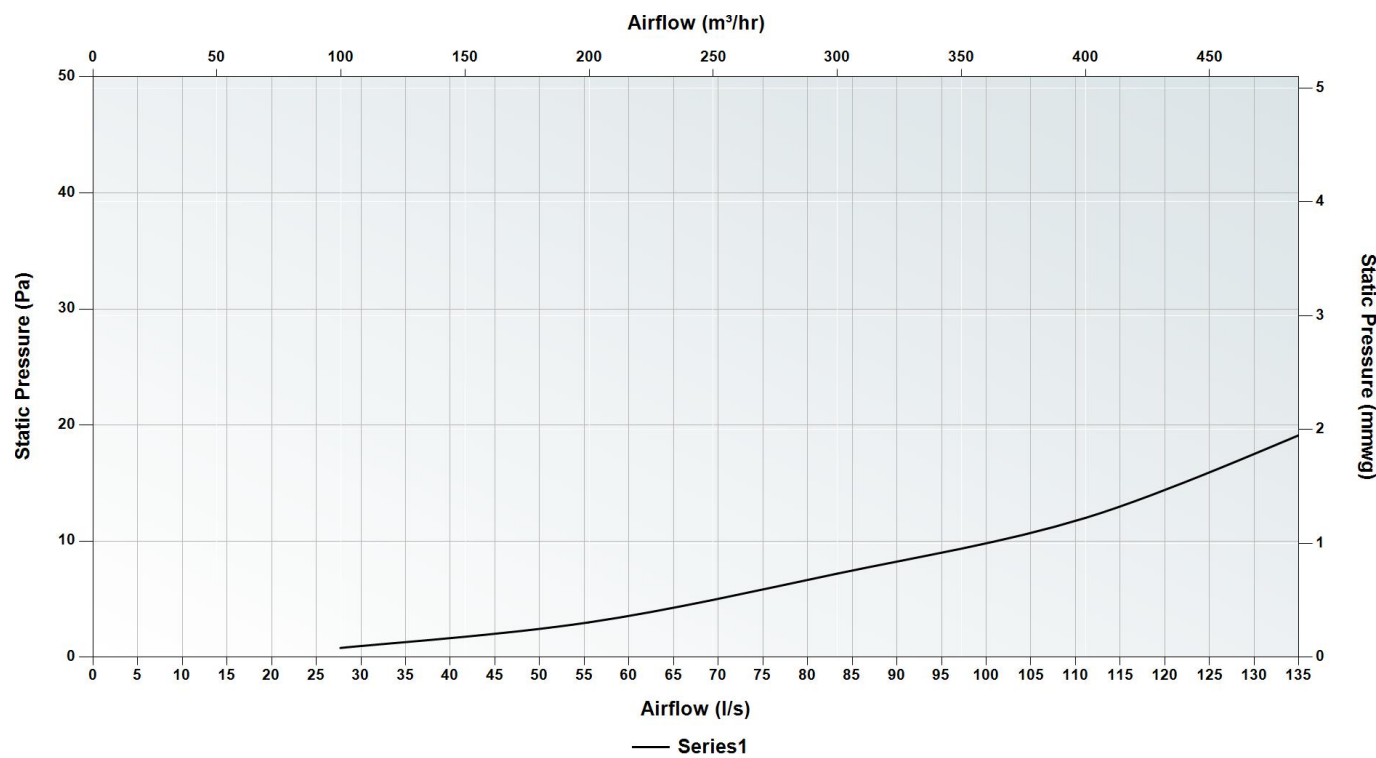
Outside diameter	235 mm
Inside diameter	125 mm
Length	600 mm
Connection	Male to Male
Weight	4 kg
Material	Galvanised steel
Operating temperature range	-50°C - 100°C
Insulation	50 mm glass wool



Dimensions



Pressure Curve



Sound Data

	Octave Band (Hz) Insertion Loss, dB							
	63	125	250	500	1000	2000	4000	8000
Attenuator, \varnothing 125 mm, length 600 mm, galvanised steel	1	6	10	15	26	40	24	22

Acoustic performance measured according to [EN ISO 7235](#)

Attenuator, \varnothing 150 mm, length 600 mm, galvanised steel

Article number: CA150600

Description

Rigid attenuator:

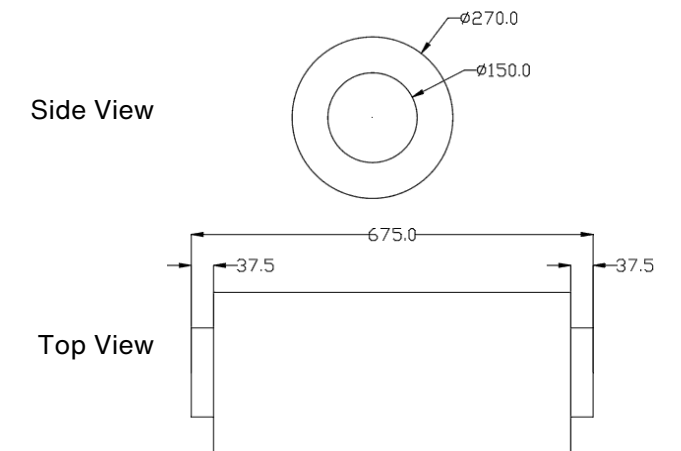
Zehnder circular rigid attenuator, internally insulated to provide excellent sound insulation.

Technical Specification

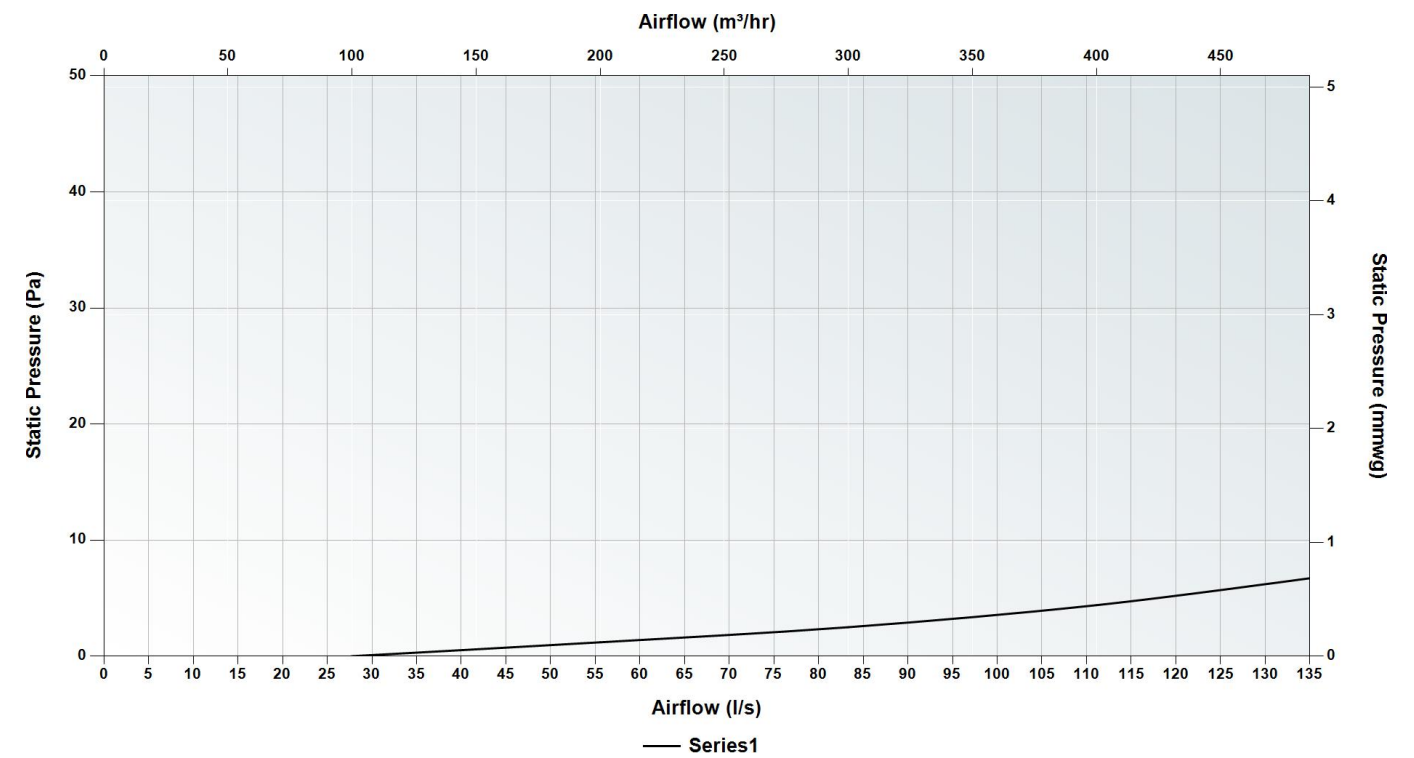
Outside diameter	270 mm
Inside diameter	150 mm
Length	600 mm
Connection	Male to Male
Weight	6 kg
Material	Galvanised steel
Operating temperature range	-50°C - 100°C
Insulation	50 mm glass wool



Dimensions



Pressure Curve



Sound Data

	Octave Band (Hz) Insertion Loss, dB							
	63	125	250	500	1000	2000	4000	8000
Attenuator, \varnothing 150 mm, length 600 mm, galvanised steel	1	4	9	15	25	29	15	13

Acoustic performance measured according to [EN ISO 7235](#)

Attenuator, \varnothing 160 mm, length 600 mm, galvanised steel

Article number: CA160600

Description

Rigid attenuator:

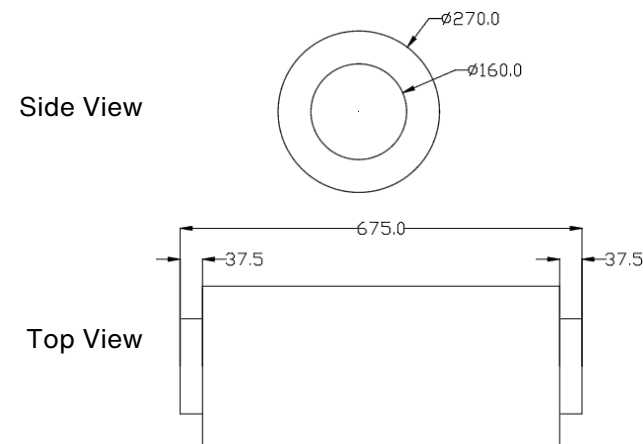
Zehnder circular rigid attenuator, internally insulated to provide excellent sound insulation.

Technical Specification

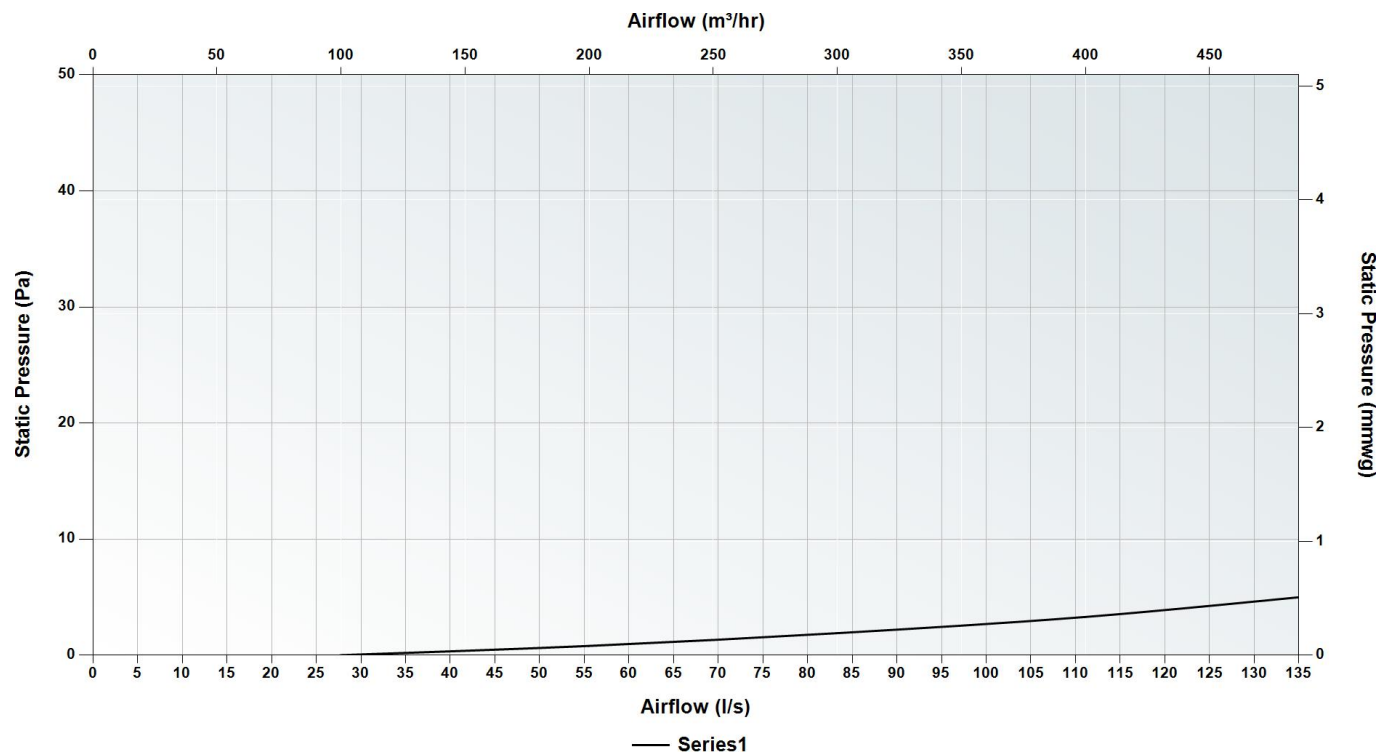
Outside diameter	270 mm
Inside diameter	160 mm
Length	600 mm
Connection	Male to Male
Weight	6 kg
Material	Galvanised steel
Operating temperature range	-50°C - 100°C
Insulation	50 mm glass wool



Dimensions



Pressure Curve



Sound Data

	Octave Band (Hz) Insertion Loss, dB							
	63	125	250	500	1000	2000	4000	8000
Attenuator, \varnothing 160 mm, length 600 mm, galvanised steel	1	5	8	13	24	29	14	15

Acoustic performance measured according to [EN ISO 7235](#)

Attenuator, \varnothing 200 mm, length 600 mm, galvanised steel

Article number: CA200600

Description

Rigid attenuator:

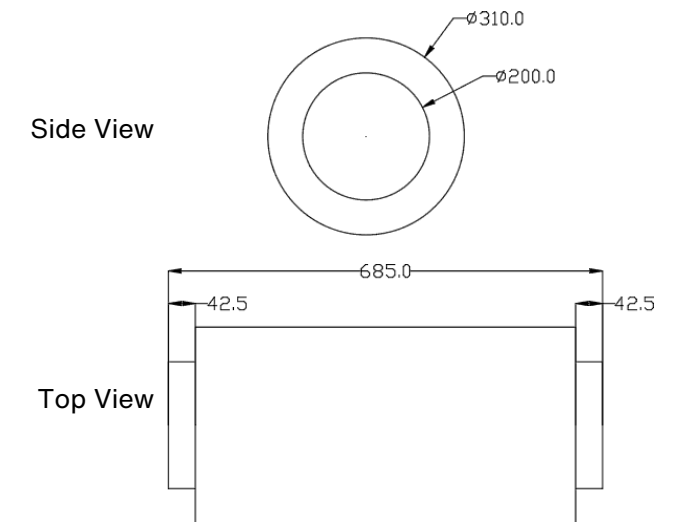
Zehnder circular rigid attenuator, internally insulated to provide excellent sound insulation.

Technical Specification

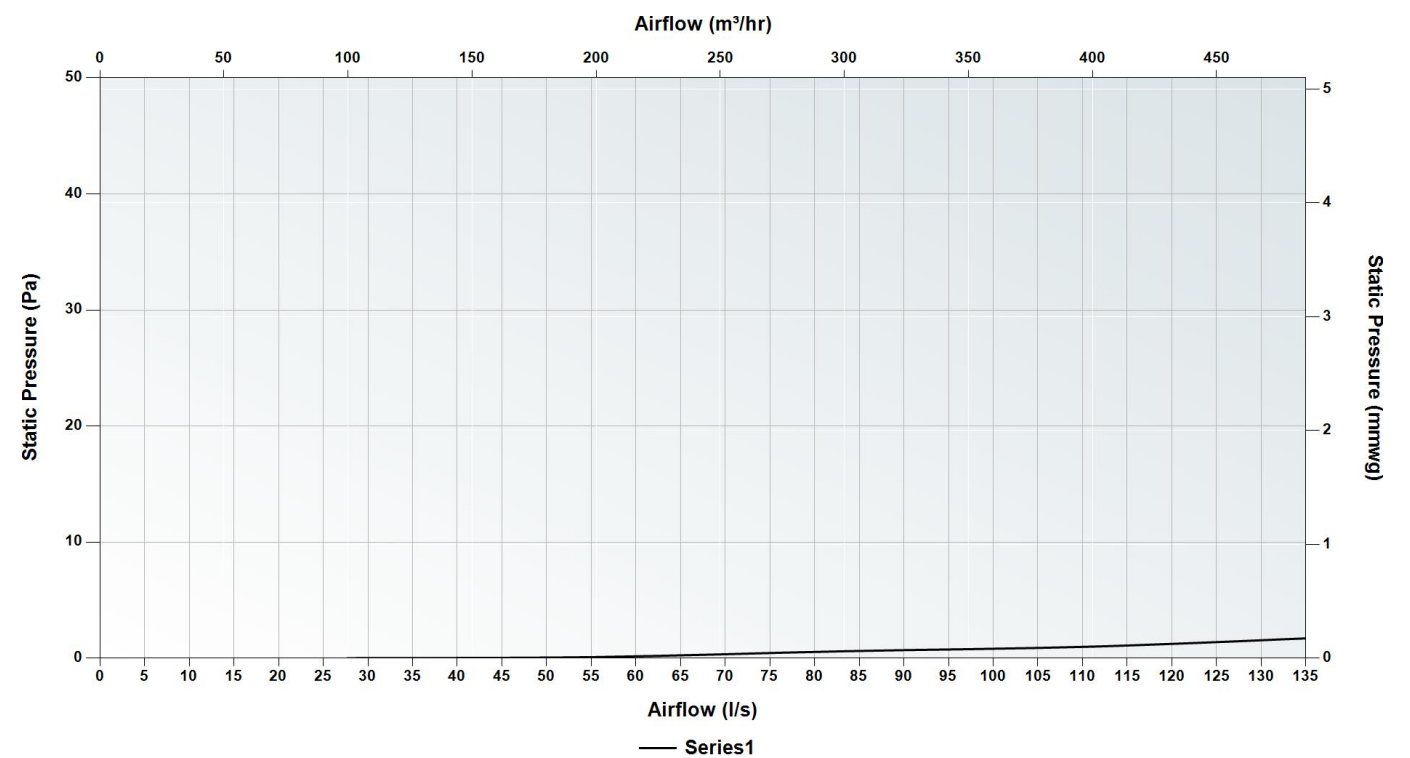
Outside diameter	310 mm
Inside diameter	200 mm
Length	600 mm
Connection	Male to Male
Weight	7 kg
Material	Galvanised steel
Operating temperature range	-50°C - 100°C
Insulation	50 mm glass wool



Dimensions



Pressure Curve



Sound Data

	Octave Band (Hz) Insertion Loss, dB							
	63	125	250	500	1000	2000	4000	8000
Attenuator, \varnothing 200 mm, length 600 mm, galvanised steel	1	3	6	11	25	20	11	12

Acoustic performance measured according to [EN ISO 7235](#)

BIM/CAD Components

If you would like to download the BIM / CAD files for this or any other of our products then please visit our BIM library.

[TO VISIT OUR BIM/CAD LIBRARY](#)

[CLICK HERE](#)

Installation Instructions

If you would like to download the installation files for this or any other of our products then please visit our download page by clicking the link below.

[TO VISIT OUR DOWNLOAD PAGE](#)

[CLICK HERE](#)

Our Informational Videos

Eliminating noise from MVHR Systems

Top 5 considerations



Watch our video on how to eliminate noise from MVHR systems

[TO WATCH OUR VIDEO](#)

[CLICK HERE](#)