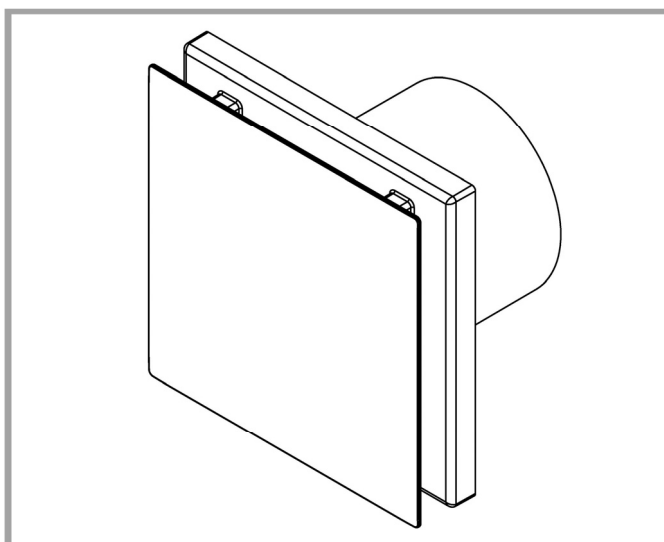


# Silent Fan

Installation and Wiring Instructions



**Stock Ref. N°**

44 66 58A - VASF100B

44 66 59A - VASF100T

220-240V~50Hz

***Vent-Axia***<sup>®</sup>

PLEASE READ INSTRUCTIONS IN CONJUNCTION WITH ILLUSTRATIONS.  
PLEASE SAVE THESE INSTRUCTIONS.

IP44  
**CE**

## Installation and Wiring Instructions for the Silent Range of Extractor Fans.



### **IMPORTANT: READ THESE INSTRUCTIONS BEFORE COMMENCING THE INSTALLATION**

DO NOT install this product in areas where the following may be present or occur:

- Excessive oil or a grease laden atmosphere.
- Corrosive or flammable gases, liquids or vapours.
- Ambient temperatures higher than 40°C or less than –5°C.
- Possible obstructions which would hinder the access or removal of the Fan.

### **SAFETY AND GUIDANCE NOTES**

- A. All wiring to be in accordance with the current I.E.E. Regulations, or the appropriate standards of your country and **MUST** be installed by a suitably qualified person.
- B. The fan should be provided with a local isolator switch capable of disconnecting all poles, having a contact separation of at least 3mm.
- C. Ensure that the mains supply (Voltage, Frequency, and Phase) complies with the rating label.
- D. The fan should only be used in conjunction with the appropriate Vent-Axia products.
- E. The fan should only be used in conjunction with fixed wiring.
- F. When the fan is used to remove air from a room containing a fuel-burning appliance, ensure that the air replacement is adequate for both the fan and the fuel-burning appliance.
- G. The fan should not be used where it is liable to be subject to direct water spray for prolonged periods of time.
- H. **Where an excessive amount of moisture is present in the air, a condensation trap will need to be installed in the exhaust duct. Horizontal ducts should slope away from the fan unit. Ducts passing through an unheated roof void should be insulated.**
- I. This appliance is not intended for use by persons (including children) with reduced physical, sensory or mental capabilities, or lack of experience and knowledge, unless they have been given supervision or instruction concerning use of the appliance by a person responsible for their safety.
- J. Children should be supervised to ensure that they do not play with the appliance.
- K. Stationary appliances not fitted with means for disconnection from the supply mains having a contact separation in all poles that provide full disconnection under over voltage category III, the instructions state that means for disconnection must be incorporated in the fixed wiring in accordance with the wiring rules.

### **ACCESSORIES** (not supplied)

#### **WALL FITTING KIT**

A range of 100mm wall kits are available for installing into most walls using telescopic liners supplied.

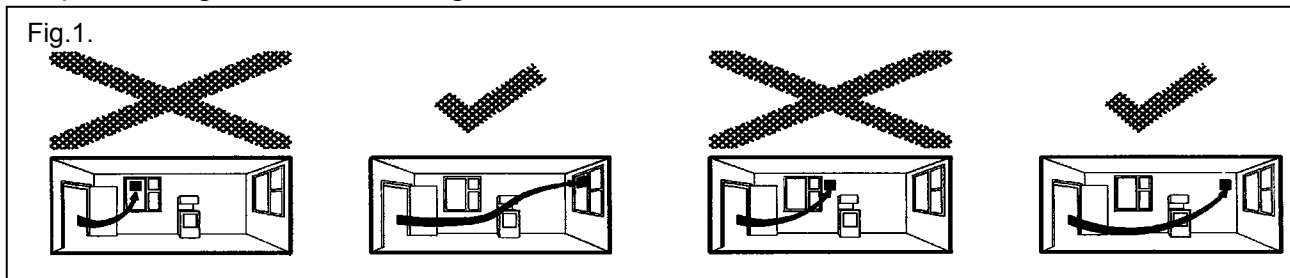
## WINDOW FITTING KIT

For use in single or sealed double glazing and most materials up to 40mm thick.

		Stock Reference	
		White	Brown
Wall Fitting Kit	100mm	254102	254100
Window Fitting Kit	100mm	442947	-

### A. INSTALLATION

**IMPORTANT:** The fan should only be used in conjunction with fixed wiring.  
For positioning of fan refer to Fig.1.



### PANEL/CEILING MOUNTING

1. Cut a 105mm diameter hole for the fan.
2. Loosen the screw at the bottom of the grille and unclip each bottom corner, then remove the grille. (Fig.4) Mark the screw centres through the holes in the fan back plate. Drill, plug and screw into position. (Refer to wiring and setup sections)
3. Replace the grille and tighten the retaining screw.
4. After installation, ensure impeller rotates freely and the shutters can open.

### WALL MOUNTING

1. For wall mounting cut a 115mm diameter hole through the wall and insert a wall sleeve. Slope the sleeve slightly downwards away from the fan. Cut to length and cement both ends into position flush with the wall faces.
2. Loosen the screw in the bottom of the grille and unclip each bottom corner, then remove the grille. (Fig.4) Mark the screw centres through the holes in the fan back plate. Drill, plug and screw into position. Fix exterior grille into position with the louvers positioned downwards. (Refer to wiring & setup sections)  
(Note:- The grille must comply with the standard requirements of your country to prevent access to the fans impeller. The wall kit used in this installation should provide a minimum ducting length of 60mm from the fans back plate to the inside of the external grille).
3. Replace the grille and tighten the retaining screw.
4. After installation, ensure impeller rotates freely and the shutters can open.

### WINDOW MOUNTING

See instructions provided with window fitting kit (Ref. 442947)

### B. WIRING.



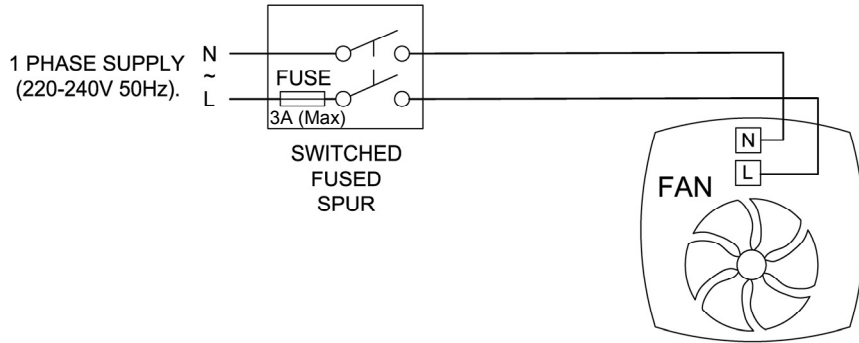
**WARNING: THE FAN AND ANCILLARY CONTROL EQUIPMENT MUST BE ISOLATED FROM THE POWER SUPPLY DURING THE INSTALLATION / OR MAINTENANCE.**

### IMPORTANT

- The fan should only be used in conjunction with fixed wiring.
- The cross - sectional area of supply cord used should be ranged from 1 -1.5mm<sup>2</sup>.
- Cable entry can only be made from the rear of the fan. (Fig.4)
- The extraction fan is suitable for connection to 220-240V 50Hz supply.
- The fan is a class II double insulated product and **MUST NOT** be earthed.

1. Select and follow the appropriate wiring diagram. (Fig. 2 or 3)
2. Check all connections have been made correctly and ensure all terminal connections are securely fastened.
3. Ensure the impeller rotates and is free from obstructions.

Fig.2 – Basic VASF100B



**Note: LS is not used on the basic model**

Fig.3 – Timer VASF100T

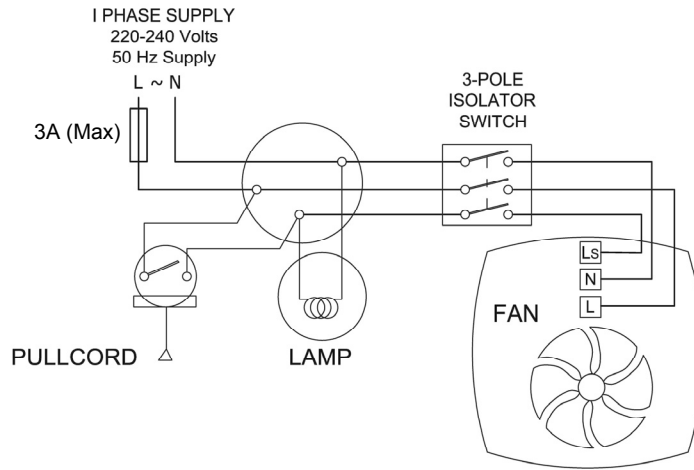
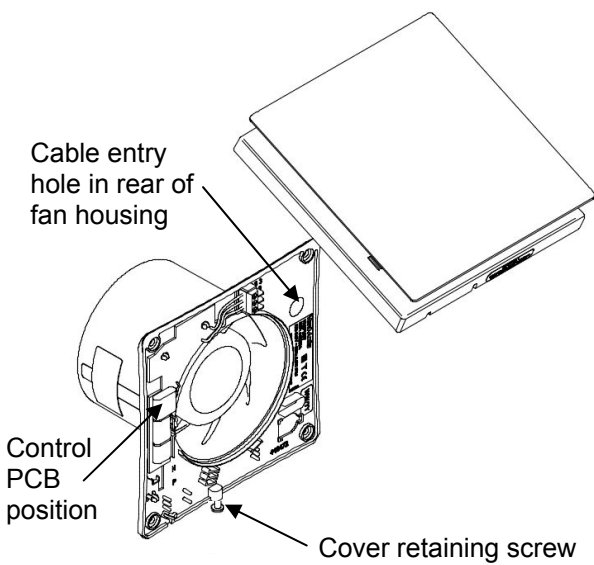
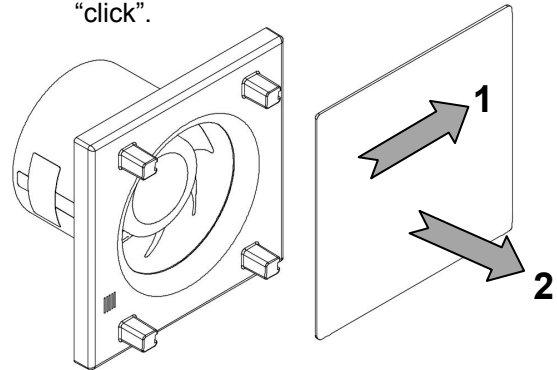


Fig.4 – Grille removal for cable entry and control PCB access.



To remove the outer cover slide the cover to the right to release the 4 clips (1), then out towards you (2). To refit the cover, line up the 4 clips on the rear of the cover and slide to the left until you hear a "click".



## C. SETUP



**WARNING: THE FAN AND ANCILLARY CONTROL EQUIPMENT MUST BE ISOLATED FROM THE POWER SUPPLY DURING THE INSTALLATION / OR MAINTENANCE.**

### **SPEED SETTING:**

The fans are factory set to low-speed, but have two speed settings for different installation requirements; you can select either high or low speed as follows:

#### **SILENT FAN – VASF100B**

- 1) Low speed: Connect N and L (Fig.2). Jumper J1 Factory fitted at low speed (Fig.5)
- 2) High speed: Connect N and L (Fig.2). Jumper J1 must be moved to select high speed (Fig.5)

#### **SILENT FAN – VASF100T (WITH TIMER)**

- 1) Low speed: Connect N, L & LS (Fig.3). Jumper J1 Factory fitted at low speed (Fig.5)
- 2) High speed: Connect N, L & LS (Fig.3). Jumper J1 must be moved to select high speed (Fig.5)

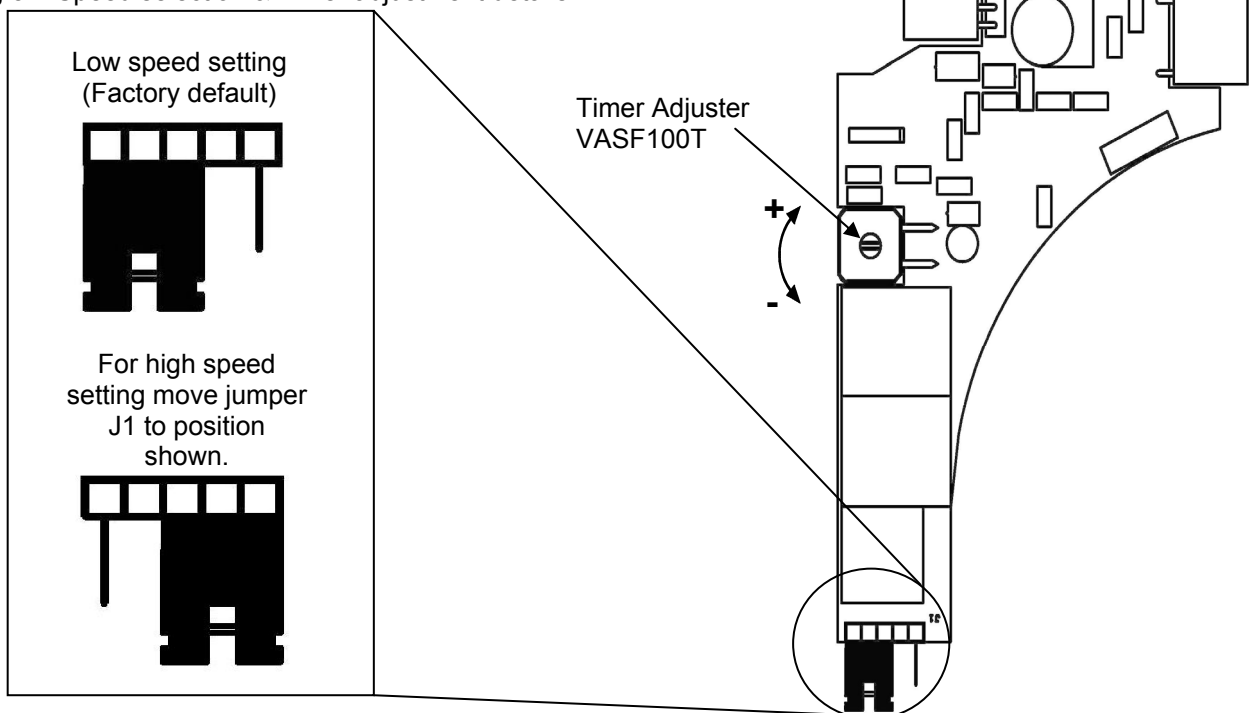
When switched 'ON', the fan will operate at the selected speed and will continue to run for a pre-set time after the LS switch is turned 'OFF'.

#### **TIMER ADJUSTMENT (VASF100T ONLY)**

*BEFORE ADJUSTING THE TIMER, SWITCH OFF THE MAINS SUPPLY. TIMER SHOULD ONLY BE ADJUSTED BEFORE OR DURING INSTALLATION.*

1. Remove the fan grille. The timer is factory set at 15 minutes approx. The overrun time period can be adjusted from 5-30 minutes by altering the adjuster on the control PCB with a small flat bladed screwdriver. Fig.5
2. To REDUCE the operating time, turn the adjuster Fig.5. ANTI-CLOCKWISE.
3. To INCREASE the operating time, turn the adjuster Fig.5. CLOCKWISE.
4. Replace the fan grille.

Fig.5 – Speed selection & Timer adjustment details.



**D. SERVICING AND MAINTENANCE.**



**WARNING: THE FAN AND ANCILLARY CONTROL EQUIPMENT MUST BE ISOLATED FROM THE POWER SUPPLY DURING MAINTENANCE.**

1. At intervals appropriate to the installation, the fan should be inspected and cleaned to ensure there is no build up of dirt or other deposits.
2. Wipe the inlets and front face with a damp cloth until clean.

**The *Vent-Axia* Guarantee**

Applicable only to products installed and used in the United Kingdom. For details of guarantee outside the United Kingdom contact your local supplier.

Vent-Axia guarantees its products for two years from date of purchase against faulty material or workmanship. In the event of any part being found to be defective, the product will be repaired, or at the Company's option replaced, without charge, provided that the product:-

- Has been installed and used in accordance with the instructions given with each unit.
- Has not been connected to an unsuitable electricity supply. (The correct electricity supply voltage is shown on the product rating label attached to the unit).
- Has not been subjected to misuse, neglect or damage.
- Has not been modified or repaired by any person not authorised by the company.

**IF CLAIMING UNDER TERMS OF GUARANTEE**

Please return the complete product, carriage paid to your original supplier or nearest Vent-Axia Centre, by post or personal visit. Please ensure that it is adequately packed and accompanied by a letter clearly marked "Guarantee Claim" stating the nature of the fault and providing evidence of date and source of purchase.

The guarantee is offered to you as an extra benefit, and does not effect your legal rights

***Vent-Axia***

Head Office: Fleming Way, Crawley, West Sussex, RH10 9YX. Tel: 01293 526062 Fax: 01293 551188

**UK NATIONAL CALL CENTRE**, Newton Road, Crawley, West Sussex, RH10 9JA

SALES ENQUIRIES: Tel: 0344 8560590 Fax: 01293 565169

TECHNICAL SUPPORT: Tel: 0344 8560594 Fax: 01293 532814

As part of the policy of continuous product improvement Vent-Axia reserves the right to alter specifications without notice.