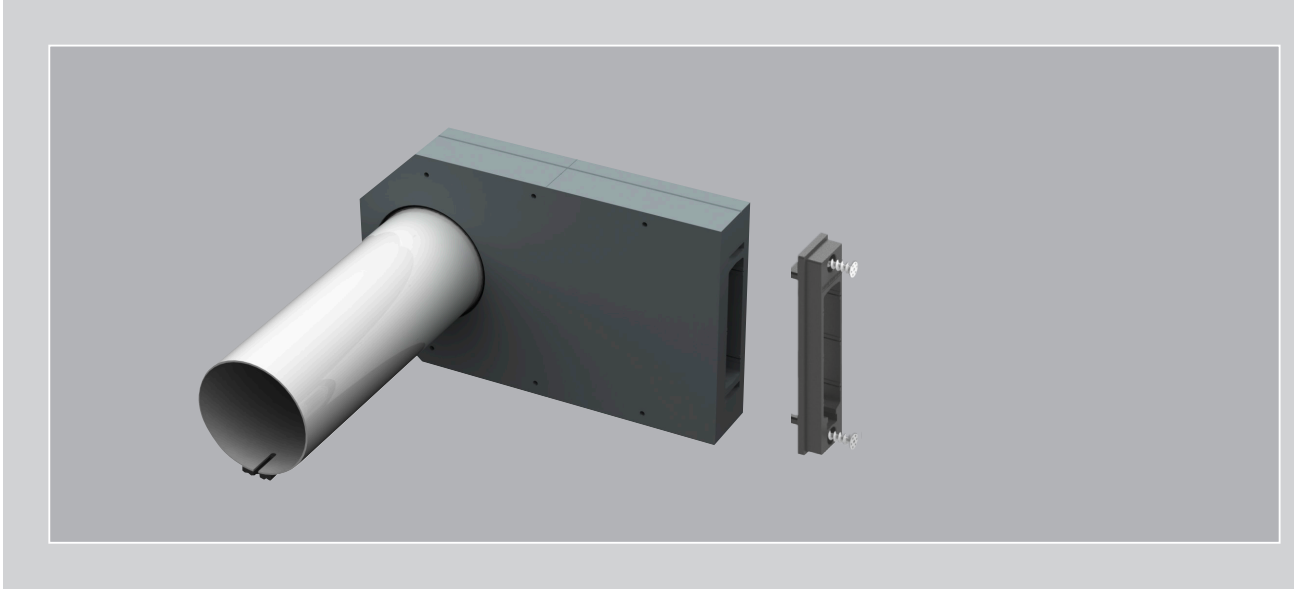


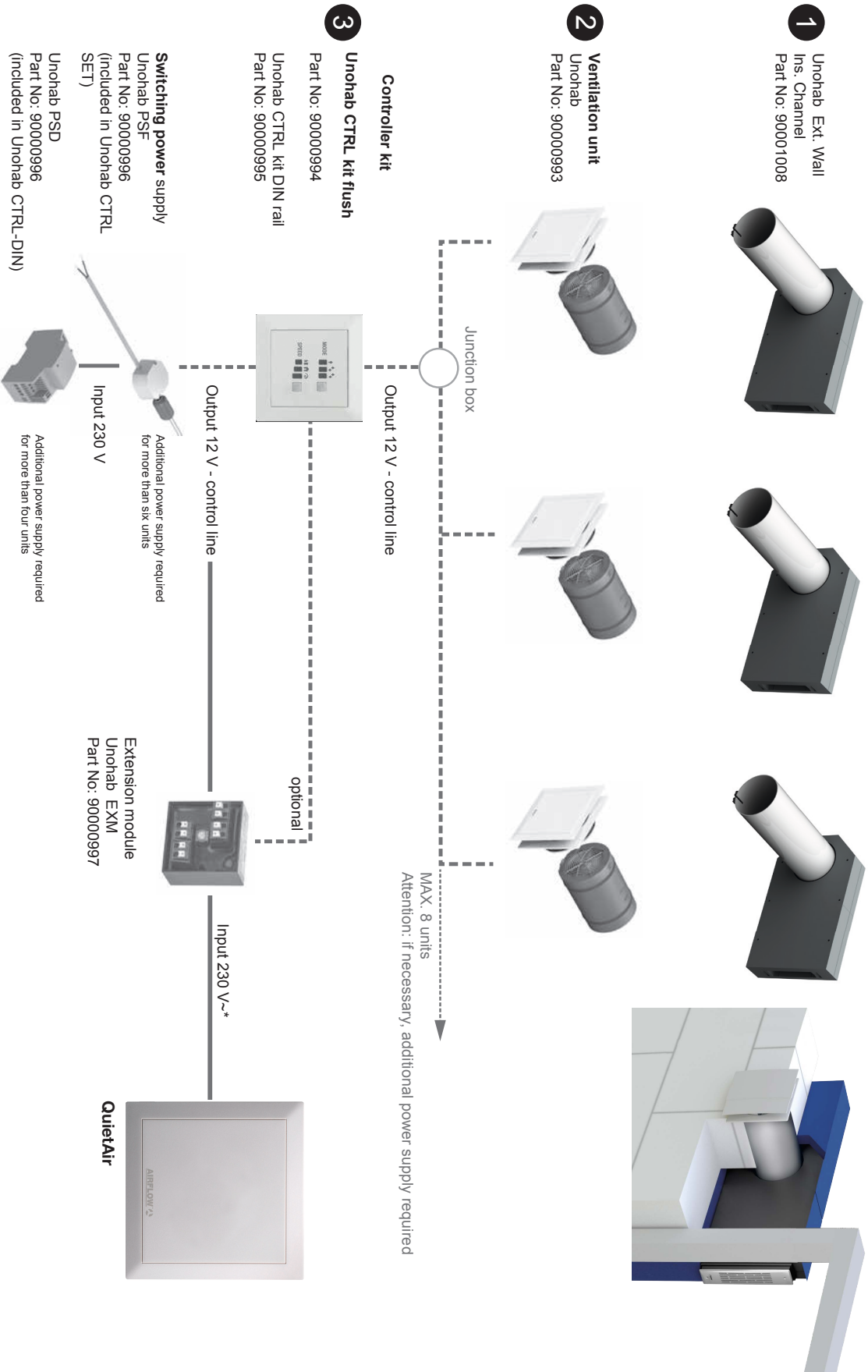
## INSTALLATION AND OPERATING INSTRUCTIONS



External wall insulation channel

**Unohab Ext. Wall Ins. Channel**

Unohab control system



## Table of contents

|   |                |
|---|----------------|
| <b>CHAPTER 1. SAFETY</b> .....                                  | <b>Page 4</b>  |
| 1.0 Important information.....                                  | Page 4         |
| 1.1 Warning instructions.....                                   | Page 4         |
| 1.2 Safety instructions.....                                    | Page 4         |
| 1.3 Area of application.....                                    | Page 4         |
| 1.4 Personnel qualification.....                                | Page 4         |
| <b>CHAPTER 2. GENERAL INSTRUCTIONS</b> .....                    | <b>Page 5</b>  |
| 2.0 Warranty claims – Exclusion of liability.....               | Page 5         |
| 2.1 Certificates – Guidelines.....                              | Page 5         |
| 2.2 Shipping.....   | Page 5         |
| 2.3 Receipt.....  | Page 5         |
| 2.4 Water proof feature of the stainless steel wall grille..... | Page 5         |
| 2.5 Limits of use stainless steel.....                          | Page 5         |
| <b>CHAPTER 3. SCOPE OF DELIVERY</b> .....                       | <b>Page 6</b>  |
| 3.0 Scope of delivery.....                                      | Page 6         |
| 3.1 Dimensions.....   | Page 6         |
| <b>CHAPTER 4. POSITIONING / ASSEMBLY</b> .....                  | <b>Page 7</b>  |
| 74.0 Installation overview soffit element.....                  | Page 7         |
| 4.1 Positioning (core drilling).....                            | Page 8         |
| 4.2 Installation kit assembly.....                              | Page 8         |
| Installation step INTERNAL WALL.....                            | Page 9         |
| Installation step EXTERNAL WALL.....                            | Page 9         |
| <b>CHAPTER 5. NOTE CONDENSATE DRAINAGE</b> .....                | <b>Page 12</b> |
| 5.0 Condensate drainage.....                                    | Page 12        |

## CHAPTER 1

### SAFETY

#### 1.0 IMPORTANT INFORMATION

In order to ensure complete and effective operation and for your own safety, all of the following instructions should be read carefully and observed.

This document should be regarded as part of the product and as such should be kept accessible and durable to ensure the safe operation of the fan. All product-related safety regulations must be observed.

 DANGER

 WARNING

 CAUTION

#### 1.1 Warning instructions

**The accompanying symbols are safety-relevant prominent warning symbols. All safety regulations and/or symbols in this document must be absolutely adhered to, so that any risks of injury and dangerous situations are avoided!**

 DANGER

#### 1.2 Safety instructions

Special regulations apply for use, connection and operation; consultation is required in case of doubt. Further information can be found in the relevant standards and legal texts.

**With regard to all work on the fan, the generally applicable safety at work and accident prevention regulations must be observed! The following points must be observed:**

- **When creating the wall opening, protect the installation site/ building exterior against falling brickwork. Install protective cover!**
- **Remove objects from the immediate vicinity of the building exterior.**

#### 1.3 Area of application

##### – Intended use:

The wall installation units Unohab are intended for external building wall installation. The air outlet is in the window soffit through a stainless steel wall grille. A lockable plastic panel serves this purpose on the internal side of the wall with an integrated non-woven air filter class G3 and sound insulation. In order to ensure balanced ventilation, at least 2 units, which operate in modes with regard to operating mode (supply air/extract air), are required for one residential unit. Depending on the overall ventilation requirement of the residential unit, more than 2 units are normally installed and the individual volume flows are automatically adjusted by means of the central control unit. The standard equipment allows installation and use in frost-free rooms >+ 5 °C.

When operating under difficult conditions, such as high levels of humidity, long standstill periods, excessive loads and climatic, technical or electronic influences, seek approval from Airflow technical services, as the standard version is not suitable for this.

**Any use other than the intended use is prohibited!**

##### – Reasonably foreseeable misuse:

Ventilation units Unohab are not suitable for operation under difficult conditions, such as high levels of humidity, aggressive media, long standstill periods, heavy contamination, excessive loads due to climatic, technical or electronic influences. The same applies for the mobile use of fans (vehicles, aircraft, ships, etc.). Usage under these conditions is only possible with approval from Airflow, as the standard version is not suitable in this case.

##### – Improper, prohibited use:

Improper, prohibited use:

Any use other than the intended use is not permitted! The conveying of solid matter or solid matter content > 10µm in air and liquid is not permitted. Transport media, which affect the materials of the fan, and abrasive media are not permitted. Use in explosive atmospheres is not permitted!

 NOTE

 DANGER

#### 1.4 Personnel qualification

 DANGER!

**The electrical connection and start-up must only be carried out by qualified electricians.**

**Installation, servicing and maintenance of the fan must only be carried out by qualified electricians.**

Unohab individual room ventilation units can be used by children over the age of 8 as well as persons with physical, sensory, or mental disabilities or lack of experience and knowledge, if they are supervised or instructed with regard to the safe use of the unit and they understand the resulting risks. Children must not play with the unit. Cleaning or user maintenance must not be carried out by unsupervised children.

## CHAPTER 2

### GENERAL INSTRUCTIONS

#### 2.0 Warranty claims – exclusion of liability

All versions of this documentation must be observed, otherwise the warranty shall cease to apply. The same applies to liability claims against Airflow. The use of accessory parts, which are not recommended or offered by Airflow, is not permitted. Any possible damages are not covered by the warranty. Changes and modifications to the unit are not permitted and lead to a loss of conformity, and any warranty and liability shall be excluded in this case.

#### 2.1 Certificates - guidelines

If the product is installed correctly and used to its intended purpose, it conforms to all applicable EU guidelines at its date of manufacture.

#### 2.2 Shipping

The installation kit fascia is packed ex works in such a way that it is protected against normal transport strain. Carry out the shipping carefully. It is recommended to leave the fan in the original packaging.

#### 2.3 Receipt

The shipment (Unohab Ext. Wall Ins. Channel, part number: 90001008) must be checked for damage and correctness immediately upon delivery. If there is any damage, promptly report the damage with the assistance of the transport company. If complaints are not made within the agreed period, any claims could be lost.

#### 2.4 Water proof feature of the stainless steel wall grille



ATTENTION

**The stainless steel wall grille is a visible part and it does not serve as a safeguard against water. The soffit element through the external fascia must be made water-proof by the customer through appropriate measures.**

#### 2.5 Limits of use stainless steel



ATTENTION

**Stainless steel 1.4301 (304) may discolour due to environmental influences!  
Regular cleaning reduces the risk of discolouration.**

When using in cities and Industrial areas with severe air pollution, the stainless steel is at risk of corrosion to a certain extent. This stainless steel is not suitable in environments with severe air pollution and near the coast with a high concentration of salt in the air, without an additional protective coating (acrylic clearcoat).

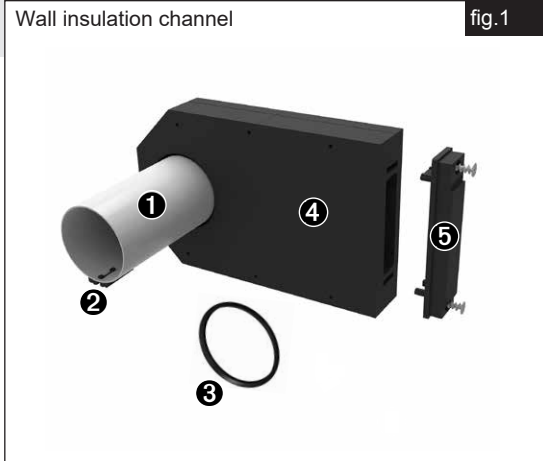
### CHAPTER 3

#### SCOPE OF DELIVERY

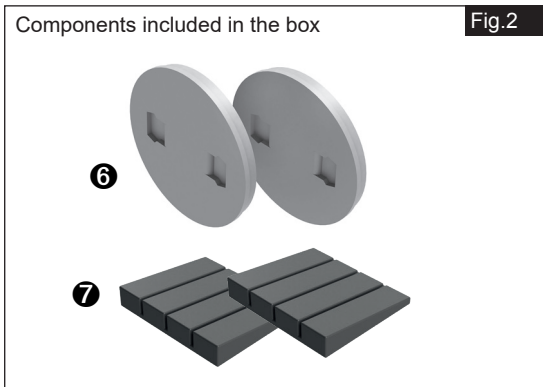
#### 3.0 Scope of delivery

Leave the installation kit facia in its packaging until just before the respective installation step or installation in order to prevent any possible damage and contamination.

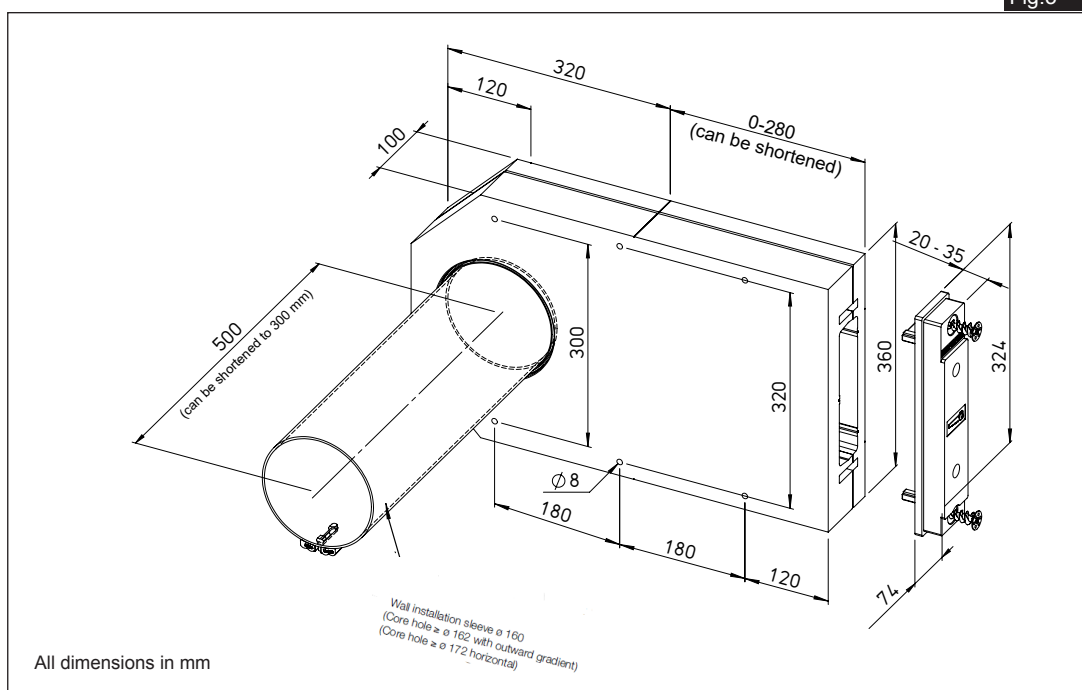
Unohab Ext. wall insulation channel Part No: 90001008



- 1 Wall installation sleeve**
  - Length 500 mm
- 2 Condensate wedge**
  - for gradient to condensate drainage
  - with labelling "centre bottom"
- 3 Wall installation sleeve seal**
- 4 EPP Soffit channel**
  - with 4x stainless steel screws (Ø 5 x 100 mm)
  - with 4x stainless steel washer
- 5 Plaster frame**
  - with labelling "TOP"
  - with 2x insulation fixing
- 6 Protective cover**
  - 2 pcs
  - to prevent contamination of the wall installation sleeve
- 7 EPP fixing wedge**
  - 6 pcs (as a block)
  - for fixing the wall installation sleeve in the core hole



#### 3.1 Dimensions



### CHAPTER 4

### 4.0 Installation overview soffit element

#### POSITIONING/ ASSEMBLY

#### NOTE

#### Installation requirements soffit element:

1. Wall thickness of uncovered wall: min. 240 mm to max. 480 mm
2. Insulation panel thickness: min. 100 mm
3. Horizontal distance from core drilling hole to soffit (ready-mix plaster): min. 220 mm to max. 500 mm (see Fig. 6)
4. Vertical distance from core drilling hole to window lintel: min. 300 mm
5. Note the installation instructions for shutters and blinds in Figure 4!
6. Can be used for fire protection class B1 (flame resistant)

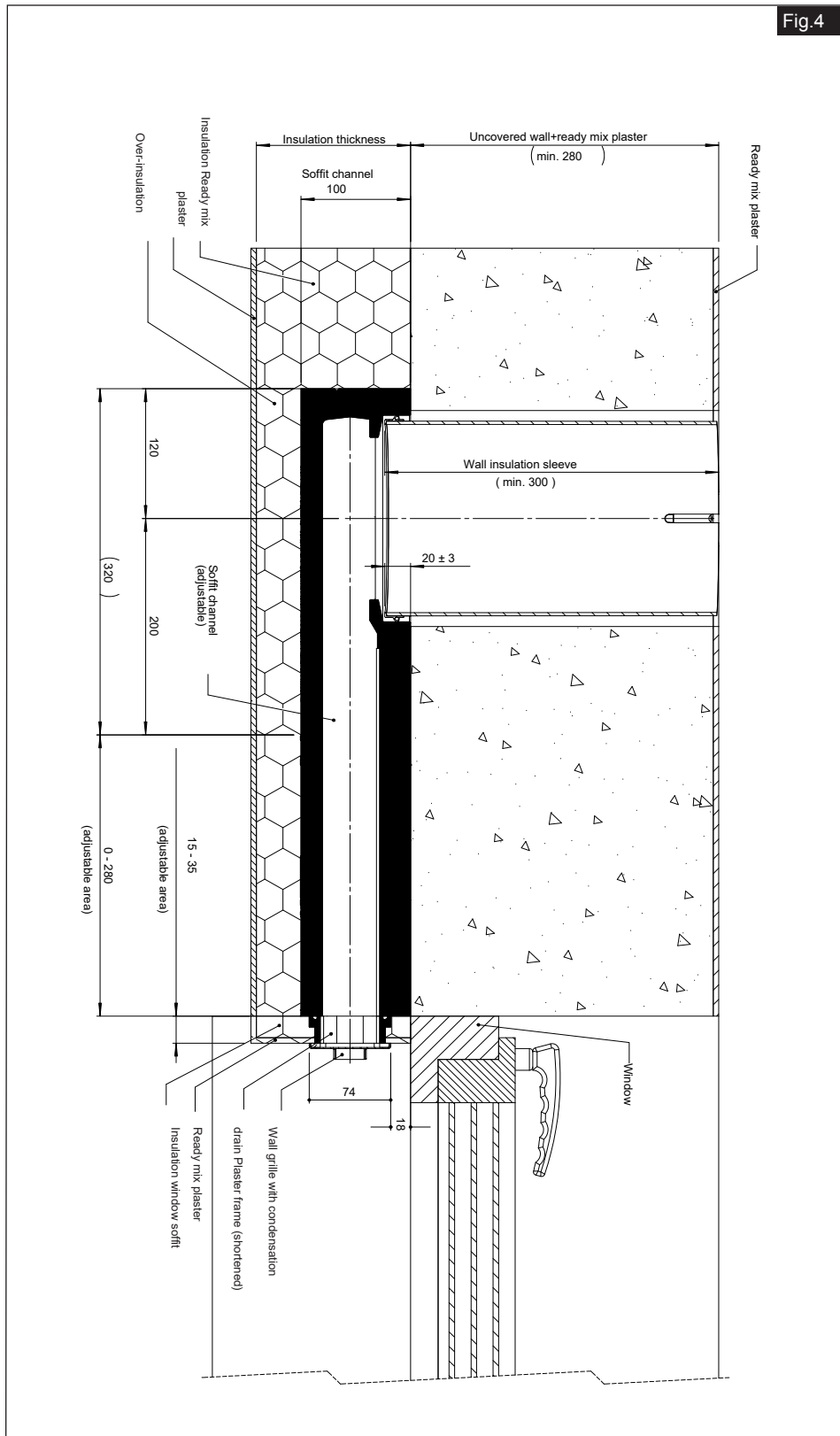


Fig.4

#### ① Length of wall installation sleeve

Max.: 500 mm  
Min.: 300 mm

The length of the wall installation sleeve comprises the thickness of the uncovered wall with internal ready-mix plaster, the height of the feet (③) of the soffit channel and the immersion depth (②) in the soffit channel (see Fig. 4 & 5).

**NOTE:** The length of the wall installation sleeve should be adjusted so that there are no collisions in the area of the shutter rail.

#### ② Immersion depth of the wall installation sleeve in the soffit element

Length: 20 mm

**NOTE:** The wall installation sleeve must not be cut off flush with the wall on the outside!

#### ③ Soffit channel feet

Max.: 40 mm  
Min.: 0 mm

The soffit channel feet determine how far it sits from the uncovered wall. The height of the feet and the height of the soffit channel of 100 mm corresponds to the min. insulation thickness. If necessary, the feet can be underpinned.

#### ④ Distance from core drilling hole (centre) to the end of the soffit channel

Max.: 480 mm  
Min.: 200 mm

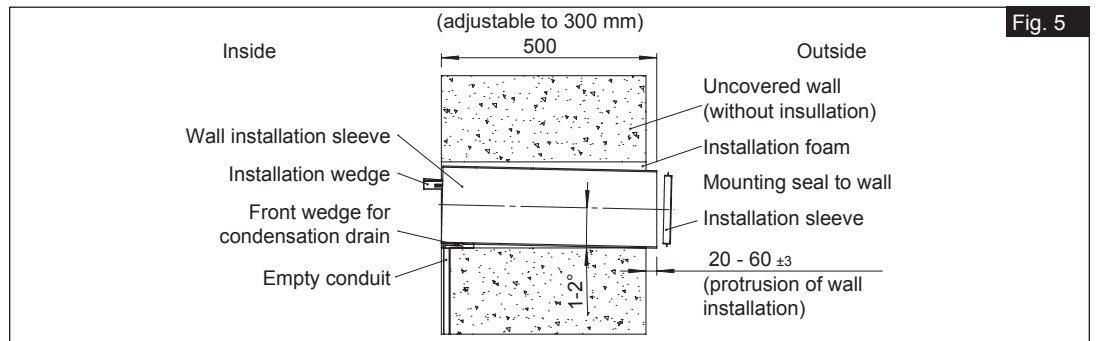
The adjustable length of the channel must be selected depending on the distance between the core drilling hole (centre) to the ready-mix plaster in the window soffit. This distance minus the height of the shortened plaster frame (⑤) provides the length of the shortenable area ④.

#### ⑤ Height of the plaster frame

Max.: 35 mm  
Min.: 15 mm

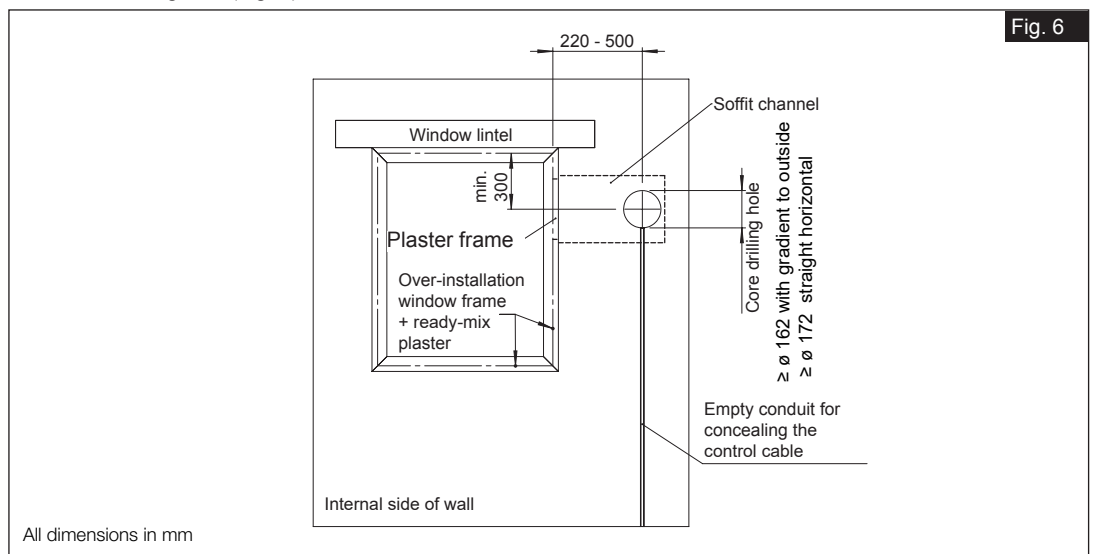
The height of the plaster frame bridges the distance between the soffit channel and the wall grille. The height must be selected depending on the thickness of the window soffit insulation and the ready-mix plaster. The plaster frame allows for tolerance compensation.

A minimum height of 20 mm is recommended for the plaster frame.



### 4.1 Positioning (core drilling)

The following distances to the wall and window aperture must be taken into account for positioning the soffit channel or the core drilling hole (Fig. 6).



### 4.2 Installation kit assembly

#### Installation preparations:

- Core drilling **Ø 162 mm** (with gradient to outside) is required for the unit installation or **Ø 172 mm** (horizontal with condensate wedge)
- Include the empty conduit for the electr. control cable in the installation wall.
- **NOTE:** The empty conduit must be placed below the unit installation position!

1. Determine the position of the core drilling hole for the soffit element (see Fig. 6).
2. Execute core drilling.
3. Provide empty conduit for concealed routing of the control cable (see Fig. 6).
4. Determine dimensions for wall installation sleeve and soffit element (see chap 4.0 Installation overview soffit element). Note interfering contours! The shutter rail or the like must pass over the wall grille, see Fig. 4.

NOTE

ATTENTION



### Installation step INTERNAL WALL:

5. Shorten wall installation sleeve.
6. Position wall installation sleeve with EPP front wedge flush to the internal wall in the core drill hole and align centrally with the empty conduit (Fig. 7).

NOTE

NOTE: Note the strength of the plaster or wall covering!

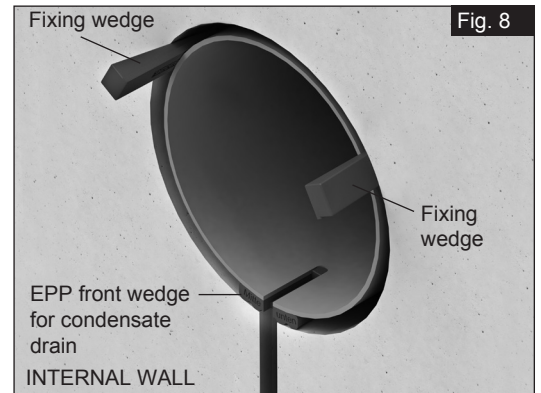
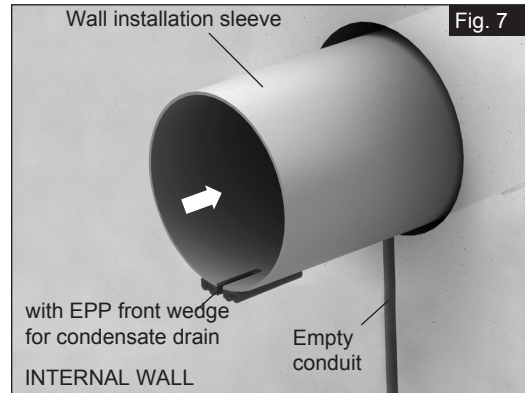
⚠ **The wall installation sleeve must not be trimmed on the internal side of the wall!**

7. Position wall installation sleeve "inside" and "outside" with provided fixing wedges (Fig. 8).

CAUTION

⚠ **The fixing wedges must not deform the wall installation sleeve when inserted!**

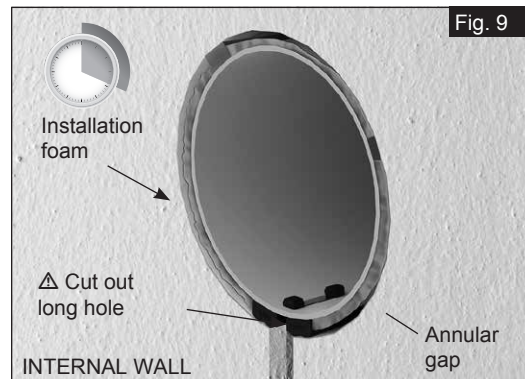
⚠ **A wall installation sleeve condensate drain gradient of 1°-2° outward must be maintained!**



8. Fill annular gap "inside" and "outside" with non-pressurised installation foam (Fig. 9/10).
9. After a sufficient drying time, remove the protruding fixing wedges and excess installation foam. If necessary, remove EPP material (lower front wedge) and any installation foam residue for cable entry (Fig. 9).

NOTE

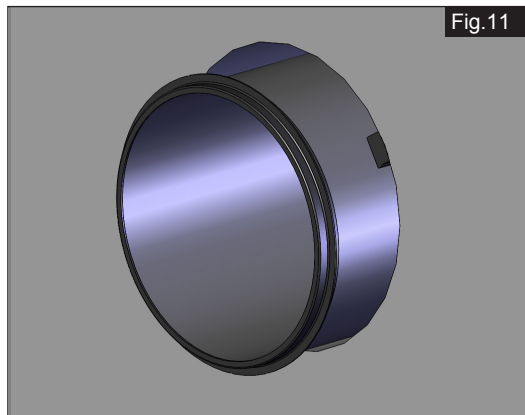
10. Create diffusion-tight seal on annular gap (Fig. 10).



11. Place protective cover on the wall installation sleeve.

### Installation step EXTERNAL WALL:

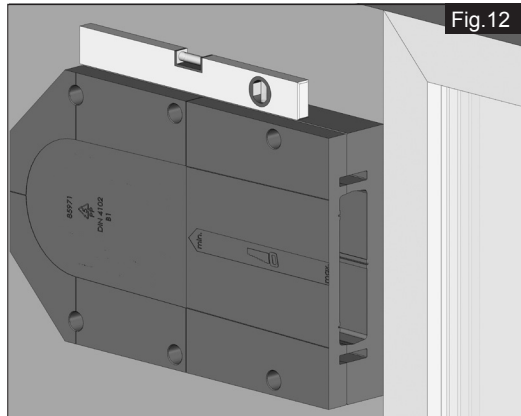
1. Remove protective cover.
2. Pull seal onto outside of wall installation sleeve (Fig. 11).
3. Shorten soffit channel to the desired length.



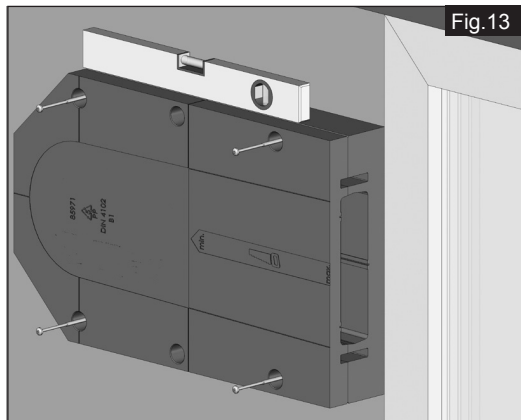
NOTE

Note the installation requirements for the soffit channel! (see chapter 4.0 Installation overview soffit element)

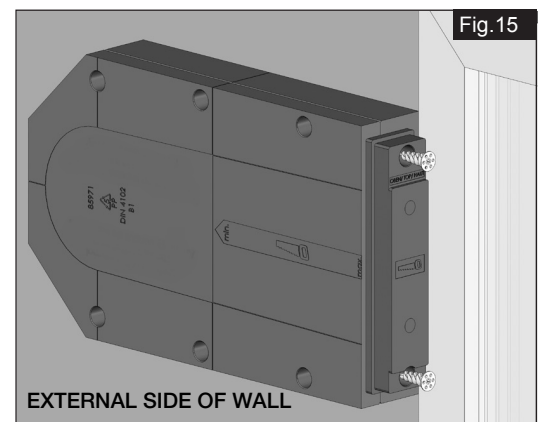
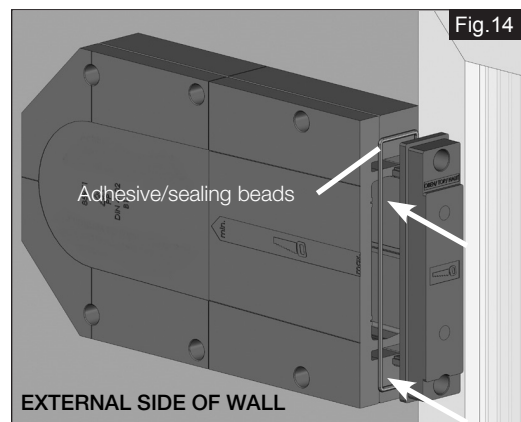
4. Connect soffit channel to the wall installation sleeve and align horizontally with a spirit level (Fig.12).
5. Score drilling points for the soffit channel and remove the soffit channel.



6. Drill the drilling holes and insert dowels (not included).
7. Connect soffit channel to the wall sleeve and screw in, Fig. 13 (washers and screws are included).

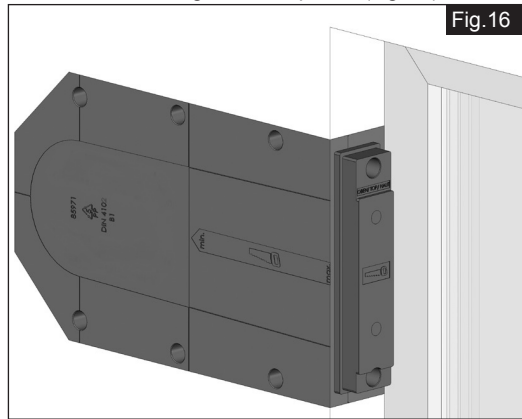


8. Apply thin glue/sealing beads to the plaster frame (Fig. 14).
9. Connect plaster frame to the soffit element and screw in with the enclosed insulation fixings (Fig. 14/15).



10. Back-foam the soffit element.

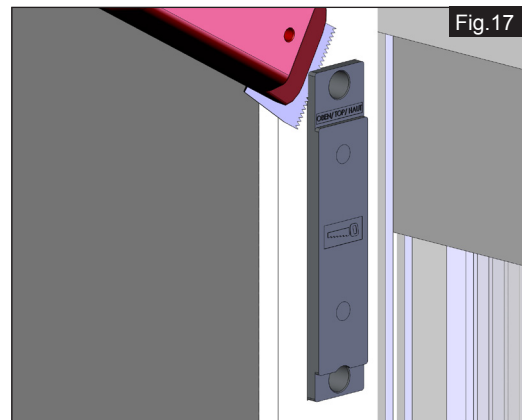
11. Attach surrounding insulation panels (Fig. 16).



12. Attach any plaster corner rails.

13. Plaster the soffit channel and plaster frame.

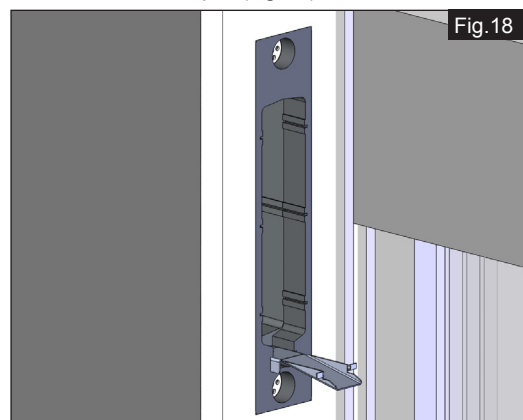
14. Remove any protruding plaster frame with a cutting tool (Fig. 17).



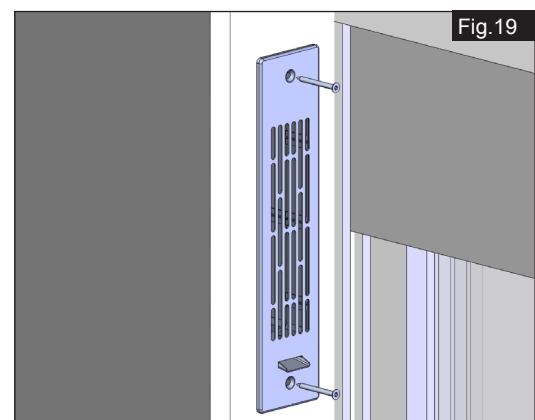
**NOTE**

Note: the following two steps (15 and 16) are part of the 80001042 instruction manual. For more details, please refer to it.

15. Insert condensate pan (Fig. 18).



16. Mount wall grille (Fig. 19). The screws are included.



**All of the following installation steps can be found in the Installation and Operating Instructions Unohab (Print number: 80000777)**

---

**CHAPTER 5****NOTE  
CONDENSATE  
DRAINAGE****5.0 Condensate drainage**

During heating periods, condensation can form in the heat accumulator due to the process of heat recovery. The condensation water must be able to drain from the unit. A condensate drain gradient of 1-2° is ensured during installation by the EPP front wedge which is pre-mounted to the wall installation sleeve.

The protrusion of the condensate drain in the lower EPP half shell allows free condensate drainage in the soffit channel, from which the condensate is discharged to the outside via the condensate pan.







Call: 01494 525252

Visit: [airflow.com](http://airflow.com)



**Airflow Developments Limited**  
Aidelle House, Lancaster Road,  
Cressex Business Park,  
High Wycombe, Buckinghamshire,  
United Kingdom, HP12 3QP

E-mail: [info@airflow.com](mailto:info@airflow.com)  
Telephone: +44 (0) 1494 525252

[airflow.com](http://airflow.com)

© Airflow Developments Limited. Airflow Developments Limited reserve the right, in the interests of continuous development, to alter specifications without prior notice. All orders are accepted subject to our conditions of sale which are available on request

80000782 - Issue 3 01/21

