

Introducing the new
Titon Ultimate™ dMEV



The Ultimate choice

Would you compromise the air you breathe?

Poor indoor air quality caused by a build-up of indoor air pollutants can lead to an impact on the health of a building and its occupants.

Most common pollutants are biological such as mould spores, pollen and dander; other pollutants are VOCs, gases, Carbon Monoxide and building materials such as paint containing lead and formaldehyde and asbestos.

Homes have become more airtight in recent years which prevents air from 'changing' (existing air is allowed to escape from a room, new air comes in from outside).

Ventilation levels can be increased in a property by opening trickle vents in windows, clearing air bricks in the walls for background ventilation, installing fans in the bathroom and kitchen unless you have a central extraction unit installed; all which help combat the issue of inadequate ventilation.

Titon has developed a new high performing dMEV to help combat poor indoor air quality, which provides efficient effective ventilation within a home.

ultimate^{***}

It is the highest of the high, the best, and the unreachable position. Therefore, it is absolute; the ending; final.

*#Ventilation
#dMEV
#EasyInstall
#FastCommissioning
#Residential
#Bathrooms
#Kitchens
#UltimateChoice*

www.titon.com/ultimate



Introducing the New Titon Ultimate™ dMEV

Exceeds stringent
20 Pa*
back pressure
requirement



The ultimate choice in dMEV

Low profile with aesthetic circular design



*Unique high performance impeller
and guide vane design*



Titon Ultimate™ dMEV

- Low specific fan power down to 0.11 W/l/s
- 3 configurable speed options (Trickle, Boost and High Boost)
- Constant flow to guarantee ventilation performance
- 4 button and LED display to allow for simple control
- IPX4 rated (Ceiling mounted TP646 Kit required)
- Quick straightforward commissioning and set up
- Double insulated (requires no earth)
- High performance brushless DC motor
- The best performing dMEV fan in the market
- Designed and manufactured in accordance with EN60335-2-80 Low Voltage Directive and the EMC Directive (Electromagnetic Compatibility)
- Extremely low running costs
- Ultra quiet running, only 10 dB(A) at 3m, low speed
- Exceeds newly proposed stringent 20 Pa back pressure requirement
- Low profile aesthetic circular design
- Ideal for removing condensation, which can lead to mould and ill health

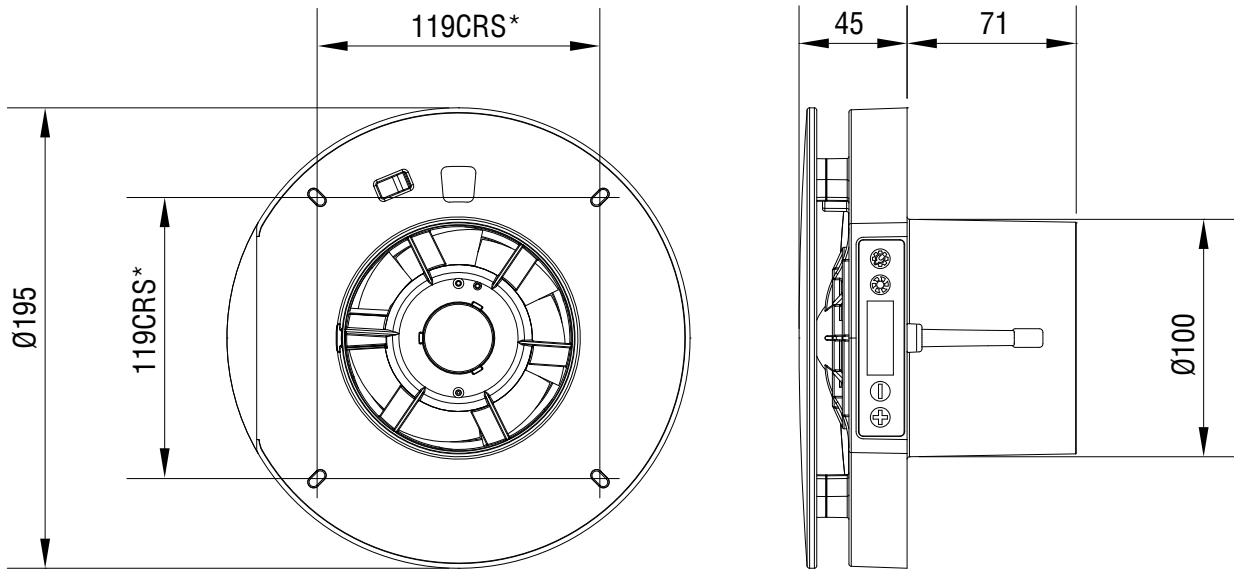
- Easy to clean and maintain
- Unique high performance impeller and guide vane design
- PCDB listed for inclusion within SAP
- 18 months guarantee (UK only)
- Complies with Building Regulations Part F (England and Wales)

Ideal for Social Housing

Includes all of the standard points plus:

- Data logging - The unit records the length of time it has been in powered use and the average humidity on a Daily/Monthly/Annual basis. The results can be recalled via the unit's digital display
- Humidity control - To help maintain good levels of ventilation and combat mould/condensation

Specification



*Fixing Holes

Dimensions in mm

Product Codes

TP640 – Basic version

TP640H – Humidity Control

TP640HD – Humidity Control with Data Logging

Standards

Designed and manufactured in accordance with EN60335-2-80 (Low Voltage Directive) and the EMC Directive (Electromagnetic Compatibility).

Air performance measured according to ISO 5801 at 230V 50Hz, air density 1,2 Kg/m³.

CE marked.

Dimensions - Ø195mm with 45mm projection

Weight: 0.5Kg

Finish: Gloss White

Materials: ABS, PCB, LED display & brushless motor.

Controls: Onboard 4 button controls with 4 digit LED display

Guarantee period: 18 months (UK only)

Electrical: 220-240 V ~ 50/60Hz

Installation: Install in accordance with regulatory requirements, such as the Domestic Ventilation Compliance Guide (England & Wales) and the Residential Ventilation Association recommendations.

www.titon.com/ultimate

* Results as Consp10 - Future SAP/PCDB proposal, as tested by the BRE. The future requirements of Consp10 require a maximum of 30% reduction in flow with a pressure of 20Pa, many dMEV and small continuous fans are unable to comply with this requirement.

** Acoustic results are measured with a 'through wall' installation

*** Source www.urbandictionary.com

894 The Crescent, Colchester Business Park, Colchester, CO4 9YQ

Tel: +44 (0) 1206 713800

Email: ventsales@titon.co.uk **Web:** www.titon.com/uk www.titondirect.co.uk

BM193 Iss. 01 (Jan 21)

Titon operates a policy of continuous improvement and reserves the right to supply products that may differ from those illustrated and described in this publication.

 **Titon**[®]
ventilation systems