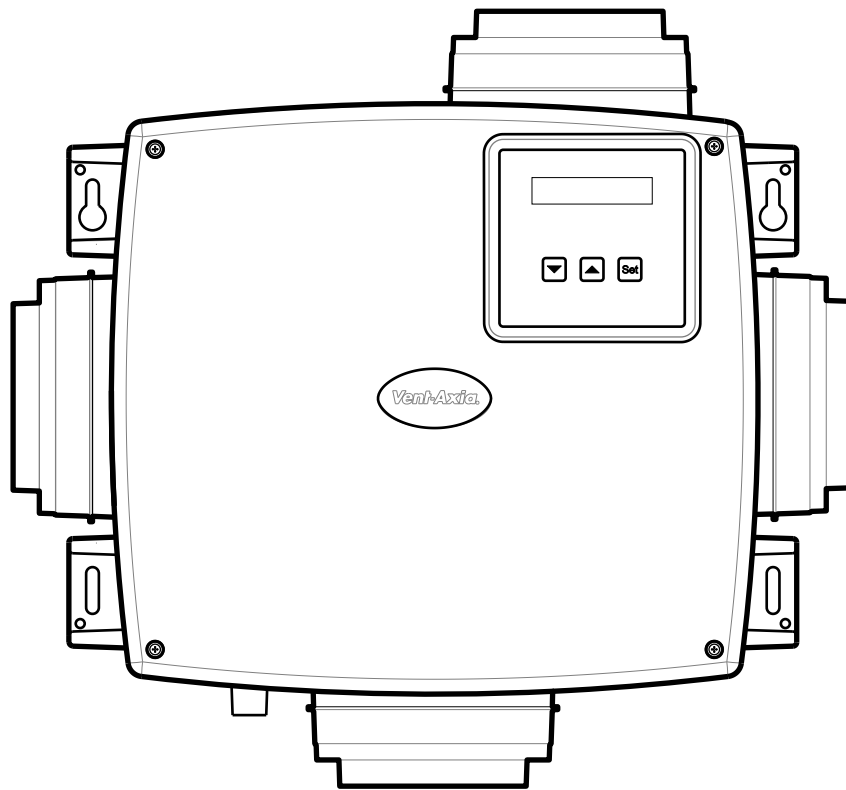


Vent-Axia®

Sentinel Multivent

**Fitting and Wiring Instructions.
Instructies voor plaatsing en bedrading.
Instructions de montage et de câblage.
Einbau- und Verdrahtungsanleitung.**



CE

Stock ref / Artikelnr / Stock référence / Bestell-Nr: 437601A

220-240V 50Hz

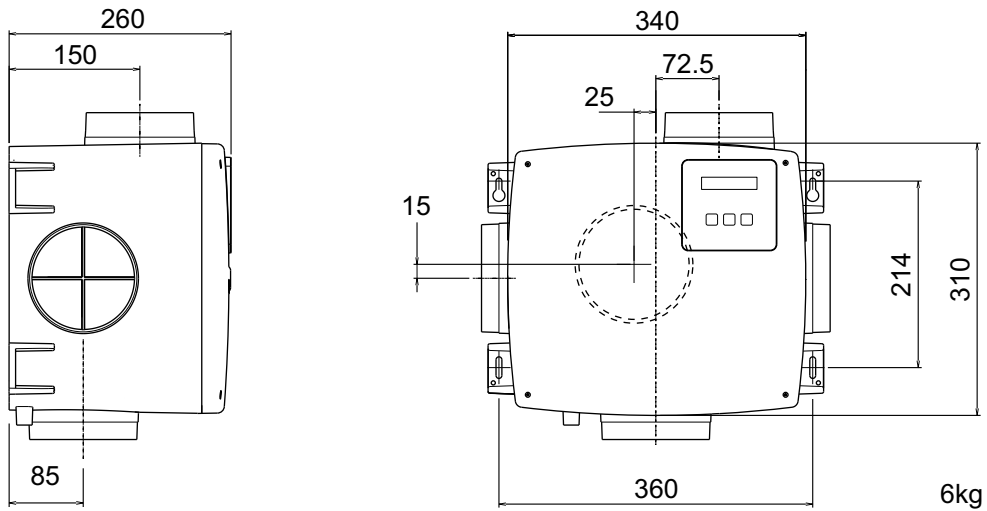
PLEASE READ INSTRUCTIONS IN CONJUNCTION WITH ILLUSTRATIONS BEFORE STARTING INSTALLATION. PLEASE LEAVE THESE INSTRUCTIONS WITH THE HOME OWNER.

LEES VOOR INSTALLATIE DEZE INSTRUCTIES ZORGVULDIG DOOR EN BESTUDEER DE AFBEELDINGEN. LAAT DE INSTRUCTIES ACHTER VOOR DE EIGENAAR VAN HET HUIS.

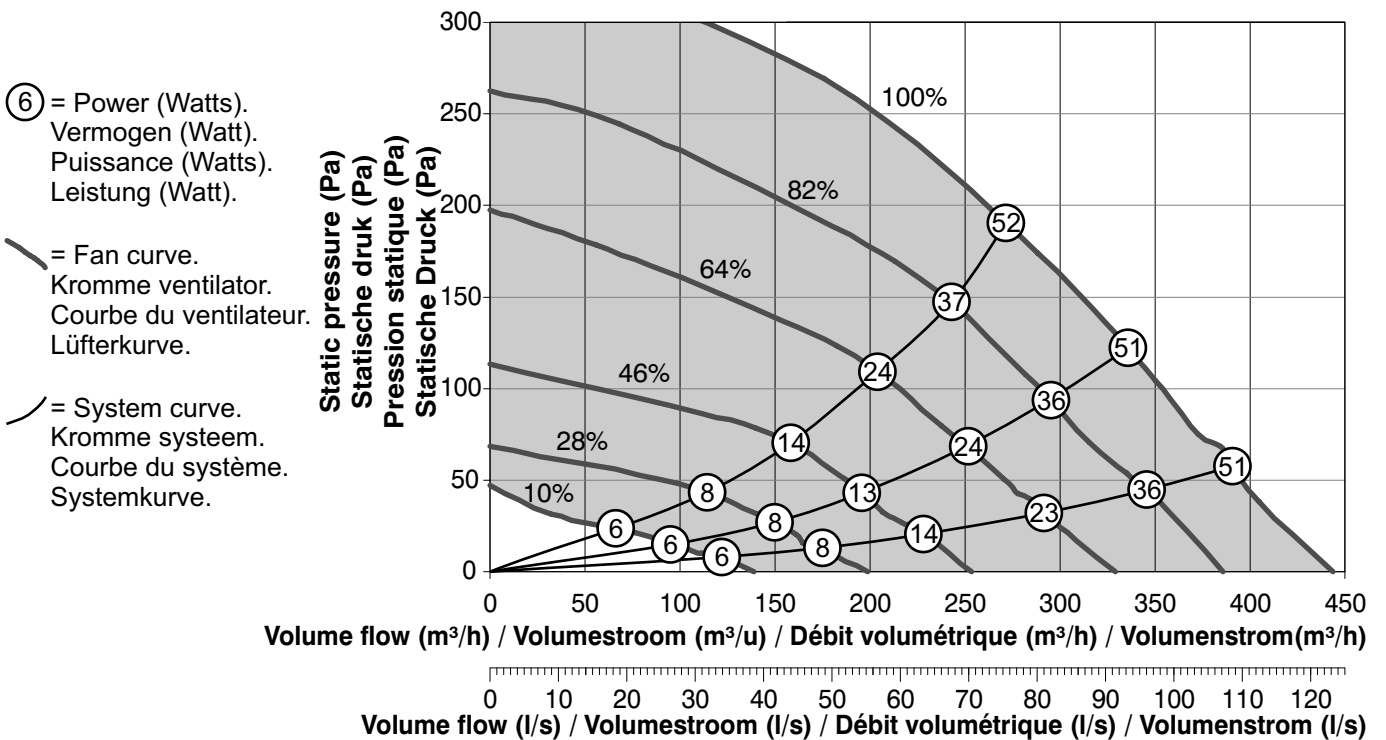
LIRE LES INSTRUCTIONS EN REGARDANT EN MÊME TEMPS LES ILLUSTRATIONS AVANT DE COMMENCER L'INSTALLATION. REMETTEZ CES INSTRUCTIONS AU PROPRIÉTAIRE DE LA MAISON.

BITTE LESEN SIE DIE VORLIEGENDE ANLEITUNG MIT BEZUG AUF DIE ABBILDUNGEN SORGFÄLTIG DURCH, BEVOR SIE MIT DER INSTALLATION BEGINNEN. DIE ANLEITUNG MUSS DEM ENDVERBRAUCHER ZUR VERFÜGUNG GESTELLT WERDEN.

Product Specification / Productspecificatie / Spécifications produit / Technische Daten.



Performance / Prestatie / Performances / Leistung



Sound Levels / Geluidsniveaus / Niveaux sonores / Schallpegel

Speed / Snelheid / Vitesse / Geschwindigkeit	10%	28%	46%	64%	82%	100%
Airflow @ 0Pa (m³/h) / Luchtstroom bij 0Pa (m³/u) / Débit d'air @ 0Pa (m3/h) / Luftstrom bei 0 Pa (m3/h)	130	200	260	330	380	450
Breakout sound (dBA) / Uitbraakgeluid (dBA) / Niveau sonore à la sortie (dBA) / Schalldurchgang (dBA)	18.1	22.0	25.8	30.5	33.7	36.8
Inlet sound (dBA) / Inlaatgeluid (dBA) / Niveau sonore à l'entrée (dBA) / Ansaugschallpegel (dBA)	17.8	22.0	26.0	30.4	34.9	37.7

Breakout and inlet sound levels were measured at 3m, spherical with a standard product without acoustic ducting.

Het niveau van het uitbraak- en inlaatgeluid is gemeten op 3m, sferisch met een standaardproduct zonder akoestische goot.

Les niveaux sonores à la sortie et à l'entrée ont été mesurés dans un rayon de 3 m avec un ventilateur standard sans gaine acoustique.

Schalldurchgangs- und Ansaugschallpegel wurden in 3 m Entfernung in allen Richtungen mit einem serienmäßigen Produkt ohne Schalldämmrohr gemessen.



1. Safety And Guidance Notes

- 1.1. DO NOT install this product in areas where the following may be present or occur:
 - 1.1.1. Excessive oil or a grease laden atmosphere.
 - 1.1.2. Corrosive or flammable gases, liquids or vapours.
 - 1.1.3. Ambient temperatures higher than 40°C or less than -5°C.
 - 1.1.4. Possible obstructions which would hinder access or removal of the Fan.
- 1.2. All wiring to be in accordance with the current I.E.E. Regulations, or the appropriate standards of your country and MUST be installed by a suitably qualified person.
- 1.3. The fan should be provided with a fused, isolator switch capable of disconnecting all poles, having a contact separation of at least 3mm.
- 1.4. Ensure that the mains supply (voltage, frequency, and phase) complies with the fan's rating label.
- 1.5. When the fan is used to remove air from a room containing a fuel-burning appliance, ensure that the air replacement is adequate for both the fan and the fuel-burning appliance.
- 1.6. When the fan extracts air from a room containing an open flue of a gas or fuel burning appliance, precautions must be taken to avoid the back-flow of gases into the room.
- 1.7. The fan should not be used where it is liable to be subjected to direct water spray.
- 1.8. The fan should be mounted at the highest point in the system to protect it from condensation build up.
- 1.9. This fan should be vented to the outdoors.
- 1.10. This appliance is not intended for use by persons (including children) with reduced physical, sensory or mental capabilities, or lack of experience and knowledge, unless they have been given supervision or instruction concerning use of the appliance by a person responsible for their safety.
- 1.11. Children should be supervised to ensure that they do not play with the appliance.

2. Introduction

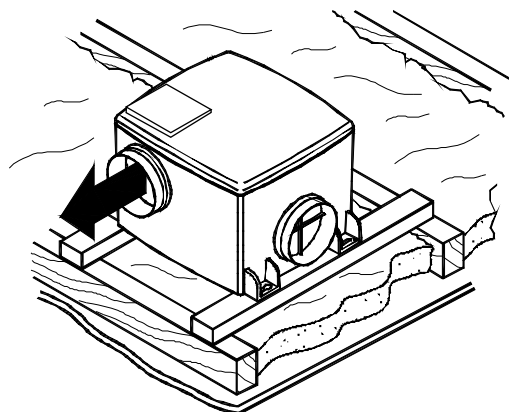
- 2.1. The Sentinel Multivent is an MEV (Mechanical Extract Ventilation) unit designed for simultaneous ventilation of multiple areas such as bathrooms, kitchens and toilets. The unit uses a highly efficient, backward curved, centrifugal, motor impeller set. It is designed for continuous, 24-hour use.
- 2.2. The Sentinel Multivent can be used with many different accessories to vary the ventilation rate depending on demand. These include an internal humidity sensor, humidity sensors for independent mounting in rooms, wireless receiver and wireless boost switches, CO₂ sensor, manual switches and pullcords. See page 7 for a list of spares and accessories.
- 2.3. Three speeds, (Low, Normal and Boost), can all be set individually to between 10% and 100% of the fan speed. The product will run at Normal speed unless the input from an accessory calls for a change to Low or Boost speed.

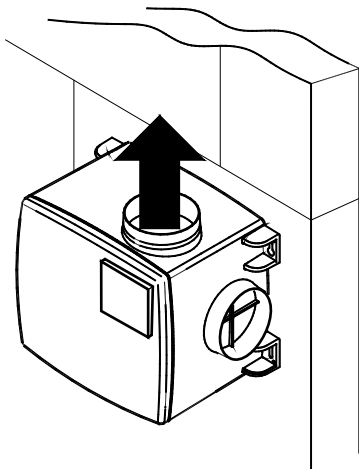
3. Siting

3.1. Position the Sentinel Multivent, taking into consideration the position of the rooms to be ventilated, the exhaust position and the electrical services. Ensure there is adequate access for installation and maintenance. Securely mount the Sentinel Multivent through the mounting holes on the casing using the appropriate anti-vibration mounts or acoustic mat, screws, washers, rubber bushes etc.

3.2. The Sentinel Multivent may be mounted in either of three orientations.

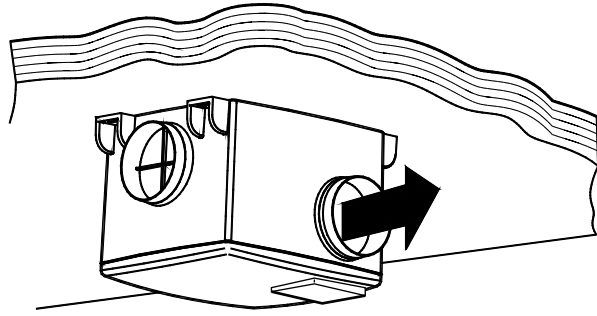
- 3.2.1. Base mounted Installation with ducting radiating out horizontally.



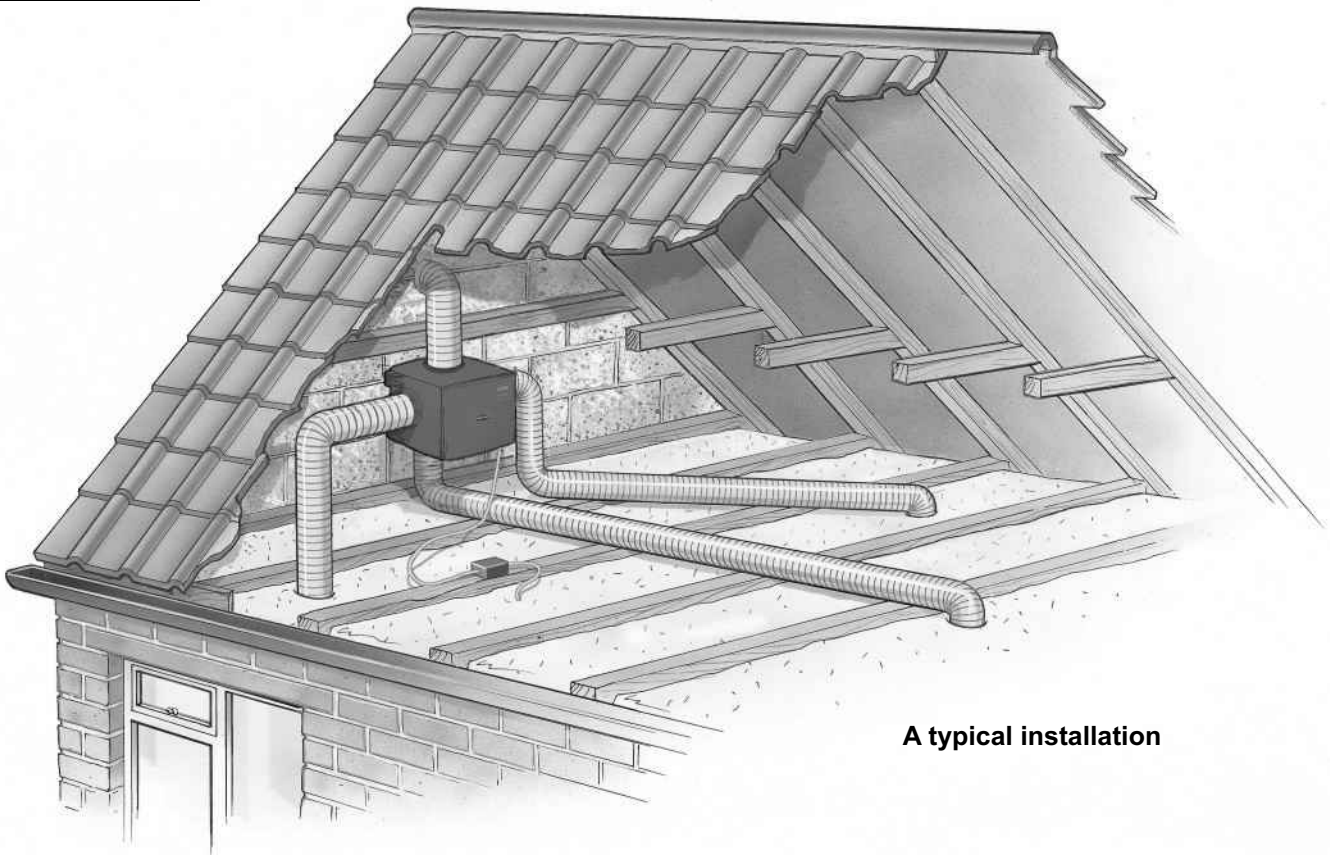


3.2.2. Vertically mounted installation with the exhaust spigot at top. The electrical connections must come out of the bottom of the unit in order to maintain the water ingress protection.

3.2.3. Ceiling mounted installation. Ducting radiates out horizontally.



4. Installation



A typical installation

4.1. To reduce the system resistance in your duct system, and therefore lower the speed, power consumption and noise of the fan, follow these instructions:

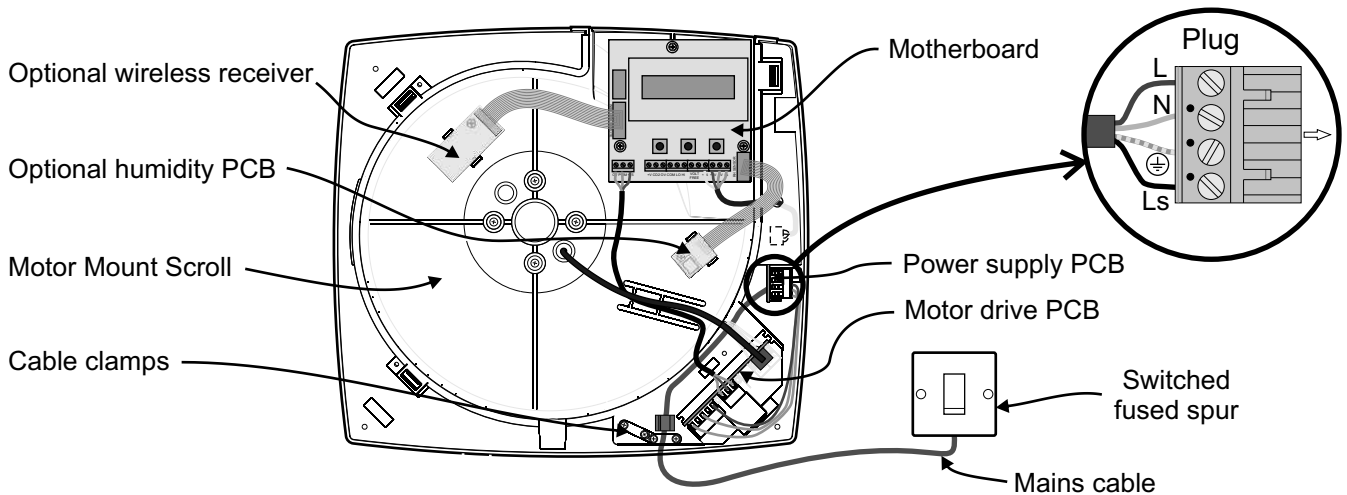
- 4.1.1. Keep the length of duct runs to a minimum, particularly the exhaust duct run.
- 4.1.2. Use larger diameter ducting rather than smaller.
- 4.1.3. If you need to use flexible ducting, make sure that it is fully extended and not crushed, sagging or torn.
- 4.1.4. Try to minimise the use of dampers by having similar length duct runs to the inlets.
- 4.1.5. The bend radius, (measured to the inside of the bend), should be at least 1x the duct diameter. The larger, the better.
- 4.1.6. Avoid having any bends, filters or other obstructions within 250mm of the fan inlets and outlet.

4.2. Mark out the fixing positions and drill holes. Use wall plugs if appropriate. Screw the fan housing in place.

4.3. Ducting passing through an unheated space should be insulated. The Sentinel Multivent can be connected to either $\varnothing 125\text{mm}$ or $\varnothing 100\text{mm}$ ducting. Remove the blanking caps to connect $\varnothing 125\text{mm}$ ducting. To connect $\varnothing 100\text{mm}$ ducting, peel out the centre of the cap with a screwdriver as indicated on the cap and leave the cap surround in position. To connect ducting to the base intake, remove the round pieces of foam and fit the cap provided in the hole. Securely connect ducting to the spigots using worm-drive clips, cable ties or duct tape.

5. Wiring to the Sentinel Multivent

5.1. Remove the cover by undoing the four screws and pulling it away.



5.2. With the power off, connect a suitable mains power cable from a switched, fused spur to the power supply PCB. For your convenience, a plug is provided. Remove this from the power supply PCB and connect the mains cable to its terminals. Then plug it back in to the power supply PCB. Use the cable clamps and clip provided to secure the lead.

5.3. If you want the fan to switch to boost speed when a light is turned on, connect the switched live connection from the lighting circuit to the LS connection on the power supply board. When commissioning the unit, a delay on timer and an overrun timer can be selected and adjusted in the software using the buttons and screen. See *Commissioning* section on page 6 of this document for details.

5.4. The switched live output (230V) from any other switch or controller, (such as a simple pullcord or push button switch, humidistat or PIR detector) can be connected to the LS terminal instead of connecting to a lighting circuit.

5.5 **Important:** Use 4-core, low voltage, twisted pair, telecoms type cable for accessories (Vent-Axia part number 459931). Connect any outputs from accessories / controls that you want to use to the terminal block on the motherboard. Again, use the cable clamp provided. Remove the knock out from the cover. The connections for accessories on the motherboard are powered by a SELV (Safety Extra Low Voltage) power supply.

5.6. Controllers or switches that switch a volt-free relay can be connected to the volt-free terminals on the motherboard. When the circuit between the two terminals is closed, (when a connected switch is in the 'On' or 'Closed' position, for example), the fan will switch to Boost speed. There are no delay on or overrun timers with the volt-free connection as the controller should determine when the fan is running at Boost or Normal speeds. Use the LS connection described above if you want a timer.

5.7. Multiple controllers or switches can be connected to the volt-free terminals when connected in parallel and the cable lengths are not long.

5.8. Connecting a switch / relay between the *Com* and *Hi* terminals will have the same effect as the connecting to the volt-free connections.

5.9. The *Lo*, *Hi* and *Com* terminals can be used to connect a three position switch. Connect *Com* to the *common* terminal of the switch, *Lo* to *Lo*, *Low* or position 1 and *Hi* to *Hi*, *High*, *Boost* or position 3. No connection to *Normal* or position 2 is required. If there is no current to the *Lo* or *Hi* terminals on the motherboard, the fan will default to Normal speed.

5.10. An optional wall mounted CO₂ sensor (433257) can be connected to the 24V, 0V and 10V terminals. The CO₂ sensor will tell the Sentinel Multivent what the CO₂ level is in ppm (parts per million) and the unit will adjust the fan speed accordingly. When the CO₂ level is below the lower threshold, (adjustable in the software), the fan will run at Normal speed. When the CO₂ level is above the upper threshold, (also adjustable in the software), the fan will run at Boost speed. If the CO₂ level is between the lower and upper thresholds the fan will run at a speed in between Normal and Boost proportional to the difference between the CO₂ level and the thresholds.

5.11 An optional internal relative humidity sensor PCB (437598) can be purchased and connected. First remove the small label covering the square hole on the scroll. Plug the connector on the end of the ribbon cable into the connector on the motherboard marked *RH*. Screw the PCB on to the scroll in the location indicated above with the small chip on the PCB pointing in to the square hole. The Sentinel Multivent uses technology similar to that in Vent-Axia's Ambient Response product, to adjust the fan speed proportionally depending on the temperature and relative humidity levels in the extracted air whilst avoiding nuisance tripping at night time when temperatures drop and relative humidity naturally rises. The Sentinel Multivent does not just look for relative humidity levels above a set point, which can be unreliable in products that extract from multiple rooms, but it also looks for rapid increase in

relative humidity typically generated by such activities as showering or cooking.

5.12. The Sentinel Multivent can also be controlled by an optional battery powered, wireless boost switch (437827) when the optional wireless receiver PCB (437599), (available in wireless boost and receiver kit 439352), is connected to the motherboard. Screw the wireless receiver PCB to the scroll in the position indicated above and plug it in to the connector on the motherboard marked CO₂. The system address is set by the 6-way DIP switch on the PCBs. The system address needs to match on the receiver PCB and all transmitter PCBs for any one system. For multiple systems in close proximity to each other, the system addresses need to be different in order to identify which transmitters are controlling which fans. The transmitter PCBs also have a 2-way DIP switch to set the transmitter address. Up to four transmitters can be used to control any one Sentinel Multivent. The transmitter address needs to be different for each transmitter in a system.

5.13. If a number of different accessories are calling for the fan to run at different speeds, the fan will run at the fastest speed called for.

6. Commissioning

6.1. With the cover on, turn the power on to the unit. The fan will start running and the screen will ask which language you want to use. Use the ▼ and ▲ buttons to move between options and press *Set* when your desired option is displayed. If no button is pressed, the Language screen will time out after about a minute. Boost switches might not change the fan speed whilst the Language screen is showing. If no new settings are entered, the unit will run at the preset settings.

6.2. The Sentinel Multivent will then go through a brief routine of displaying whether or not a wireless receiver PCB or a relative humidity PCB is detected.

6.3. The unit will then display its idle screen. This shows the speed that the fan is running at, (Low, Normal or Boost), and duty (for example, 50%).

6.4. **Press and hold the ▲ and *Set* buttons for two or three seconds to unlock the keypad and enter the menu.**

6.5. The first screen in the menu allows you to set the Boost speed. Adjust the setting using the ▼ and ▲ buttons, then press *Set* to advance to the next screen. Repeat this for the Normal and Low speeds. Note that the Normal speed must always be lower than the Boost speed and the Low speed must always be lower than the Normal speed.

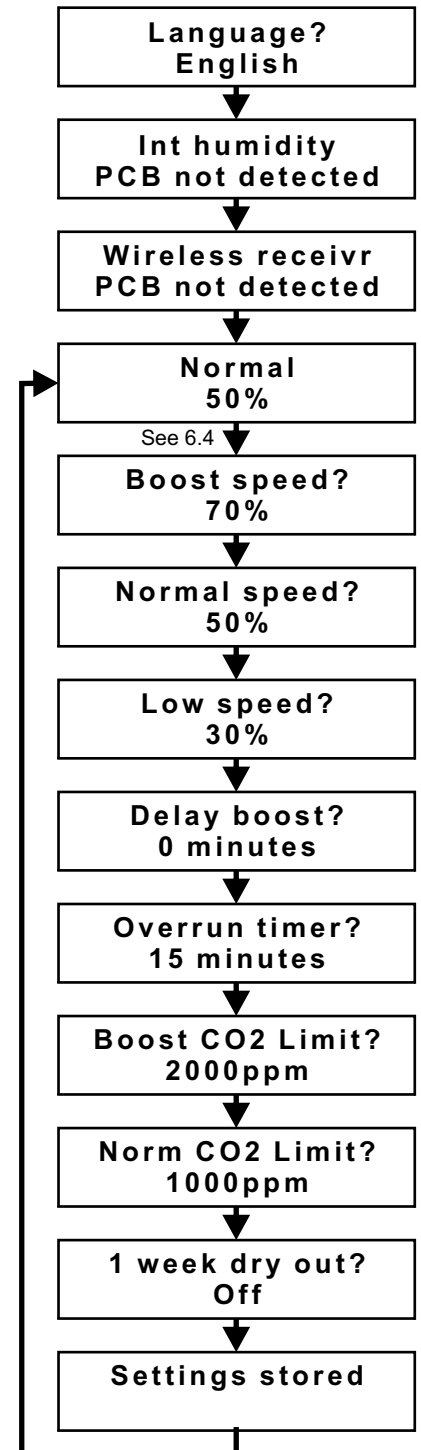
6.6. The screen allows you to select the length of a delay boost timer. (0 minutes = off). The delay boost timer will delay the fan from being switched to Boost until the LS connection has been live for the time programmed. This can be useful to prevent the fan from boosting when the bathroom light has only been switched on for a short period of time (when someone is only washing their hands and Boost speed is not required, for example). Press *Set* to go to the next screen.

6.7. The overrun timer can be adjusted to between 0 and 25 minutes. (0 minutes = off). This timer will keep the fan running at Boost speed for the set time period after the LS is no longer live (after a switch is turned off). It will then return to Normal speed.

6.8. When the external CO₂ sensor is connected, the upper and lower thresholds can be adjusted in the menu. It may take up to 40 seconds for a CO₂ sensor to be recognised. The *Boost CO₂ Limit* is the CO₂ level at which the fan will run at Boost speed. The *Norm CO₂ Limit* is the level at which the fan will run at Normal speed. If the CO₂ level is between these two points, the fan will run at a speed in between Normal and Boost.

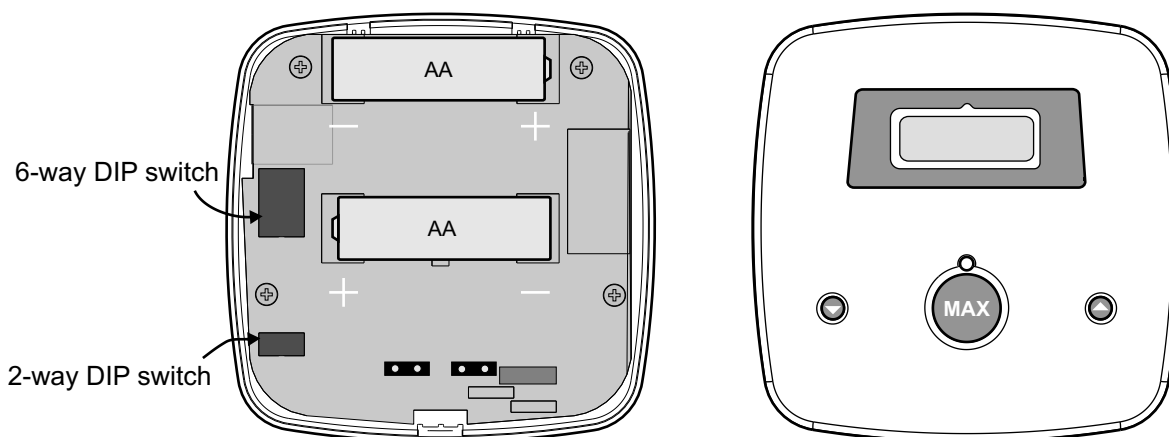
6.9. Turning the *1 week dry out feature* on will make the Sentinel Multivent run at boost speed for one week before reverting to normal operation. This can be useful when the Sentinel Multivent is installed in a new-build property that is almost complete. The increased ventilation can help dry out fresh plaster and paint allowing trades to move on quicker.

6.10. Press *Set* again to exit the menu. The unit will save the settings, return to the idle screen and lock the keypad.



7. Using the optional Wireless Boost Switch

7.1. Open the wireless boost switch by inserting a flat bladed screwdriver in the slot at the bottom. Make sure that the system address, (set by the 6-way DIP switch), on the wireless boost switch PCB matches that on the wireless receiver PCB. The transmitter address on each wireless boost switch, (set by the 2-way DIP switch), should be different if you have more than one wireless boost switch.



7.2. Fit two AA batteries to the wireless boost switch. Remove the plastic tabs between battery and terminal. Battery life will be dependent on the capacity of the battery (measured in mAh), how many times the transmitter buttons are pressed, how long the boost intervals are and whether or not the LS connection is used. Accessories can be connected to the volt-free and Ls connections so that the wireless boost switch sends a boost signal on the accessory's behalf. Turn to page 27 for wiring diagrams.

7.3. The little light above the "Max" button will light up when a button is pressed.

7.4. Pressing the "Max" button will send a signal wirelessly to the Sentinel Multivent telling it to run at Boost speed for 15 minutes. Pressing the down and up buttons will adjust the overrun time in 5 minute increments. The LCD will count down the time in minutes. If more than one of the wireless boost switches are calling for Boost speed, the Sentinel Multivent will prioritise the longest overrun time period requested. The Sentinel Multivent may continue to run at Boost speed after the timer has timed out if another accessory or switch is calling for Boost speed.

7.5. Purge Feature: Pressing and holding the "Max" button for more than 5 seconds will send a signal telling the Sentinel Multivent to run at maximum speed for 2 hours. Maximum speed is likely to be higher than Boost speed, depending on the size of the system installed.

8. Servicing and Maintenance



WARNING: THE FAN AND ANCILLARY CONTROL EQUIPMENT MUST BE ISOLATED FROM THE POWER SUPPLY DURING MAINTENANCE.

8.1. At intervals appropriate to the installation, the fan should be inspected and cleaned to ensure there is no significant build up of dirt or other deposits. To inspect the inside of the product isolate the power, remove the cover, remove the scroll assembly by unclipping the clips in each corner and pulling away. If necessary, vacuum the inside of the Sentinel Multivent.

8.2. The fan has sealed for life bearings, which do not require lubrication. Expected service life is at least 45,000 hours continuous running.

9. Optional Accessories

Internal relative humidity PCB (437598)

Wireless boost and receiver kit (439352)

Wireless boost switch (437827)

Ambient Response (563550/563551/563552)

Ecotronic Humidistat (563532)

PIR sensor (426418)

Pullcord switch (370278)

Normal / Boost switch (370495)

3 position switch (438045)

Turn to page 23 for wiring diagrams.



1. Veiligheidsvoorschriften en richtlijnen

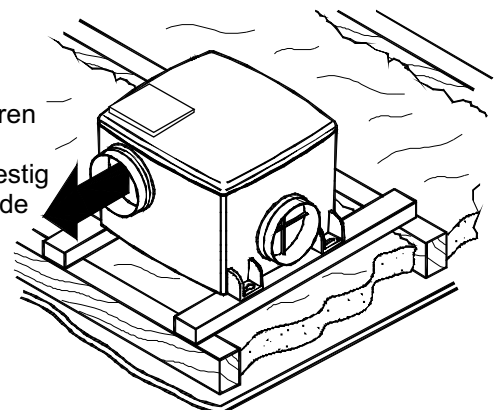
- 1.1. Installeer dit product NIET op plaatsen waar de volgende omstandigheden zich (kunnen) voordoen:
 - 1.1.1. Een atmosfeer met een buitensporig olie- of vetgehalte.
 - 1.1.2. Corrosieve of brandbare gassen, vloeistoffen of dampen.
 - 1.1.3. Omgevingstemperatuur hoger dan 40°C of lager dan -5°C.
 - 1.1.4. Mogelijke obstakels die toegang tot of verwijdering van de ventilator zouden belemmeren.
- 1.2. Alle bedrading moet in overeenstemming zijn met de huidige IEE-voorschriften of de geldende bepalingen in uw land en MOET worden aangebracht door iemand met de juiste kwalificaties.
- 1.3. De ventilator moet worden voorzien van een scheidingsschakelaar met 3A-zekering, waarbij alle polen kunnen worden geïsoleerd met een scheidingsafstand van ten minste 3 mm.
- 1.4. Zorg ervoor dat de stroomtoevoer van het lichtnet (voltage, frequentie en fase) geschikt is voor de ventilator (zie identificatieplaatje).
- 1.5. Wanneer de ventilator wordt gebruikt om lucht te verwijderen uit een ruimte met een brandstofgestookt apparaat, zorg er dan voor dat de luchtverversing voldoende is voor zowel de ventilator als het brandstofgestookte apparaat.
- 1.6. Wanneer de ventilator lucht afvoert vanuit een ruimte met een open rookkanaal voor een gas- of brandstofgestookt apparaat, moeten voorzorgsmaatregelen worden genomen om terugstroming van gassen naar de ruimte te voorkomen.
- 1.7. De ventilator mag niet gebruikt worden, wanneer de kans bestaat van blootstelling aan directe waterstralen.
- 1.8. De ventilator moet worden geplaatst op het hoogste punt van het systeem om hem te beschermen tegen condensopbouw.
- 1.9. De luchtafvoer van deze ventilator moet zijn aangesloten op de buitenlucht.
- 1.10. Dit apparaat is niet geschikt voor gebruik door personen (waaronder mede begrepen kinderen) met verminderde lichamelijke, zintuiglijke of mentale capaciteiten of met een gebrek aan ervaring en kennis, tenzij ze onder toezicht staan of instructies hebben gekregen aangaande het gebruik van het apparaat door iemand die verantwoordelijk is voor hun veiligheid.
- 1.11. Kinderen moeten onder toezicht staan om ervoor te zorgen dat ze niet met het apparaat spelen.
- 1.12. LET OP! Sommige oudere tl-buizen en spaarlampen kunnen storing veroorzaken in andere elektronische/timerschakelingen. Gebruik voor betrouwbare functionering van de timers spaarlampen van na 2000 of gloeilampen met wolframdraad voor de verlichting van de ruimte.

2. Inleiding

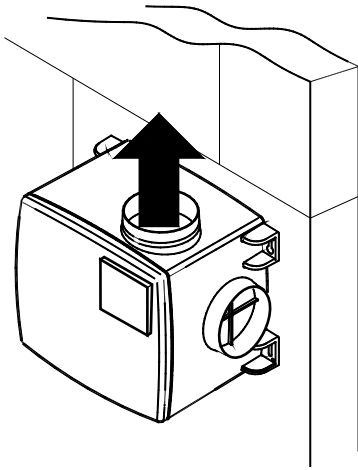
- 2.1. De Sentinel Multivent is een automatisch ventilatiesysteem (MEV) voor gelijktijdige ventilatie van meerdere ruimtes, zoals badkamers, keukens en toiletten. Het apparaat maakt gebruik van een reeks uiterst efficiënte, achterwaarts gebogen, centrifugale motorbladen. Het is bestemd voor continu, 24-uurs gebruik.
- 2.2. De Sentinel Multivent kan worden gebruikt met veel verschillende opties om de ventilatiesnelheid aan te passen aan de vraag. Deze opties zijn onder meer: een ingebouwde luchtvochtigheidssensor, luchtvochtigheidssensoren die los aangebracht kunnen worden in ruimtes, een draadloze ontvanger en draadloze boosterschakelaars, CO₂-sensor, handmatige schakelaars en trekkoorden. Zie pagina 12 voor een lijst reserveonderdelen en toebehoren.
- 2.3. De drie snelheden (laag, normaal en booster) kunnen allemaal afzonderlijk worden ingesteld op 10% tot 100% van de ventilatorsnelheid. Het product draait op de normale snelheid, tenzij via een optioneel hulpstuk wordt gevraagd om overschakeling op lage of boostersnelheid.

3. Plaatsing

- 3.1. Let bij de plaatsing van de Sentinel Multivent op de plaats van de te ventileren ruimtes, de plaats van de afvoeruitgang en de elektrische voorzieningen. Zorg ervoor dat de plek voldoende toegankelijk is voor installatie en onderhoud. Bevestig de Sentinel Multivent stevig op zijn plaats door middel van de montagegaten in de behuizing met behulp van een antitrillingsmontageplaat of akoestische mat, schroeven, sluitringen, rubberen bussen, enz.

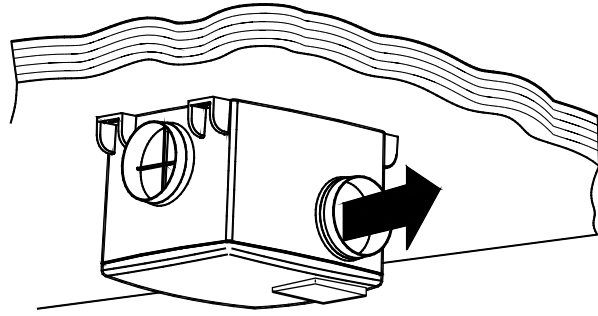


- 3.2. De Sentinel Multivent kan in drie richtingen worden gemonteerd.
 - 3.2.1. Installatie op de bodem waarbij de buizen horizontaal lopen.

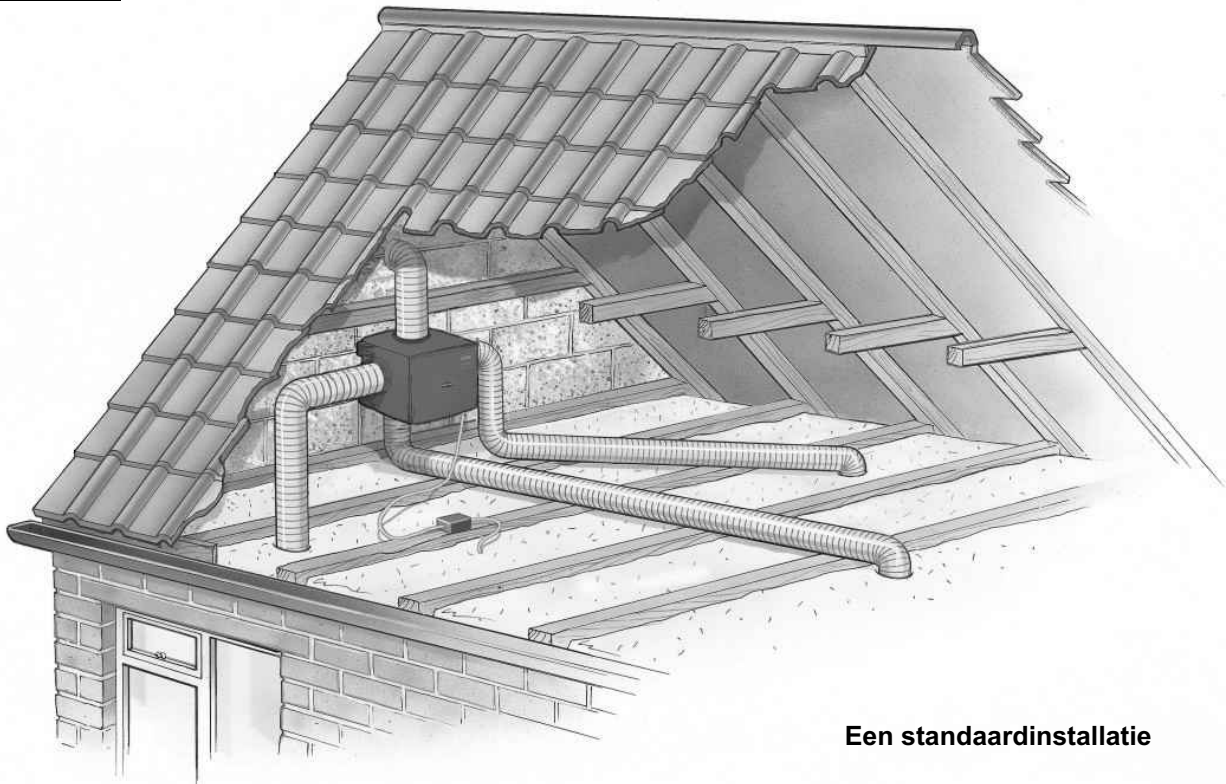


3.2.2. Verticale installatie met de afvoeropening naar boven. De elektrische aansluitingen moeten uit de bodem van het apparaat komen om de bescherming tegen waterindringing te waarborgen.

3.2.3. Installatie aan het plafond. De buizen lopen horizontaal.



4. Installatie



Een standaardinstallatie

4.1. Als u de weerstand van het systeem in uw buizenstelsel wilt verlagen om zo de snelheid, het stroomverbruik en het lawaai van de ventilator te beperken, dient u op de volgende punten te letten:

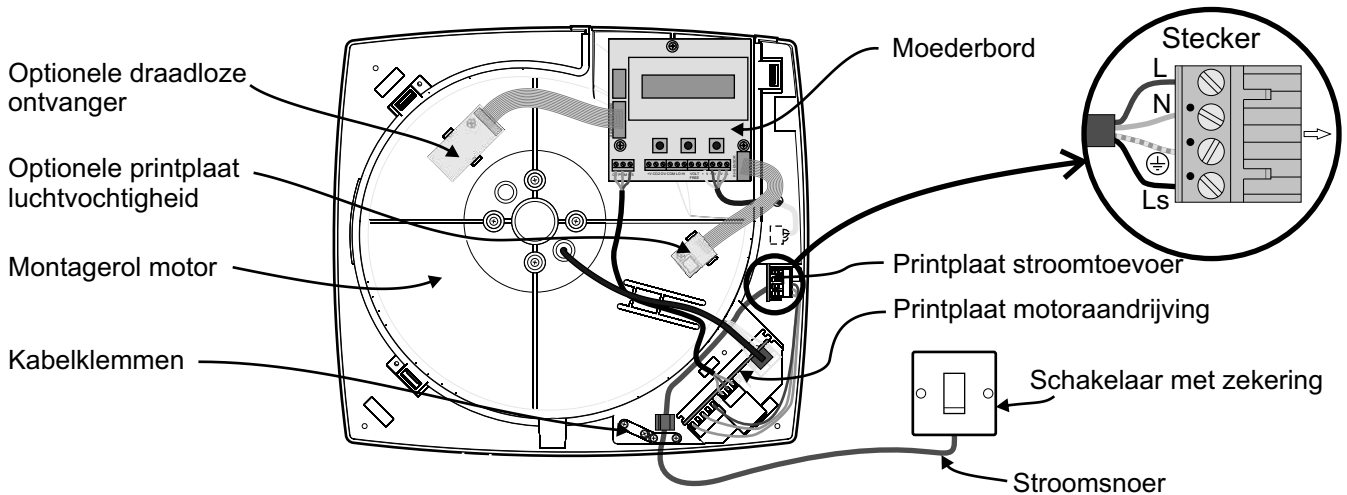
- 4.1.1. Houd de lengte van de buizen zo kort mogelijk, met name de buis naar de afvoer.
- 4.1.2. Gebruik liever buizen met een grotere diameter dan met een kleine.
- 4.1.3. Als u flexibele buizen moet gebruiken, zorg er dan voor dat deze volledig uitgerekt zijn en niet bekneld zitten, doorbuigen of gescheurd zijn.
- 4.1.4. Probeer het gebruik van dempers te beperken door buizen van vergelijkbare lengte te gebruiken voor de inlaten.
- 4.1.5. De straal van de bocht (gemeten aan de binnenkant van de bocht) moet ten minste even groot zijn als de buisdiameter, maar hoe groter, hoe beter.
- 4.1.6. Vermijd bochten, filters of andere obstakels binnen 250 mm van de inlaten en uitlaat van de ventilator.

4.2. Markeer de bevestigingspunten en boorgaten. Gebruik zo nodig muurpluggen. Schroef de behuizing van de ventilator op de juiste plaats.

4.3. Buizen die door een onverwarmde ruimte lopen, moeten geïsoleerd worden. De Sentinel Multivent kan worden aangesloten op buizen met een diameter van 125 mm of 100 mm. Verwijder de gestanste doppen om buizen met een diameter van 125 mm aan te sluiten. Als u buizen met een diameter van 100 mm wilt aansluiten, moet u met een schroevendraaier het midden van de dop verwijderen zoals aangegeven op de dop en de rand van de dop laten zitten. Voor het aansluiten van buizen op de basisingang moet u de ronde stukken schuim verwijderen en de meegeleverde dop in het gat plaatsen. Bevestig de buizen stevig aan de insteekkeinden met behulp van klemmen met wormaandrijving, kabelbinders of leidingtape.

5. Bedrading van de Sentinel Multivent

5.1. Verwijder het deksel door de vier schroeven los te draaien en het deksel eraf te trekken.



5.2. Zorg ervoor dat de stroom is uitgeschakeld en sluit een geschikt stroomsnoer aan tussen een schakelaar met zekering en de printplaat voor de stroomtoevoer. Voor uw gemak wordt een stecker meegeleverd. Verwijder deze van de printplaat voor de stroomtoevoer en sluit het stroomsnoer aan op de aansluitklemmen. Steek hem vervolgens weer in de printplaat voor de stroomtoevoer. Bevestig het snoer met behulp van de aanwezige (kabel)klemmen.

5.3. Als u wilt dat de ventilator op boostersnelheid gaat draaien, wanneer er een lamp aan gaat, sluit de geschakelde, onder spanning staande aansluiting van de verlichtingsstroomkring dan aan op de LS-aansluiting op de printplaat voor de stroomtoevoer. Bij de inwerkingstelling van het apparaat kunnen een vertragingstijd en doorlooptijd worden geselecteerd en aangepast in de software met behulp van knoppen en scherm. Zie voor meer informatie het hoofdstuk *Inwerkingstelling* op pagina 11 van deze instructies.

5.4. De geschakelde, onder spanning staande uitgang (230V) van een andere schakelaar of controller (zoals een eenvoudig trekkoord of drukknop, hygrostaat of PIR-detector) kan worden aangesloten op de LS-aansluitklem in plaats van op een verlichtingsstroomkring.

5.5. **Let op!** Gebruik een 4-aderige, laagspannings-, gevlochten, telecommunicatiekabel voor hulpstukken (artikelnummer 459931 Vent-Axia). Sluit uitgangen van hulpstukken/regelaars die u wilt gebruiken, aan op het aansluitblok van het moederbord. Gebruik opnieuw de aanwezige kabelklem. Verwijder het voorgestane deel uit het deksel. De aansluitingen voor hulpstukken op het moederbord worden gevoed met een SELV-stroomtoevoer (Safety Extra Low Voltage; extra lage spanning voor de veiligheid).

5.6. Regelaars of schakelaars die een spanningsvrij relais bedienen, kunnen worden aangesloten op de spanningsvrije aansluitklemmen op het moederbord. Wanneer de stroomkring tussen de twee aansluitklemmen wordt gesloten (bijvoorbeeld wanneer een aangesloten schakelaar op 'Aan' of 'Gesloten' staat), schakelt de ventilator over op boostersnelheid. Er kan geen vertragingstijd of doorlooptijd worden ingesteld voor de spanningsvrije aansluiting, omdat de regelaar moet bepalen wanneer de ventilator op booster- of normale snelheid draait. Gebruik de hierboven beschreven LS-aansluiting, als u een timer wilt gebruiken.

5.7. Er kunnen meerdere regelaars of schakelaars worden aangesloten op de spanningsvrije aansluitklemmen, wanneer ze parallel geschakeld worden en de kabels niet te lang zijn.

5.8. Aansluiting van een schakelaar / relais tussen de aansluitklemmen *Com* en *Hi* heeft hetzelfde effect als aansluiting op de spanningsvrije aansluitklemmen.

5.9. De aansluitklemmen *Lo*, *Hi* en *Com* kunnen worden gebruikt voor de aansluiting van een driepolige schakelaar. Sluit *Com* aan op de *algemene* aansluitklem van de schakelaar, *Lo* op *Lo*, *laag* of positie 1 en *Hi* op *Hi*, *hoog*, *boost* of positie 3. Er hoeft niets te worden aangesloten op *normaal* of positie 2. Als er geen stroom loopt naar de aansluitklemmen *Lo* of *Hi* op het moederbord, dan draait de ventilator standaard op normale snelheid.

5.10. Er kan een aan de muur bevestigde CO₂-sensor (433257) worden aangesloten op de 24V-, 0V- en 10V-aansluitklemmen. De CO₂-sensor geeft aan de Sentinel Multivent door wat het CO₂-niveau is in ppm (delen per miljoen) en afhankelijk daarvan zal het apparaat de ventilatorsnelheid aanpassen. Wanneer het CO₂-niveau boven de bovenlimiet uitkomt (ook aan te passen in de software), gaat de ventilator op boostersnelheid draaien. Als het CO₂-niveau tussen de onder- en bovenlimiet ligt, draait de ventilator op een snelheid tussen de normale en de boostersnelheid die in verhouding staat tot het verschil tussen het CO₂-niveau en de limieten.

5.11. Er kan een optionele ingebouwde printplaat voor een sensor voor relatieve luchtvochtigheid (437598) worden gekocht en aangesloten. Verwijder eerst het kleine, witte etiket dat de vierkante opening op de rol bedekt. Steek het koppelstuk aan het eind van de lintkabel in het koppelstuk *RH* op het moederbord. Schroef de printplaat op de

rol in de hierboven aangegeven richting, waarbij de kleine inkeping in de printplaat naar de vierkante opening wijst. De Multivent is gebaseerd op vergelijkbare technologie als die in de Ambient Response van Vent-Axia om de ventilatorsnelheid aan te passen afhankelijk van de temperatuur en relatieve luchtvochtigheid van de afgevoerde lucht, terwijl irritante inschakeling 's nachts wordt voorkomen, wanneer de temperatuur daalt en de relatieve luchtvochtigheid van nature stijgt. De Multivent let niet alleen op of de relatieve luchtvochtigheid boven een bepaald punt komt, wat onbetrouwbaar kan zijn bij producten die lucht afvoeren uit meerdere ruimtes, maar het let ook op een snelle stijging van de relatieve luchtvochtigheid die vaak het gevolg is van activiteiten als douchen of koken.

5.12. De Sentinel Multivent kan ook worden bediend met een optionele draadloze boosterschakelaar (437827) op batterijen, wanneer de printplaat van de optionele draadloze ontvanger (437599/439352) is aangesloten op het moederbord. Schroef de printplaat van de draadloze ontvanger op de rol op de hierboven aangegeven plek en sluit hem aan op het koppelstuk CO₂ op het moederbord. Het systeemadres wordt ingesteld door de 6-gangs DIP-schakelaar op de printplaten. Het systeemadres moet overeenkomen op de printplaat van de ontvanger en op de printplaten van alle zenders voor hetzelfde systeem. Wanneer er meerdere systemen dichtbij elkaar worden gebruikt, dan moeten de systeemadressen anders zijn om te bepalen welke zenders welke ventilatoren bedienen. De printplaten van de zenders zijn ook voorzien van een 2-gangs DIP-schakelaar om het zenderadres in te stellen. Er kunnen maximaal vier zenders worden gebruikt voor de aansturing van één Sentinel Multivent. Elke zender in een systeem moet een ander zenderadres hebben.

5.13. Als verschillende hulpstukken de ventilator vragen om verschillende snelheden, dan draait de ventilator op de hoogste gevraagde snelheid relative humidity typically generated by such activities as showering or cooking.

6. Inwerkingstelling

6.1. Zorg ervoor dat het deksel dicht zit en schakel de stroom in. De ventilator gaat draaien en op het scherm wordt gevraagd welke taal u wilt gebruiken. Met de ▼ en ▲ toets kunt u door de opties bladeren. Druk op Set wanneer de gewenste optie wordt weergegeven. Als er geen nieuwe instellingen worden opgegeven, werkt het apparaat met de fabrieksinstellingen.

6.2. De Sentinel Multivent loopt vervolgens een kort programma door, waarbij wordt weergegeven of er een printplaat voor een draadloze ontvanger of een printplaat voor relatieve luchtvochtigheid gevonden.

6.3. Vervolgens verschijnt het normale scherm. Hierop wordt de snelheid van de ventilator aangegeven (laag, normaal of booster) en de benutting (bijvoorbeeld 50%).

6.4. Houd de ▲ en Set-toets twee à drie seconden ingedrukt om het toetsenpaneel te ontgrendelen en het menu op te roepen.

6.5. Op het eerste menuscherm kunt u de boostersnelheid instellen. Met behulp van de ▼ en ▲toets kunt u de waarde wijzigen. Druk vervolgens op Set om verder te gaan naar het volgende scherm. Herhaal dit voor de normale en lage snelheid. Let op! De normale snelheid moet altijd lager zijn dan de boostersnelheid en de lage snelheid moet altijd lager zijn dan de normale snelheid.

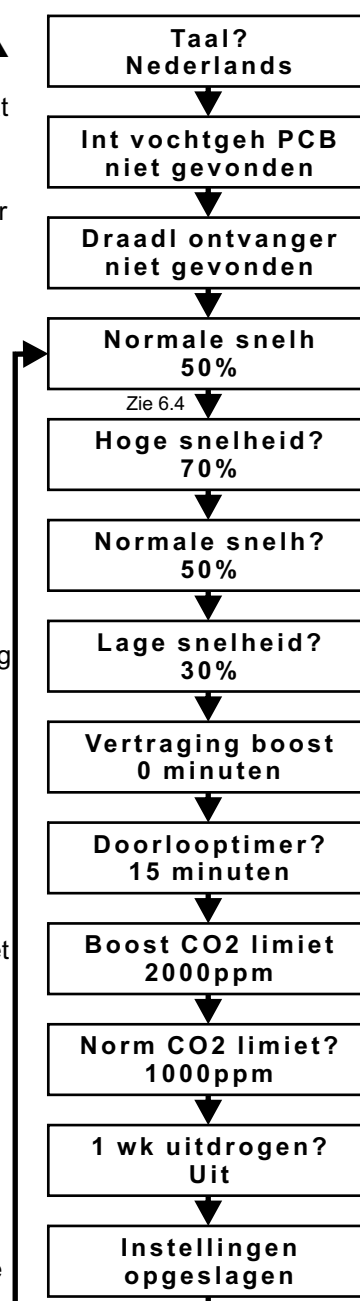
6.6. Op het scherm kunt u een vertragingstijd instellen voor de boostersnelheid (0 minuten = uit). De ventilator schakelt dan pas over op de boostersnelheid, wanneer de LS-aansluiting langer dan de aangegeven tijd onder spanning staat. Dit kan handig zijn om te voorkomen dat de ventilator op boostersnelheid gaat draaien, wanneer de lamp in de badkamer slechts kort wordt aan gedaan (bijvoorbeeld wanneer iemand alleen zijn handen wast en de boostersnelheid niet vereist is). Druk op Set om verder te gaan naar het volgende scherm.

6.7. De doorlooptijd kan worden ingesteld tussen 0 en 25 minuten (0 minuten = uit). De ventilator blijft dan op boostersnelheid draaien voor de aangegeven tijd, nadat de LS niet meer onder spanning staat (wanneer een schakelaar is uitgeschakeld). Vervolgens schakelt hij over op de normale snelheid.

6.8. Wanneer de externe CO₂-sensor is aangesloten, kunnen de boven- en onderlimiet worden aangepast via het menu. De *Boost CO2 limiet* is het CO₂-niveau waarbij de ventilator op boostersnelheid gaat draaien. De *Norm CO2 limiet* is het niveau waarbij de ventilator op normale snelheid gaat draaien. Als het CO₂-niveau tussen deze twee punten ligt, draait de ventilator op een snelheid tussen de normale en de boostersnelheid. Het kan 40 seconden duren om de aanwezigheid van een CO₂-sensor vast te stellen.

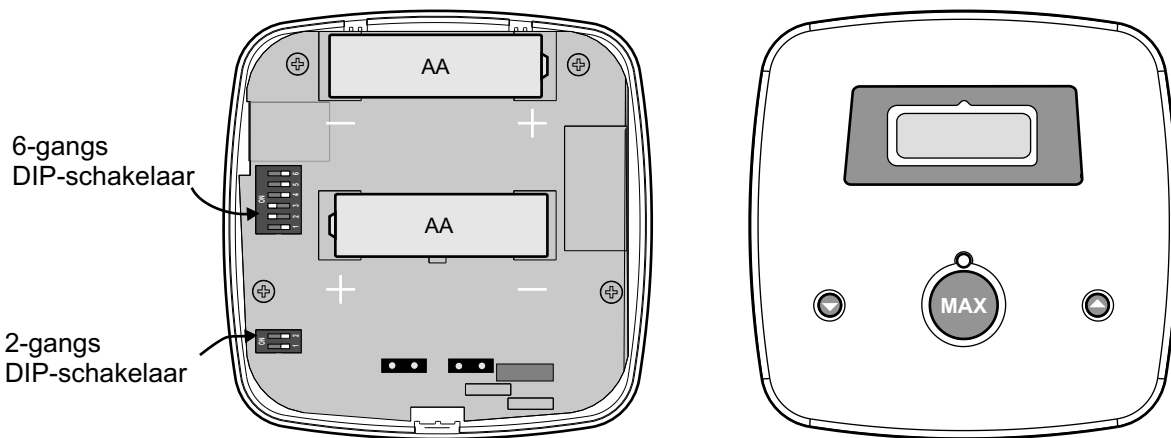
6.9. Wanneer de optie *1 week drogen* is ingeschakeld, draait de Multivent een week op boostersnelheid, voordat hij weer normaal gaat werken. Dit kan handig zijn, wanneer de Multivent wordt geïnstalleerd in een nieuwbouwhuis dat bijna af is. Door de extra ventilatie kunnen nieuw pleisterwerk en nieuwe verf sneller drogen, zodat de werklui sneller kunnen doorwerken.

6.10. Druk opnieuw op Set om het menu te verlaten. De instellingen worden opgeslagen, het normale scherm



7. Gebruik van de optionele draadloze zender / boosterschakelaar

7.1. Zorg ervoor dat het systeemadres (ingesteld met de 6-gangs DIP-schakelaar) op de printplaat van de zender overeenkomt met dat op de printplaat van de ontvanger. Bij gebruik van meerdere zenders moet het zenderadres van elke zender (ingesteld met de 2-gangs DIP-schakelaar) anders zijn.



7.2. Plaats twee AA-batterijen in de zender. De levensduur van de batterij is afhankelijk van het vermogen van de batterij (gemeten in mAh), hoe vaak de zenderknoppen worden ingedrukt, hoe lang de boostertijden zijn en of de LS-aansluiting wordt gebruikt.

7.3. Het kleine lampje boven de Max-toets gaat branden, wanneer een toets wordt ingedrukt.

7.4. Als u op de Max-toets drukt, wordt er een draadloos signaal verstuurd naar de Sentinel Multivent om aan te geven dat hij 15 minuten op boostersnelheid moet draaien. Met de pijltjes omhoog en omlaag kan de doorlooptijd in stappen van 5 minuten worden aangepast. Op het scherm wordt de tijd in minuten afgeteld. Als meerdere draadloze zenders vragen om boostersnelheid, hanteert de Sentinel Multivent de langste doorlooptijd die gevraagd wordt. De Sentinel Multivent kan op boostersnelheid blijven draaien, nadat de tijd verstreken is, indien een ander hulpstuk of een andere schakelaar om boostersnelheid vraagt.

7.5. Reinigingsfunctie: houd de Max-toets meer dan 5 seconden ingedrukt om de Sentinel Multivent 2 uur op maximumsnelheid te laten draaien. De maximumsnelheid is waarschijnlijk hoger dan de boostersnelheid, afhankelijk van de grootte van het geïnstalleerde systeem.

8. Onderhoud



WAARSCHUWING: TIJDENS ONDERHOUD MOET DE STROOM VAN DE VENTILATOR EN BIJBEHORENDE BEDIENINGSMIDDELEN WORDEN AFGESLOTEN.

8.1. Op voor de installatie geschikte tijdstippen moet de ventilator worden geïnspecteerd en gereinigd om te waarborgen dat zich geen vuil of andere afzettingen opbouwen. Sluit voor inspectie van de binnenkant van het product de stroom af en verwijder het deksel. Verwijder de montagerol door de klemmetjes in de hoeken los te maken en hem weg te trekken. Zuig zo nodig het stof binnenin de Sentinel Multivent op.

8.2. De ventilator heeft levenslange lagers die niet gesmeerd hoeven worden. De verwachte levensduur is ten minste 45.000 uur continu draaien.

9. Optioneel toebehoren

Ingebouwde printplaat relatieve luchtvochtigheid (437598)

Printplaat draadloze ontvanger (437599/439352)

Draadloze boosterschakelaar (437827)

Ambient Response (563550/563551/563552)

Ecotronic-hygrostaat (563532)

PIR-sensor (426418)

Trekkoordschakelaar (370278)

Normale / boosterschakelaar (370495)

3-standenschakelaar (438045)



1. Sécurité et recommandations

- 1.1. NE PAS installer ce ventilateur là où les conditions suivantes peuvent être présentes ou se produire
 - 1.1.1. Atmosphère très chargée en huile ou en graisse.
 - 1.1.2. Gaz, liquides ou vapeurs corrosives ou inflammables.
 - 1.1.3. Températures ambiantes supérieures à 40°C ou inférieures à -5°C.
 - 1.1.4. Obstacles possibles pouvant gêner l'accès ou la dépose du Ventilateur .
- 1.2. Tous les raccordements doivent être conformes aux réglementations actuelles I..E.E. ou aux normes appropriées de votre pays, et DOIVENT être installés par une personne bien qualifiée.
- 1.3. Le ventilateur doit être équipé d'un sectionneur avec un fusible 3A pouvant déconnecter toutes les phases, et avec une distance de séparation entre les contacts d'au moins 3 mm.
- 1.4. Vérifier que l'alimentation principale (tension, fréquence et phase) est conforme aux spécifications du ventilateur marquées sur la plaque signalétique.
- 1.5. Lorsque le ventilateur sert à évacuer l'air d'une pièce contenant des appareils de chauffage à combustible, vérifier que le taux de renouvellement de l'air est suffisant pour le ventilateur et l'appareil à combustible.
- 1.6. Lorsque le ventilateur sert à extraire l'air d'une pièce contenant un appareil à gaz ou à fioul avec tirage naturel, on doit prendre des précautions pour éviter que les gaz brûlés ne soient refoulés dans la pièce.
- 1.7. Le ventilateur ne doit pas être utilisé à un endroit où il peut recevoir directement des projections d'eau.
- 1.8. Le ventilateur doit être monté au point le plus haut dans le système pour le protéger de l'accumulation de condensation.
- 1.9. Ce ventilateur doit avoir un conduit d'évacuation d'air vers l'extérieur
- 1.10. Ce ventilateur ne doit pas être utilisé par des personnes, y compris des enfants, dont les capacités physiques, sensorielles ou mentales sont réduites, ou manquant d'expérience et de connaissance, sauf si ces personnes sont supervisées ou ont reçu des instructions concernant l'utilisation du ventilateur par une personne responsable de leur sécurité.
- 1.11. Les enfants doivent être surveillés pour s'assurer qu'ils ne jouent pas avec le ventilateur.
- 1.12. REMARQUES : Certaines lampes à faible consommation d'énergie et fluorescentes plus anciennes peuvent interférer avec d'autres circuits électroniques/de programmation. Pour un fonctionnement fiable des programmeurs,. utiliser des ampoules à faible consommation d'énergie postérieures à 2000 ou des ampoules à filament de tungstène dans le circuit d'éclairage de la pièce.

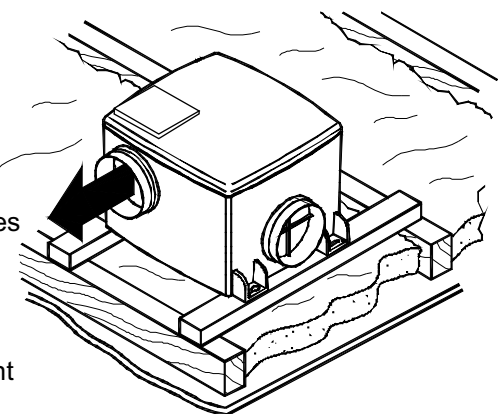
2. Introduction

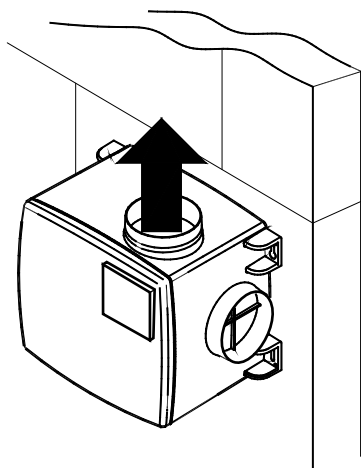
- 2.1. Le Sentinel Multivent est un ventilateur MEV (Mechanical Extract Ventilation) conçu pour ventiler simultanément plusieurs pièces, comme des salles de bains, des cuisines et des toilettes. Il utilise un ensemble roue moteur centrifuge, recourbé vers l'arrière, très efficace. Il est conçu pour fonctionner en continu 24 heures sur 24.
- 2.2. Le ventilateur Sentinel Multivent peut être utilisé avec de nombreux accessoires pour faire varier le débit de ventilation en fonction de la demande. Ces accessoires comprennent un capteur d'humidité intérieur, des capteurs d'humidité montés de manière indépendante dans les pièces, un récepteur sans fil et des commutateurs sans fil « vitesse accélérée »(Boost), un capteur CO₂, des commutateurs manuels et des cordons de commutation. Voir la page 17 pour une liste des rechanges et des accessoires.
- 2.3. Trois vitesses (Faible, Normale et Accélérée) peuvent être réglées individuellement entre 10% et 100% de la vitesse nominale du ventilateur. Le ventilateur fonctionnera à la vitesse Normale sauf si une commande lancée à

3. Implantation

- 3.1. Positionner le ventilateur Sentinel Multivent en tenant compte de la disposition des pièces à ventiler, de la position du conduit d'évacuation et des lignes électriques. Vérifier qu'il y a un accès suffisant pour l'installation et la maintenance. Fixer solidement le ventilateur Sentinel Multivent en utilisant les trous de montage sur l'enveloppe et en utilisant des supports résilients, un matelassage d'isolation acoustique, des vis, des rondelles, des bagues en caoutchouc, etc.
- 3.2. Le ventilateur Sentinel Multivent peut être monté suivant trois orientations

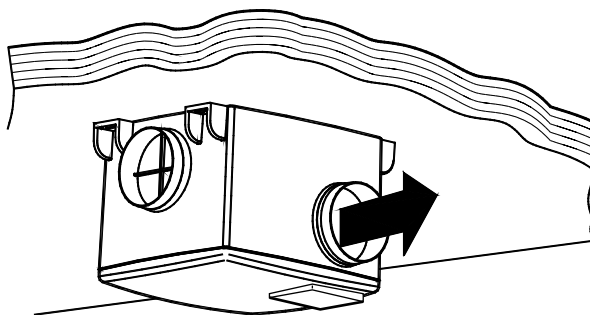
- 3.2.1. Il peut être installé sur sa base, l'air étant refoulé horizontalement par les orifices de sortie.



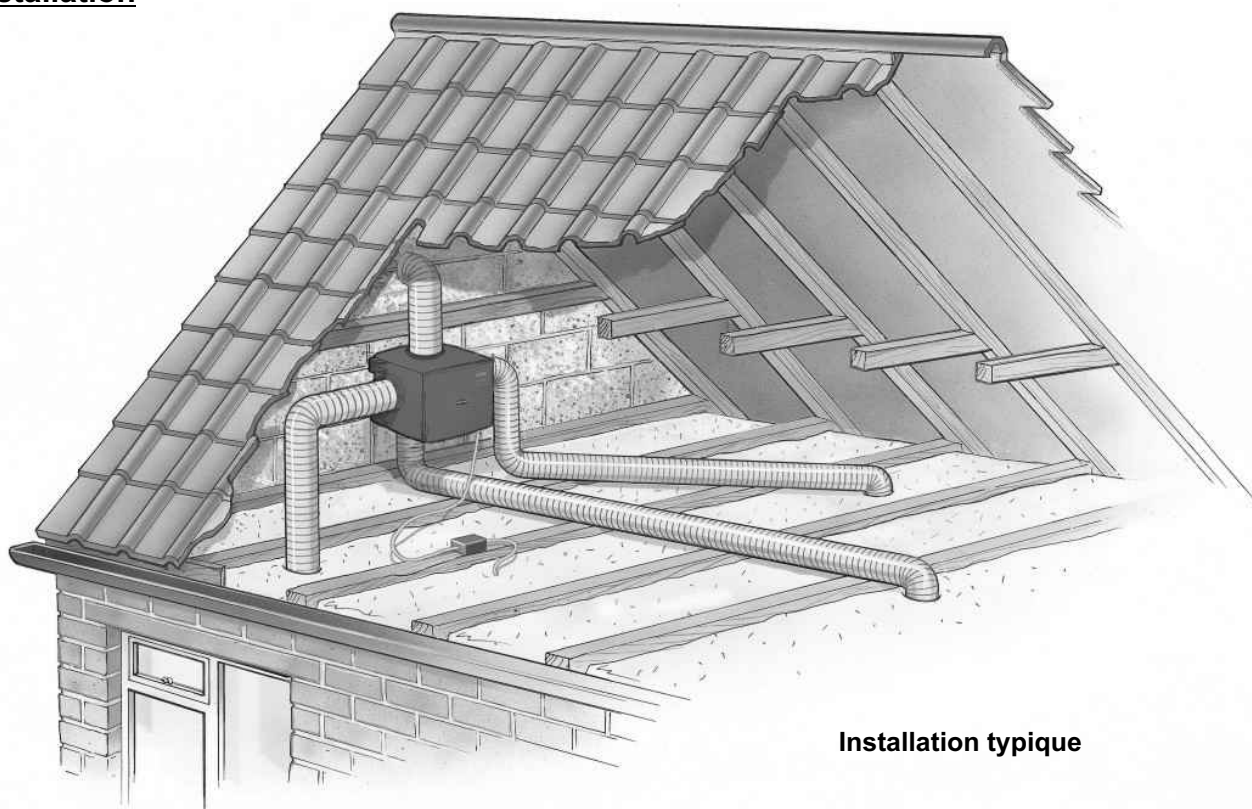


3.2.2. Il peut être installé verticalement avec l'orifice de décharge en position haute. Les fils électriques doivent sortir de la base du ventilateur pour empêcher l'eau de pénétrer

3.2.3. Installation au plafond. L'air est refoulé horizontalement par les orifices de sortie.



4. Installation



Installation typique

4.1. Pour diminuer les pertes de charge dans le circuit de conduits, ce qui diminue la vitesse, consomme de l'énergie et rend le ventilateur bruyant, suivez ces instructions:

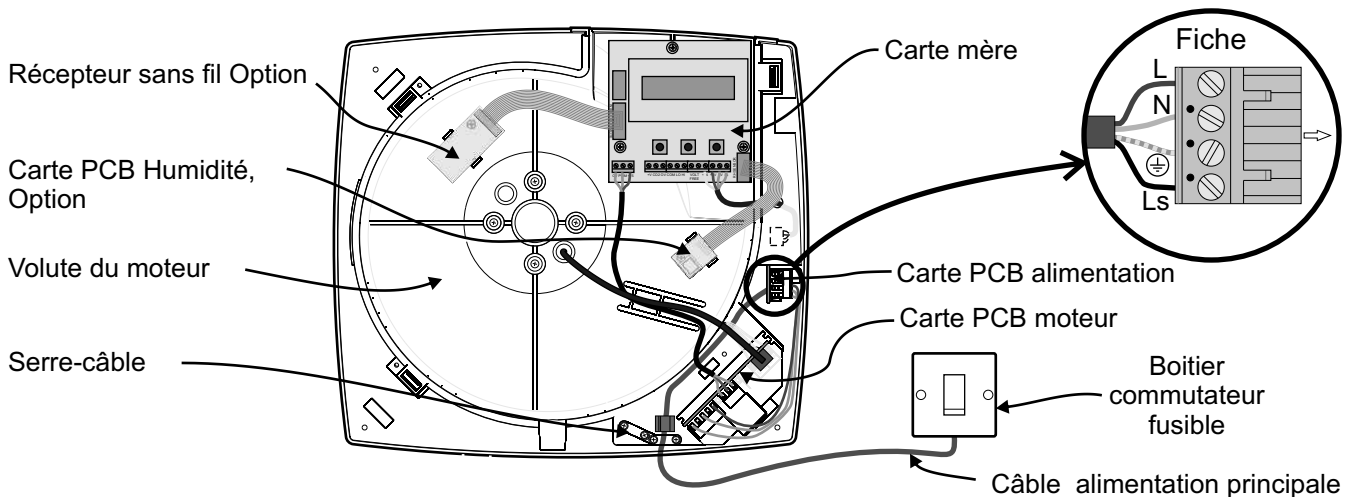
- 4.1.1. Minimisez la longueur des conduits en particulier du conduit de refoulement.
- 4.1.2. Utilisez plutôt des conduits de grand diamètre que des conduits de petit diamètre.
- 4.1.3. Si vous devez utiliser un conduit flexible, vérifiez qu'il est complètement déployé et qu'il n'est pas écrasé, qu'il ne forme pas d'arc, et qu'il n'est pas tordu.
- 4.1.4. Minimisez l'utilisation de registres en raccordant des conduits de même longueur aux orifices d'entrée.
- 4.1.5. Le rayon de courbure (mesuré à l'intérieur de la courbe) doit être égal au moins à une fois le diamètre du conduit. Il vaut mieux utiliser le rayon de courbure le plus grand possible.
- 4.1.6. Evitez les coudes, les filtres ou les autres obstructions à moins de 250 mm des orifices d'entrée et de sortie du ventilateur.

4.2. Marquez les positions des fixations et percez des trous. Utilisez des chevilles murales si nécessaire. Vissez en place l'enveloppe du ventilateur

4.3. Les conduits passant à travers un espace non chauffé doivent être isolés. Le ventilateur Sentinel Multivent peut être raccordé à des conduits de $\varnothing 125$ mm ou $\varnothing 100$ mm. Enlevez les obturateurs pour raccorder les conduits $\varnothing 125$ mm. Pour raccorder des conduits de $\varnothing 100$ mm, détachez le centre de l'obturateur à l'aide d'un tournevis comme indiqué sur l'obturateur, et laissez en place la bordure de l'obturateur. Pour raccorder les conduits à l'orifice d'admission à la base, enlevez les ronds de mousse et installez le chapeau se trouvant dans le trou. Raccordez solidement le conduit aux orifices de décharge en utilisant des clips à vis sans fin, des serre-câbles, des rubans adhésifs.

5. Câblage du ventilateur Sentinel Multivent

5.1. Enlever le couvercle en dévissant les quatre vis, et en le tirant pour le séparer.



5.2. L'alimentation électrique étant coupée, raccorder le câble d'alimentation principale entre le boîtier commutateur fusible et la carte PCB d'alimentation. Pour faciliter cette opération, il y a une barrette de connexion. Enlever cette barrette de la carte PCB alimentation et raccorder le câble d'alimentation à ses bornes. Ensuite remettre en place la barrette de connexion sur la carte PCB alimentation. Utiliser les serre-câbles et les clips fournis pour fixer le câble.

5.3. Si vous voulez que le ventilateur passe en vitesse accélérée lorsque une lampe est allumée, raccordez le fil de phase de l'interrupteur d'éclairage à la connexion LS sur la carte alimentation. Au moment de la mise en service du ventilateur, un programmeur de temporisation et un programmeur de vitesse accélérée peuvent être sélectionnés et réglés dans le logiciel en utilisant les boutons et l'écran. Voir la section Mise en service en page 16 de ce document pour plus de détails

5.4. Le fil de phase (230V) provenant d'un autre commutateur ou contrôleur (par exemple un cordon ou un bouton de commutation, un humidistat ou un détecteur PIR) peut être connecté à la borne LS, au lieu de le connecter à un circuit d'éclairage.

5.5 **Important** : utilisez un câble télécom, à paire torsadée, basse tension, à 4 conducteurs (Référence Vent-Axia 459931). Raccordez les fils de sortie des accessoires/commandes que vous voulez utiliser au bornier sur la carte mère. Utiliser à nouveau le serre-câble fourni. Enlever la boîte de jonction de son couvercle. Les connexions pour les accessoires sur la carte mère sont alimentées par une alimentation SELV (Safety Extra Low Voltage).

5.6. Les contrôleurs ou les contacteurs commutant un relais sans tension peuvent être connectés aux bornes sans tension sur la carte mère. Lorsque le circuit entre les deux bornes est fermé (lorsqu'un commutateur connecté est sur la position 'On' ou 'Closed' (Fermé) par exemple), le ventilateur passera en vitesse Accélérée (Boost). Il n'y a pas de programmeur de temporisation ou de vitesse accélérée avec les connexions sans tension car le contrôleur doit déterminer quand le ventilateur fonctionne en vitesse Accélérée ou Normale. Utiliser la connexion LS décrite ci-dessus si vous voulez un programmeur.

5.7. Plusieurs contrôleurs ou contacteurs peuvent être raccordés aux bornes dans tension lorsqu'ils sont raccordés en parallèle et que les câbles ne sont pas trop longs

5.8. Le raccordement d'un contacteur/relais entre les bornes Com et Hi aura le même effet que le raccordement à des connexions sans tension.

5.9. Les bornes *Lo*, *Hi* et *Com* peuvent servir à connecter un commutateur à trois positions. Raccorder *Com* à la borne *common* (commune) du contacteur, *Lo* à *Lo*, *Low* (bas) ou position 1, et *Hi* à *Hi*, *High* (Haut), *Boost* (Accélérée) ou position 3. Il n'est pas nécessaire de connecter la position *Normal* ou la position 2. S'il n'y a pas de courant sur les bornes *Lo* ou *Hi* de la carte mère, par défaut, le ventilateur passera en vitesse Normale.

5.10. Un capteur CO₂ (433257), à montage mural, peut être connecté aux bornes 24V, 0V et 10V. Le capteur CO₂ transmettra au ventilateur Sentinel Multivent la teneur en CO₂ en ppm (parties par million), et la vitesse du ventilateur sera réglée en conséquence. Lorsque la teneur en CO₂ est inférieure à la valeur minimum (réglable dans le logiciel), le ventilateur fonctionnera à la vitesse Normale. Si la teneur en CO₂ dépasse la valeur maximum (réglable aussi dans le logiciel), le ventilateur fonctionnera en vitesse Accélérée (Boost). Si la teneur en CO₂ est comprise entre les valeurs minimum et maximum, le ventilateur fonctionnera à une vitesse comprise entre Normale et Accélérée proportionnellement à la différence entre la teneur en CO₂ et les limites.

5.11 En options, une carte PCB (437598) capteur d'humidité relative intérieure peut être achetée et connectée. Enlever d'abord la petite étiquette blanche recouvrant le trou carré sur la volute. Brancher le connecteur à l'extrémité du câble ruban dans le connecteur marqué RH sur la carte mère. Visser la carte PCB sur la volute à l'emplacement indiqué ci-dessus, la petite puce sur la carte PCB pointant dans le trou carré. Le ventilateur Sentinel Multivent utilise la même technologie que le ventilateur Ambient Response de VentAxia pour régler la vitesse du ventilateur de manière proportionnelle en fonction de la température et de l'humidité relative de l'air extrait tout en évitant une disjonction intempestive la nuit lorsque la température baisse et que l'humidité relative augmente naturellement. Le

ventilateur Sentinel Multivent ne détecte pas simplement les taux d'humidité relative supérieurs à une consigne, car cette méthode peut ne pas être fiable lorsque l'air est extrait de plusieurs pièces, mais il détecte aussi une augmentation rapide du taux d'humidité relative résultant d'activités comme les douches ou la cuisson.

5.12. Le ventilateur Sentinel Multivent peut aussi être commandé par un commutateur sans fil de « Vitesse accélérée » (Boost) (437827), alimentée par piles (option) lorsque la carte PCB (437599/439352) du récepteur sans fil optionnel est connectée à la carte mère. Visser la carte PCB du récepteur sans fil sur la volute à la position indiquée ci-dessus, et la raccorder à la connexion marquée CO₂ sur la carte mère. L'adresse système est initialisée par le commutateur DIP 6 voies sur la carte PCB. L'adresse système doit correspondre à la carte PCB récepteur et à toutes les cartes PCB transmetteurs pour un système. Si plusieurs systèmes se trouvent proches les uns des autres, les adresses système doivent être différentes pour pouvoir identifier quel transmetteur commande quel ventilateur. Les cartes PCB transmetteur ont aussi un commutateur DIP 2 voies pour initialiser l'adresse du transmetteur. On peut utiliser jusqu'à quatre transmetteurs pour commander un ventilateur Sentinel Multivent. L'adresse de chaque transmetteur dans un système doit être différente.

5.13. Si plusieurs accessoires différents demandent au ventilateur de fonctionner à des vitesses différentes, le ventilateur fonctionnera à la vitesse maximum demandée. relative humidity typically generated by such activities as showering or cooking.

6. Mise en service

6.1. Le capot étant mis en place, mettre le ventilateur sous tension. Le ventilateur démarrera et l'écran demandera la langue à utiliser. Utilisez les boutons ▼ et ▲ pour se déplacer entre les options et appuyer sur *Set* lorsque l'option voulue est affichée. Si aucun nouveau paramètre n'est entré, le ventilateur fonctionnera avec les paramètres prédéfinis.

6.2. Le ventilateur Sentinel Multivent exécutera alors une routine rapide en affichant si une carte PCB récepteur sans fil ou une carte PCB humidité relative est détectée.

6.3. Le ventilateur affichera alors son Écran de veille. Il indique la vitesse de fonctionnement du ventilateur (Faible, Normale ou Accélérée (Boost)), et le facteur de charge (par exemple 50%).

6.4. Appuyer et maintenir enfoncés les boutons ▲ et *Set* pendant deux ou trois secondes pour déverrouiller le clavier et lancer le menu.

6.5. Le premier écran dans le menu vous permet d'initialiser la vitesse Accélérée. Régler en utilisant les boutons ▼ et ▲, puis appuyer sur *Set* pour passer à l'écran suivant. Répétez l'opération pour les vitesses Normales et Faibles. La vitesse Normale doit toujours être inférieure à la vitesse Accélérée, et la vitesse Faible doit toujours être inférieure à la vitesse Normale.

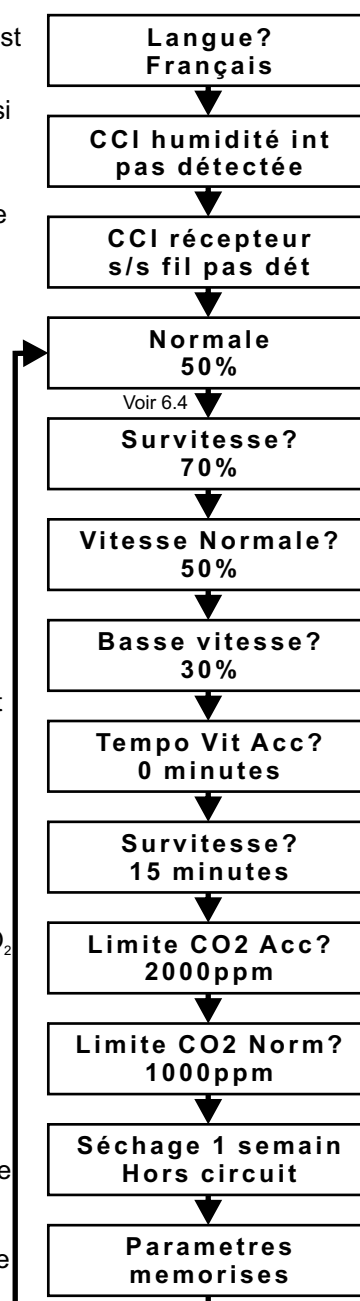
6.6. L'écran vous permet de sélectionner la temporisation du programmeur temporisation vitesse accélérée (Boost)(0 minutes = off). Le programmeur temporisation vitesse accélérée empêchera le ventilateur de passer en vitesse Accélérée tant que la connexion LS n'est pas restée sous tension pendant la durée programmée. Ainsi le ventilateur ne passera pas en vitesse Accélérée lorsqu'on allume la lampe de la salle de bains pendant un court intervalle de temps (par exemple lorsqu'une personne se lave seulement les mains, la vitesse Accélérée n'est pas nécessaire, par exemple), Appuyer sur *Set* pour passer à l'écran suivant.

6.7. Le programmeur de vitesse accélérée peut être réglé entre 0 et 25 minutes. (0 minutes = off). Ce programmeur maintiendra la vitesse Accélérée du ventilateur pendant la durée initialisée, une fois que la connexion LS n'est plus sous tension (après l'ouverture d'un commutateur). Ensuite il reviendra à la vitesse Normale.

6.8. Lorsque le capteur CO₂ extérieur est connecté, les limites maximum et minimum peuvent être réglées dans le menu. La *Limite CO2 Acc* correspond à la teneur en CO₂ à laquelle le ventilateur fonctionnera en vitesse Accélérée (Boost). La *Limite CO2 Norm* est la teneur à laquelle le ventilateur fonctionnera à la vitesse Normale. Si la teneur en CO₂ est compris entre ces deux. Points, le ventilateur fonctionnera à une vitesse comprise entre la vitesse Normale et la vitesse Accélérée. La détection d'un capteur CO₂ peut prendre 40 secondes.

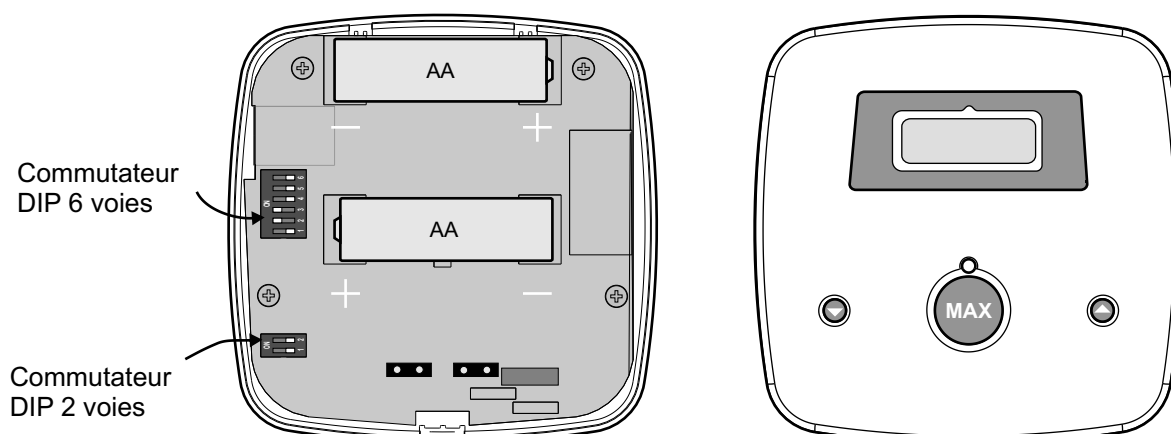
6.9. En lançant la fonction *1 week dry out* feature, le ventilateur Sentinel Multivent fonctionnera à la vitesse accélérée pendant une semaine avant de revenir à la vitesse normale. Ceci peut être utile lorsque le ventilateur Sentinel Multivent est installé dans un appartement venant d'être construit et presque terminé. La ventilation plus forte peut faciliter le séchage du plâtre frais et de la peinture, permettant ainsi aux corps de métiers de se déplacer plus rapidement.

6.10. Appuyer à nouveau sur *Set* pour quitter le menu. Le ventilateur sauvegardera les paramètres de réglage, l'écran de veille sera à nouveau affiché, et le clavier sera verrouillé.



7. Utilisation de l'ensemble optionnel transmetteur sans fil/commutateur vitesse Accélérée (Boost)

7.1. Vérifier que l'adresse système (initialisée par le commutateur DIP 6 voies), sur la carte PCB transmetteur correspond à l'adresse PCB récepteur. L'adresse de chaque transmetteur (initialisée par le commutateur DIP 2 voies), doit être différente si vous avez plusieurs transmetteurs.



7.2. Installer deux piles AA sur le transmetteur. La durée de vie des piles dépendra de leur capacité (mesurée en mAh), du nombre de fois où l'on a appuyé sur les boutons transmetteur, de la durée de fonctionnement en vitesse Accélérée, et de l'utilisation ou non de la connexion LS..

7.3. Le petit voyant au-dessus du bouton "Max" s'allumera lorsqu'on appuie sur un bouton.

7.4. Lorsqu'on appuie sur le bouton "Max", un signal sera envoyé au ventilateur Sentinel Multivent pour lui demander de fonctionner en vitesse Accélérée (Boost) pendant 15 minutes. Si l'on appuie sur les boutons flèches vers le bas et vers le haut, on ajustera la durée de fonctionnement en vitesse Accélérée par intervalles de 5 minutes. L'écran LCD affichera le décompte du temps en minutes. Si plusieurs transmetteurs sans fil demandent la vitesse Accélérée, le ventilateur Sentinel Multivent donnera la priorité à la durée la plus longue demandée. Le ventilateur Sentinel Multivent peut continuer à fonctionner en vitesse Accélérée après l'expiration du temps maximum paramétré dans le programmeur si d'autres accessoires ou commutateurs demandent le fonctionnement en vitesse accélérée.

7.5. Fonction purge : En appuyant et en maintenant enfoncé le bouton "Max" pendant plus de 5 secondes, un signal sera envoyé pour demander au ventilateur Sentinel Multivent de fonctionner à la vitesse maximum pendant 2 heures. La vitesse maximum est probablement supérieure à la vitesse accélérée (Boost) en fonction de la capacité du système installé.

8. Entretien et Maintenance



ATTENTION DANGER : LE VENTILATEUR ET LES ÉQUIPEMENTS DE COMMANDE AUXILIAIRES DOIVENT ÊTRE ISOLÉS DE L'ALIMENTATION ÉLECTRIQUE PENDANT LA MAINTENANCE.

8.1. A une fréquence dépendant de l'installation, le ventilateur doit être inspecté et nettoyé pour qu'il n'y ait pas de dépôt important de poussière ou d'autres impuretés. Pour inspecter l'intérieur du ventilateur, isoler l'alimentation électrique, enlever le capot, déposer l'ensemble volute en déclipant les clips à chaque coin et en le retirant. Si nécessaire, passer l'aspirateur à l'intérieur du ventilateur Sentinel Multivent.

8.2. Le ventilateur utilise des roulements scellés ne nécessitant aucune lubrification pendant leur durée de vie. La durée de vie prévue en service est d'au moins 45 000 heures de fonctionnement continu.

9. Optional Accessories

Carte PCB (437598) unité humidité relative intérieure

Carte PCB (437599/439352) récepteur sans fi

Commutateur sans fil Accélérée (437827)

Ambient Response (563550/563551/563552)

Humidistat Ecotronic (563532)

Capteur PIR (426418)

Commutateur à cordon (370278)

Commutateur Normal / Accélérée (370495)

Commutateur à 3 positions (438045)

Voir la page 23 pour Schéma de câblage



1. Sicherheitshinweise und Richtlinien

- 1.1. Dieses Produkt darf NICHT in Bereichen installiert werden, in denen Folgendes vorliegt oder vorkommen kann:
 - 1.1.1. Übermäßig viel Öl oder eine stark fetthaltige Atmosphäre.
 - 1.1.2. Korrodierende oder entflammbare Gase, Flüssigkeiten oder Dämpfe.
 - 1.1.3. Umgebungstemperaturen über 40°C oder unter -5°C.
 - 1.1.4. Mögliche Hindernisse, die den Zugang zum Lüfter oder sein Ausbauen behindern würden.
- 1.2 Sämtliche Verkabelung muss den einschlägigen IEE-Vorschriften bzw. den in Ihrem Land geltenden Normen entsprechen. Die Verkabelung MUSS von einer entsprechend qualifizierten Person installiert werden.
- 1.3 Der Lüfter ist mit einer allpoligen Trennvorrichtung (ggf. mit 3-A-Sicherung) vom Netz mit einer Kontaktöffnungsweite von mindestens 3 mm pro Pol zu versehen.
- 1.4 Sicherstellen, dass die Netzstromversorgung (Spannung, Frequenz und Phase) dem Typenschild entspricht.
- 1.5 Bei Entlüftung von Räumen mit schornsteinabhängiger Feuerung muß für ausreichende Zuluft gesorgt werden.
- 1.6 Bei Entlüftung von Räumen mit schornsteinabhängiger Feuerung muß das Zurückströmen von Gasen in die Räume durch entsprechende Maßnahmen verhindert werden.
- 1.7 Der Lüfter darf nicht dort eingesetzt werden, wo er wahrscheinlich direktem Spritzwasser ausgesetzt sein wird.
- 1.8 Zum Schutz vor Kondensationsansammlungen ist der Lüfter am höchsten Punkt in der Anlage zu montieren.
- 1.9 Die Abluftrohre des Lüfters müssen nach außen führen.
- 1.10 Dieses Gerät darf von Personen (einschl. Kindern) mit verringerten körperlichen oder geistigen Fähigkeiten oder einem Mangel an Erfahrung oder Wissen nicht benutzt werden, sofern sie nicht von einer für ihre Sicherheit zuständigen Person in Bezug auf die Benutzung des Geräts beaufsichtigt oder unterrichtet wurden.
- 1.11 Kinder dürfen nicht mit dem Gerät spielen und sind daher entsprechend zu beaufsichtigen.
- 1.12 WICHTIGER HINWEIS: Einige älteren Leuchtstoff- und energiesparenden Beleuchtungsprodukte können andere elektronische/Zeitsteuerschaltungen stören. Für den zuverlässigen Betrieb von Zeitschaltern sind im Stromkreis der Raumbeleuchtung Energiesparlampen oder Wolframfilamentlampen nach 2000 zu verwenden.

2. Einleitung

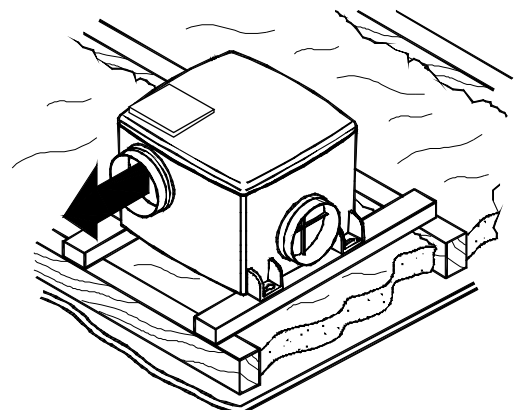
- 2.1. Der Sentinel Multivent ist eine mechanische Sauglüftungseinheit für die gleichzeitige Entlüftung mehrerer Bereiche, wie z.B. Badezimmer, Küchen und Toiletten. Das Gerät ist mit einem Zentrifugal-Motorgebläserad mit nach hinten gekrümmten Flügeln und hohem Wirkungsgrad ausgestattet und für den 24-stündigen Dauerbetrieb ausgelegt.
- 2.2 Der Sentinel Multivent kann mit vielen verschiedenen Zubehörteilen zum Variieren des Lüftungsgrads nach Bedarf verwendet werden, darunter einem eingebauten Feuchtigkeitssensor, Feuchtigkeitssensoren zur unabhängigen Montage in Räumen, drahtlose (Funk-)Empfänger und drahtlose Boost-Schalter, CO₂-Sensor, Handschalter und Zugschalter. Eine Liste der Ersatzteile und Zubehörartikel ist auf Seite 22 zu finden.
- 2.3 Drei Lüfterstufen (Low (untere Stufe), Normal und Boost (Höchststufe)) können jeweils einzeln auf 10 % bis 100 % der Lüftergeschwindigkeit eingestellt werden. Das Produkt läuft mit normaler Geschwindigkeit, bis die Eingabe von einem Zubehör einen Wechsel auf die untere oder die Höchststufe veranlasst.

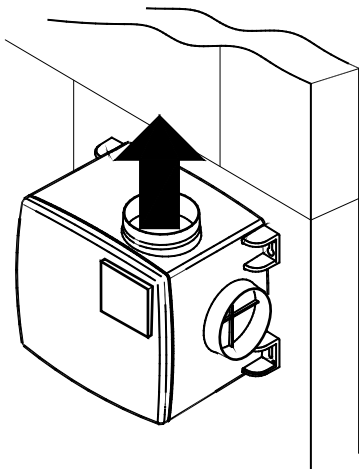
3. Positionierung

3.1. Positionieren Sie den Sentinel Multivent. Berücksichtigen Sie dabei die Lage der zu be-/entlüftenden Räume, die Position der Auslassöffnung und der elektrischen Anschlüsse. Stellen Sie sicher, dass für Installation und Wartung genügend Platz zur Verfügung steht. Befestigen Sie den Sentinel Multivent über die Befestigungslöcher im Gehäuse. Verwenden Sie dazu die passende(n) schwingungsdämpfende(n) Halterungen bzw. Schalldämmmatte, Schrauben, Unterlegscheiben, Gummimuffen usw.

3.2 Der Sentinel Multivent bietet drei Einbaumöglichkeiten:

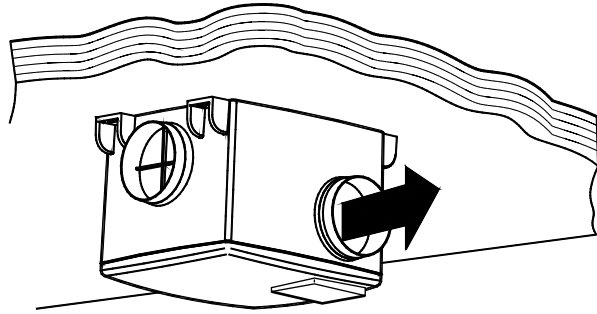
- 3.2.1 Montage auf der Lüfterbasis, wobei die Luftrohrleitungen horizontal strahlenförmig verlaufen



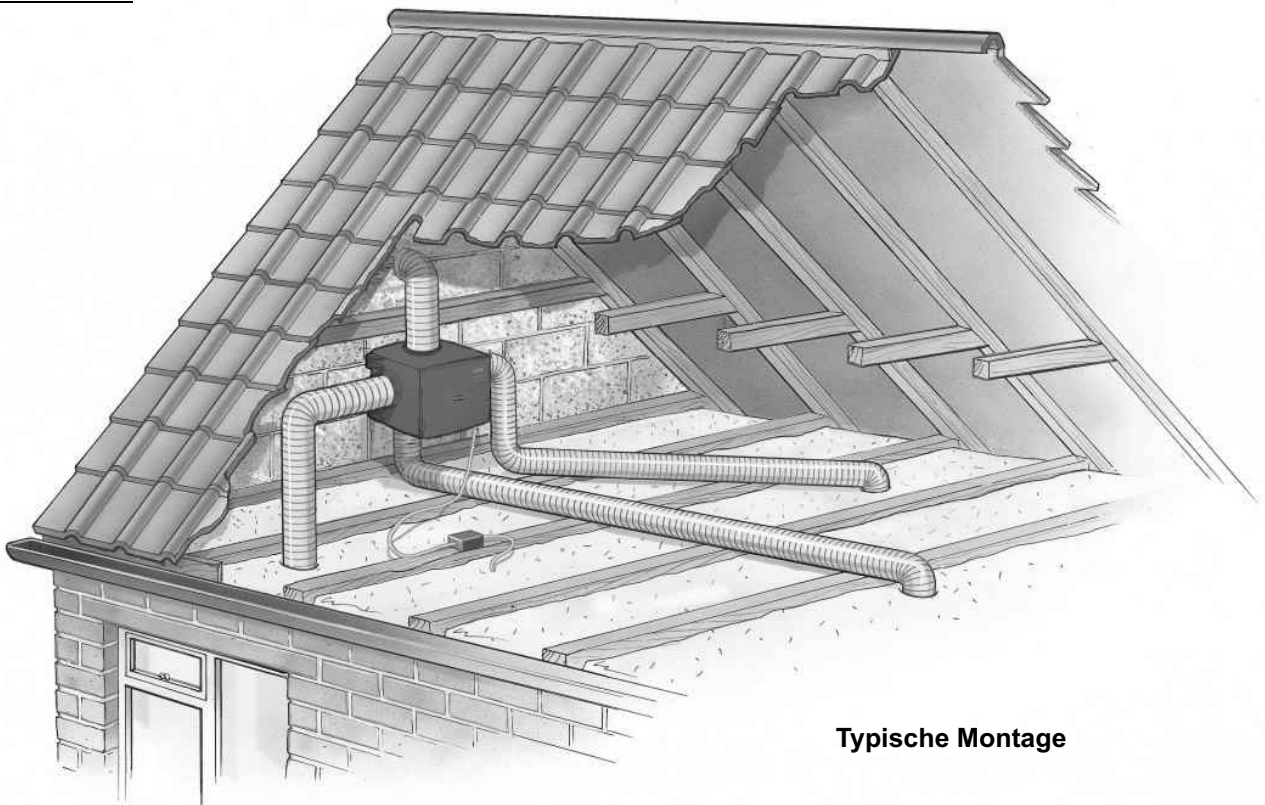


3.2.2. Vertikale Montage, wobei sich der Abluftstutzen oben befindet. Die elektrischen Verbindungen müssen am unteren Ende des Geräts austreten, damit sein Schutz gegen das Eindringen von Wasser nicht beeinträchtigt wird.

3.2.3. Hängemontage (Deckenmontage), wobei die Rohrleitungen horizontal strahlenförmig verlaufen.



4. Installation



Typische Montage

4.1. Gehen Sie wie folgt vor, um den Systemwiderstand in ihrem Luftleitungssystem zu senken und dadurch die Lüftergeschwindigkeit, den Stromverbrauch und die Lüftergeräusche zu verringern:

4.1.1. Halten Sie die Luftleitungsstrecken so kurz wie möglich, insbesondere die Abluftleitung.

4.1.2. Verwenden Sie lieber Luftleitungen mit größerem Durchmesser als mit kleinerem.

4.1.3. Müssen Luftschläuche verwendet werden, dann ist darauf zu achten, dass sie ganz gestreckt sind. Sie dürfen nicht eingedrückt sein, nicht durchhängen und keine Risse aufweisen.

4.1.4. Wenn die Luftleitungsstrecken zu den Einlässen ziemlich gleich lang sind, lässt sich der Einsatz von Dämpfern minimal halten.

4.1.5. Der Biegeradius (zur Innenseite der Biegung gemessen) muss mindestens so lang wie der Leitungsdurchmesser sein; je größer er ist, desto besser.

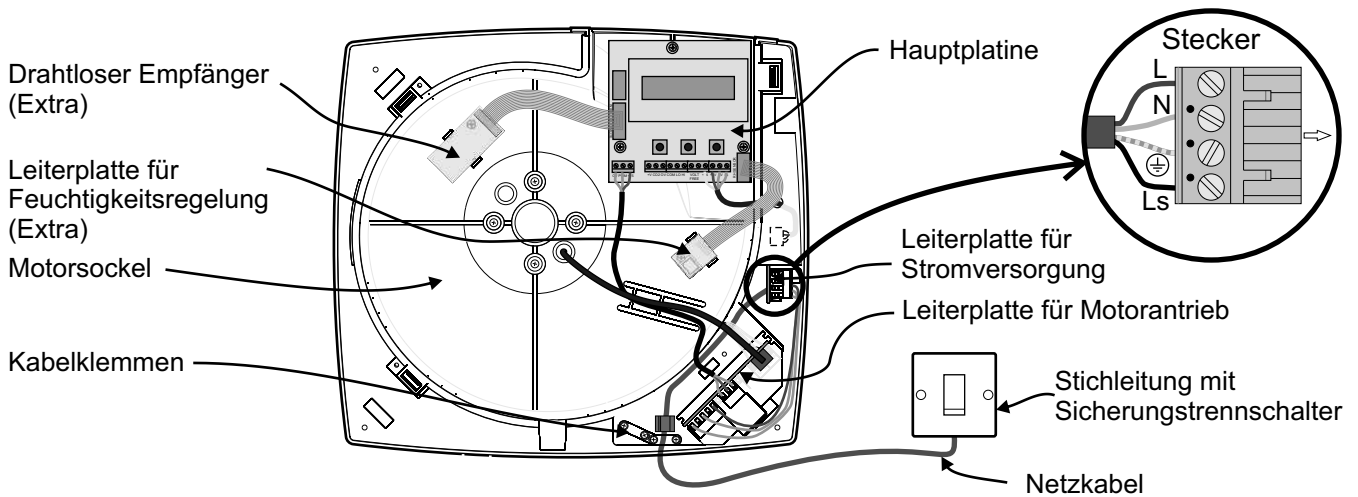
4.1.6. Die Leitungen dürfen innerhalb von 250 mm von den Lüftereinlässen und dem Lüfterauslass keine Biegungen, Filter oder sonstigen Hindernisse aufweisen.

4.2. Markieren Sie die Befestigungspositionen und bohren Sie die Löcher. Verwenden Sie ggf. Dübel. Schrauben Sie das Lüftergehäuse an.

4.3. Luftleitungen, die durch ungeheizte Räume verlaufen, sind zu isolieren. Der Sentinel Multivent kann an Luftrohrleitungen mit 125 mm oder mit 100 mm Durchmesser angeschlossen werden. Zum Anschließen an eine Luftleitung mit 125 mm Durchmesser entfernen Sie die Verschlusskappe. Zum Anschließen an eine Luftleitung mit 100 mm Durchmesser entfernen Sie die Mitte der Kappe mit einem Schraubenzieher, wie auf der Kappe dargestellt. Der Kappenrand muss in seiner Lage bleiben. Zum Anschließen einer Luftleitung am bodenseitigen Anschluss entfernen Sie die runden Schaumstoffstücke und bringen die beiliegende Kappe im Loch an. Befestigen Sie die Luftleitungen mit Schneckengewindeschellen, Kabelbindern oder Sanitärklebeband sicher an den Stützen

5. Verkabelung des Sentinel Multivent

5.1. Lösen Sie die vier Schrauben der Abdeckung und ziehen Sie die Abdeckung ab.



5.2. Schalten Sie die Stromversorgung ab. Schließen Sie ein geeignetes Netzkabel von einer Stickleitung mit Sicherungstrennschalter an die Stromversorgungs-Leiterplatte an. Hierfür ist ein Stecker zu gefälligen Benutzung vorgesehen. Entfernen Sie ihn von der Stromversorgungs-Leiterplatte und schließen Sie das Netzkabel an seinen Klemmen an. Stecken Sie ihn dann wieder in die Stromversorgungs-Leiterplatte. Befestigen Sie das Kabel mit den Kabelklemmen und dem Clips.

5.3 Wenn der Lüfter beim Einschalten des Lichts auf seine Höchststufe (Boost) geschaltet werden soll, ist die geschaltete stromführende Verbindung vom Beleuchtungsstromkreis am LS-Anschluss auf der Stromversorgungs-Leiterplatte anzuschließen. Bei der Inbetriebnahme des Geräts können mittels Tasten und Bildschirm über die Software eine Einschaltverzögerung und eine Nachlaufzeit gewählt und eingestellt werden. Nähere Angaben siehe „Inbetriebnahme“ auf Seite 21.

5.4 Anstatt an einen Beleuchtungsstromkreis kann der geschaltete stromführende Ausgang (230 V) von einem anderen Schalter oder Steuergerät (z.B. einem einfachen Zug- oder Druckknopfschalter, einem Humidistat oder einem PIR-Detektor) an die LS-Klemme angeschlossen werden.

5.5 Wichtig: Verwenden Sie für Zubehör vieradriges verdrehtes (Twisted-Pair-) Niederspannungs-Fernmeldekabel (Vent-Axia Teil-Nr. 459931). Schließen Sie alle beliebigen Ausgänge von Zubehör/Steuerungen, die Sie benutzen wollen, am Klemmenblock auf der Hauptplatine an. Verwenden Sie die dafür vorgesehene Kabelklemme. Entfernen Sie den Ausbruch aus der Abdeckung. Die Anschlüsse für Zubehör auf der Hauptplatine werden von einer SELV-Stromversorgung (SELV: Sicherheits-Kleinspannung) mit Strom versorgt.

5.6 Steuergeräte/Controller oder Schalter, die ein spannungsfreies Relais schalten, können an die spannungsfreien Klemmen auf der Hauptplatine angeschlossen werden. Wenn der Stromkreis zwischen zwei Klemmen geschlossen wird (z.B. wenn ein angeschlossener Schalter in Ein- oder Aus-Stellung ist), schaltet der Lüfter auf seine Höchststufe (Boost). Beim spannungsfreien Anschluss gibt es keine Zeitschalter für Einschaltverzögerung oder Nachlauf, da das Steuergerät bestimmen sollte, wann der Lüfter auf Höchst- (Boost) oder Normalstufe läuft. Für einen Zeitschalter verwenden Sie den oben beschriebenen LS-Anschluss.

5.7 An die spannungsfreien Klemmen können mehrere Steuergeräte/Controller oder Schalter angeschlossen werden, sofern sie parallelgeschaltet sind und die Kabel nicht lang sind.

5.8 Das Zwischenschalten eines Schalters/Relais zwischen den Klemmen Com und Hi hat die gleiche Wirkung wie der Anschluss an die spannungsfreien Anschlüsse.

5.9 Die Klemmen Lo, Hi und Com können zum Anschließen eines Dreiwegschalters verwendet werden. Schließen Sie Com an die Masseklemme (Common) des Schalters an, Lo an Lo, Low oder Position 1 und Hi an Hi, High, Boost oder Position 3. Es wird kein Anschluss an Normal oder Position 2 benötigt. Wenn die Klemmen Lo oder Hi auf der Hauptplatine nicht stromführend sind, schaltet der Lüfter auf Normalstufe.

5.10 Ein wandmontierter CO₂-Sensor (433257) kann an die 24 V, 0 V und 10 V-Klemmen angeschlossen werden. Der CO₂-Sensor meldet dem Sentinel Multivent den CO₂-Pegel in ppm (Teile pro Million) und der Lüfter stellt seine Geschwindigkeit entsprechend ein. Wenn der CO₂-Pegel unter dem unteren Schwellenwert liegt (über die Software einstellbar), läuft der Lüfter mit normaler Geschwindigkeit. Wenn der CO₂-Pegel über dem oberen Schwellenwert liegt (ebenfalls über die Software einstellbar), läuft der Lüfter mit seiner hohen Boost-Geschwindigkeit. Wenn der CO₂-Pegel zwischen dem unteren und dem oberen Schwellenwert liegt, läuft der Lüfter mit einer Geschwindigkeit zwischen Normal- und Höchststufe, die proportional zur Differenz zwischen dem CO₂-Pegel und den Schwellenwerten ist.

5.11 Auf Wunsch kann eine Feuchtigkeitssensor-Leiterplatte (437598) erworben und angeschlossen werden. Zu diesem Zweck entfernen Sie das kleine weiße Etikett von der quadratischen Öffnung im Sockel. Stecken Sie den Stecker am Ende des Bandkabels in den mit RH bezeichneten Anschluss auf der Hauptplatine. Schrauben Sie die Leiterplatte an der oben angedeuteten Stelle auf dem Sockel fest, so dass der kleine Chip auf der Leiterplatte in die

quadratische Öffnung weist. Der Sentinel Multivent verwendet Technologie, die dem des Ambient Response-Humidistats von Vent-Axia ähnelt, um die Lüftergeschwindigkeit je nach der Temperatur und der relativen Luftfeuchtigkeit in der abgesaugten Luft verhältnismäßig anzupassen, ohne dass der Lüfter nachts, wenn die Temperatur fällt und die relative Luftfeuchtigkeit natürlich zunimmt, unerwünscht eingeschaltet wird. Der Sentinel Multivent berücksichtigt nicht nur relative Feuchtigkeitsgrade über einem Sollwert, was in Produkten, die mehrere Räume entlüften, unzuverlässig sein kann, sondern berücksichtigt auch einen raschen Anstieg der relativen Feuchtigkeit, wie er bei Tätigkeiten wie z.B. Duschen oder Kochen typisch ist.

5.12 Der Multivent kann auch von einem auf Wunsch lieferbaren batteriebetriebenen drahtlosen Boost-Schalter (437827) gesteuert werden, wenn die Funkempfänger-Leiterplatte (437599/439352) (ebenfalls auf Wunsch lieferbar) an die Hauptplatine angeschlossen ist. Schrauben Sie die Funkempfänger-Leiterplatte in der oben gezeigten Position auf dem Sockel fest und schließen Sie sie an dem mit CO₂ markierten Hauptplattenanschluss an. Die Systemadresse wird über den 6-poligen DIP-Schalter auf den Leiterplatten eingestellt. Sie muss für die Empfänger-Leiterplatte und alle Sender-Leiterplatten in einem System jeweils gleich sein. Wenn sich mehrere Systeme in großer Nähe zueinander befinden, müssen die Systemadressen der einzelnen Systeme verschieden sein, damit unterschieden werden kann, welche Sender welche Lüfter steuern. Die Sender-Leiterplatten haben außerdem auch einen zweipoligen DIP-Schalter zum Einstellen der Senderadresse. Ein Sentinel Multivent kann jeweils mit bis zu vier Sendern gesteuert werden. Die Senderadresse muss für jeden Sender in einem System verschieden sein.

5.13 Wenn eine Anzahl verschiedener Zubehörteile verschiedene Lüftergeschwindigkeiten verlangen, läuft der Lüfter mit der schnellsten angeforderten Geschwindigkeit

6. Inbetriebnahme

6.1 Bei aufgesetzter Abdeckung die Stromzufuhr des Geräts einschalten. Der Lüfter beginnt zu laufen und der Bildschirm fragt, welche Sprache Sie wünschen. Fahren Sie mit der Taste ▼ bzw. ▲ durch die möglichen Sprachen und drücken Sie **Set** (Einstellen), wenn die gewünschte Sprache angezeigt wird. Wenn keine neuen Einstellungen eingegeben werden, wird das Gerät mit den voreingestellten Einstellungen betrieben.

6.2 Der Multivent durchläuft dann eine Routine und zeigt an, ob er eine Funkempfänger-Leiterplatte oder eine Luftfeuchtigkeits-Leiterplatte gefunden hat oder nicht.

6.3 Das Gerät zeigt dann seinen Ruhebildschirm an, der die Geschwindigkeitsstufe des Lüfters (untere Stufe (Low), Normal oder Höchststufe (Boost)) und seinen Auslastungsgrad (z.B. 50 %) anzeigt.

6.4 Die Tasten ▲ und Set zwei bis drei Sekunden lang drücken, um das Tastenfeld zu entsperren und das Menü aufzurufen.

6.5 Der erste Bildschirm im Menü erlaubt Ihnen die Einstellung der Boost-Stufe (Höchststufe). Ändern Sie die Einstellung mit der Taste ▼ bzw. ▲, drücken Sie dann **Set**, um zum nächsten Bildschirm vorzurücken. Wiederholen Sie diesen Vorgang für die normale und die untere (Low) Lüfterstufe. Es ist zu beachten, dass die Einstellung der normalen Stufe immer niedriger sein muss als die der Boost-Stufe und die der unteren (Low) Stufe immer niedriger als die der normalen Stufe sein muss.

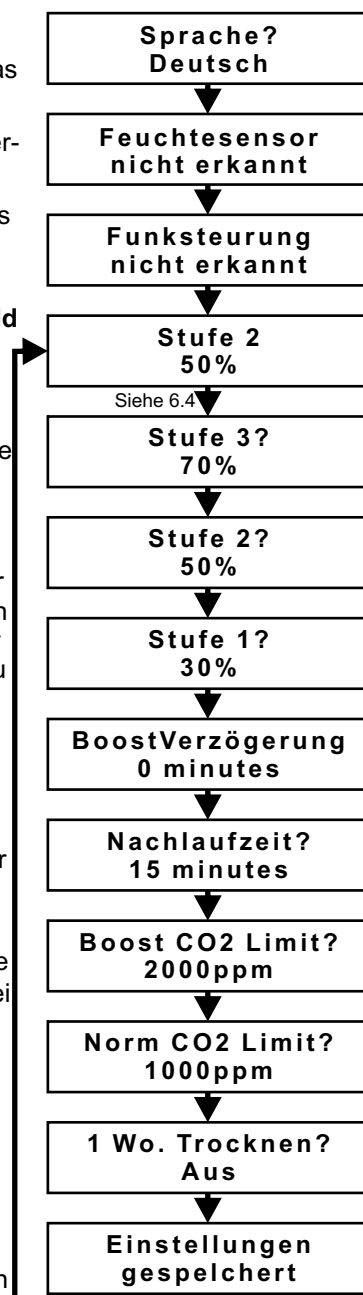
6.6 Über den Bildschirm können Sie die Verzögerung eines Boost-Verzögerungs-Timer einstellen (0 Minuten = aus). Der Boost-Verzögerungs-Timer verzögert das Umschalten des Lüfters auf die Höchststufe, bis die LS-Verbindung für die einprogrammierte Dauer stromführend war. Dies kann nützlich sein, um ein Einschalten der Lüfterhöchststufe zu verhindern, wenn das Licht im Badezimmer nur kurzfristig eingeschaltet wurde (z.B. wenn sich jemand nur die Hände wäscht und die Lüfterhöchststufe nicht erforderlich ist). Drücken Sie **Set** zum Umschalten auf den nächsten Bildschirm.

6.7 Der Nachlaufzeitschalter kann auf eine Dauer zwischen 0 und 25 Minuten eingestellt werden (0 Minuten = aus). Dieser Zeitschalter lässt den Lüfter für die eingestellte Dauer auf Höchststufe weiterlaufen, wenn die LS-Leitung schon nicht mehr stromführend ist (nach Ausschalten eines Schalters). Anschließend wird der Lüfter wieder auf seine normale Stufe umgeschaltet.

6.8 Wenn der externe CO₂-Sensor angeschlossen ist, können der obere und der untere Schwellenwert im Menü eingestellt werden. Das *Boost CO₂ Limit* ist der CO₂-Pegel, bei dem der Lüfter mit Höchststufe läuft. Das *Norm CO₂ Limit* ist der Pegel, bei dem der Lüfter mit normaler Geschwindigkeit läuft. Wenn der CO₂-Pegel zwischen diesen zwei Punkten liegt, läuft der Lüfter mit einer Geschwindigkeit zwischen Normal- und Höchststufe. Es kann bis zu 40 Sekunden dauern, bevor ein CO₂-Sensor erkannt wird.

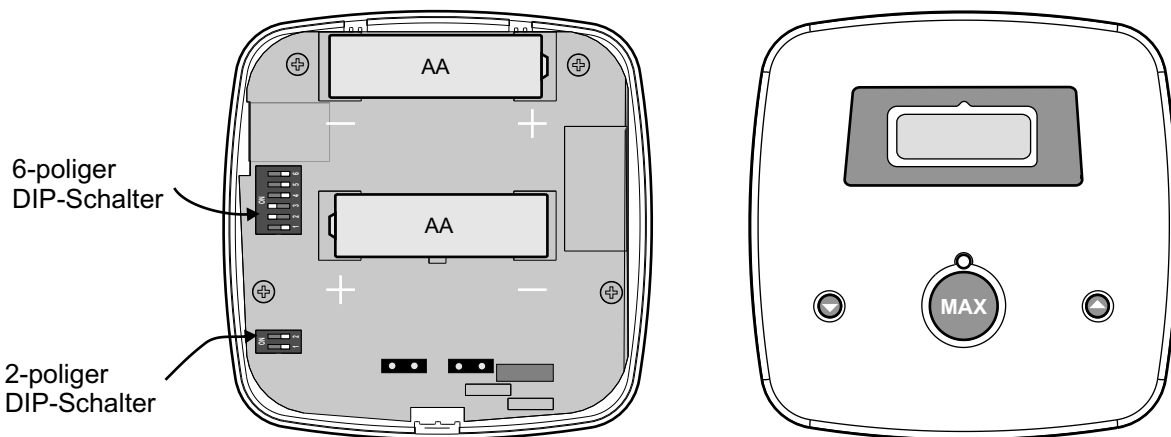
6.9 Das Einschalten des Trocknungsbetriebs (*1 Woche Trocknen*) bewirkt, dass der Multivent eine Woche lang auf Höchststufe läuft, bevor er wieder auf Normalbetrieb umschaltet. Diese Funktion ist nützlich, wenn der Sentinel Multivent in einem fast fertiggestellten Neubau installiert wird. Die stärkere Lüftung kann zum besseren Trocknen von Innenverputz und Anstrich beitragen, so dass dann auch andere Arbeiten schneller erledigt werden können.

6.10 Drücken Sie wieder **Set**, um das Menü zu verlassen. Das Gerät speichert die Einstellungen, kehrt zum



7. Einsatz des wahlweisen drahtlosen Senders/Boost-Schalters

7.1. Stellen Sie sicher, dass die Systemadresse (am 6-poligen DIP-Schalter eingestellt) auf der Sender-Leiterplatte mit der auf der Empfänger-Leiterplatte übereinstimmt. Die Senderadresse an jedem Sender (am 2-poligen DIP-Schalter eingestellt) muss jeweils verschieden sein, wenn Sie mehr als einen Sender haben.



7.2. Bringen Sie die zwei AA-Batterien am Sender an. Die Batterielebensdauer hängt von der Batteriekapazität (in mAh) und davon ab, wie oft die Sendertasten gedrückt werden, wie lang die Boost-Intervalle sind und ob die LS-Verbindung benutzt wird oder nicht.

7.3 Die kleine Leuchte über der Taste „Max“ leuchtet, wenn eine Taste gedrückt wird.

7.4 Drücken der Taste „Max“ sendet ein Funksignal an den Sentinel Multivent und veranlasst, dass er 15 Minuten lang auf Höchststufe läuft. Durch Drücken der Ab- und Auf-Tasten wird die Nachlaufzeit in 5-Minuten-Schritten verstellt. Auf der Leuchtkristallanzeige läuft die Zeit in Minutenschritten ab. Wenn mehr als ein drahtloser Sender die Höchststufe verlangt, gibt der Sentinel Multivent der längsten geforderten Nachlaufzeit den Vorrang. Es kann sein, dass der Sentinel Multivent nach Ablauf der Nachlaufzeit noch weiter auf Höchststufe läuft, wenn ein anderes Zubehör oder ein anderer Schalter die Höchstgeschwindigkeit verlangt.

7.5 Spülfunktion: Wenn die Taste „Max“ länger als 5 Sekunden gedrückt wird, sendet dies ein Signal an den Sentinel Multivent, auf das hin er zwei Stunden lang mit maximaler Geschwindigkeit läuft. Die maximale Geschwindigkeit ist wahrscheinlich höher als die Boost-Geschwindigkeit der Höchststufe, je nach der Größe des installierten Systems.

8. Reparatur und Wartung



ACHTUNG! LÜFTER UND STEUER-/BEDIENZUBEHÖR MÜSSEN WÄHREND DER WARTUNG VON DER STROMVERSORGUNG ISOLIERT (SPANNUNGSFREI) SEIN.

8.1. Der Lüfter ist in dem Einbauort entsprechenden Abständen zu überprüfen und zu reinigen. Dadurch wird sichergestellt, dass sich keine Schmutz- und sonstigen Ablagerungen ansammeln. Um das Innere des Geräts zu untersuchen, ist die Abdeckung zu entfernen und dann die Sockelbaugruppe abzuziehen, nachdem die Klammern in jeder Ecke der Baugruppe gelöst wurden. Reinigen Sie, falls erforderlich, das Innere des Sentinel Multivent mit einem Staubsauger.

8.2 Der Lüfter hat gekapselte Lager, die nicht geschmiert zu werden brauchen. Ihre erwartete Nutzlebensdauer beträgt mindestens 45.000 Stunden Dauerbetrieb

9. Zubehör (gegen Aufpreis)

Interne Leiterplatte für relative Feuchtigkeit (437598)

Funkempfänger-Leiterplatte (437599/439352)

Drahtloser Boost-Schalter (437827)

Ambient Response-Humidistat (563550/563551/563552)

Ecotronic-Humidistat (563532)

PIR-Sensor (426418)

Zugschalter (370278)

Normal-/Boost-Schalter (370495)

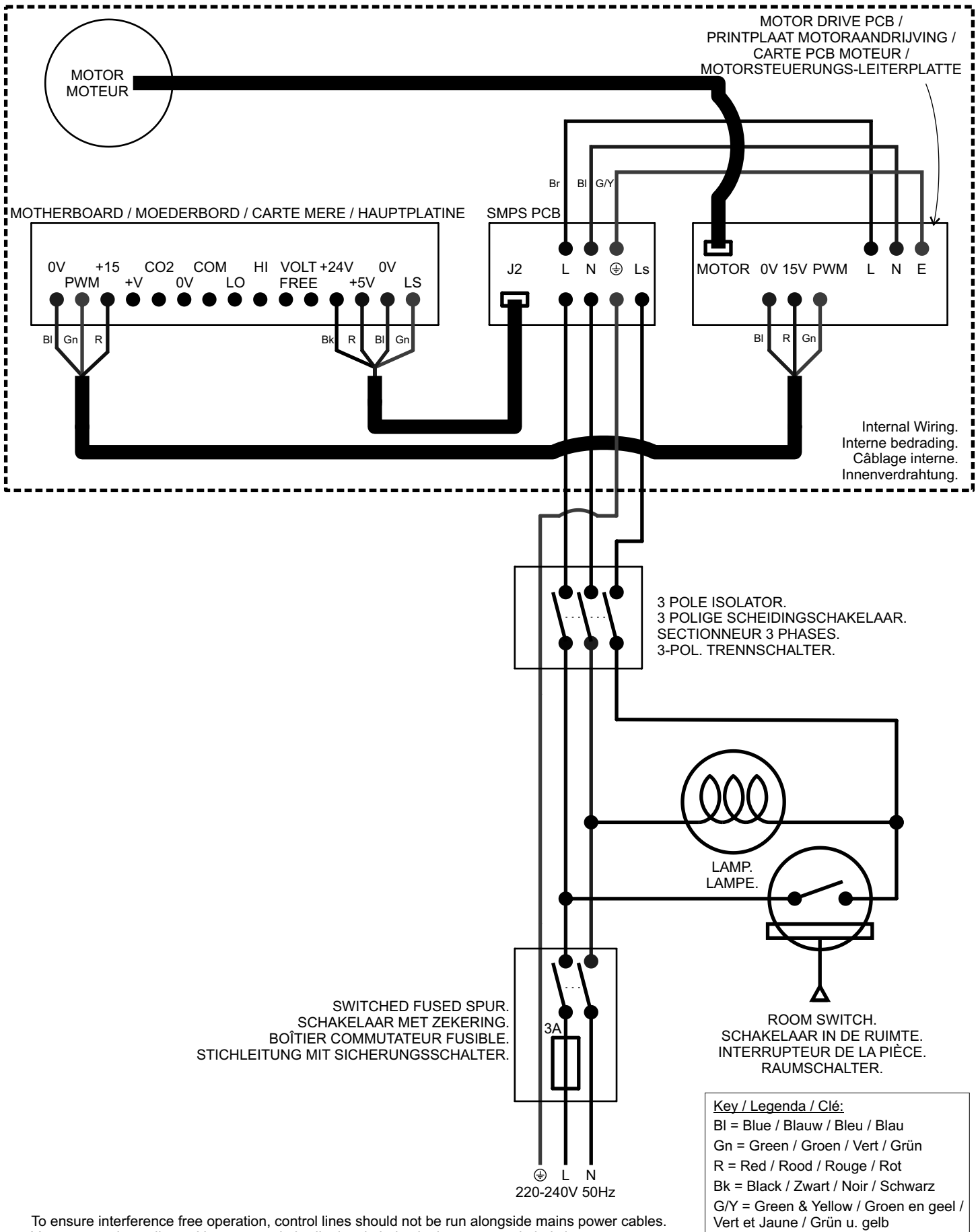
Dreiwegschalter (438045)

10.1. Wiring Diagram - Connection to light circuit.

10.1. Bedradingsschema - Aansluiting op verlichtingsstroomkring.

10.1. Schéma de câblage - Connexion au circuit d'éclairage.

10.1. Schaltplan - Anschluss an Beleuchtungsstromkreis.



To ensure interference free operation, control lines should not be run alongside mains power cables.

Voor een storingsvrije werking mogen de bedieningskabels niet langs stroomkabels lopen.

Pour assurer un fonctionnement sans interférence, on ne doit pas faire passer les lignes de commandes à côté des câbles d'alimentation principale.

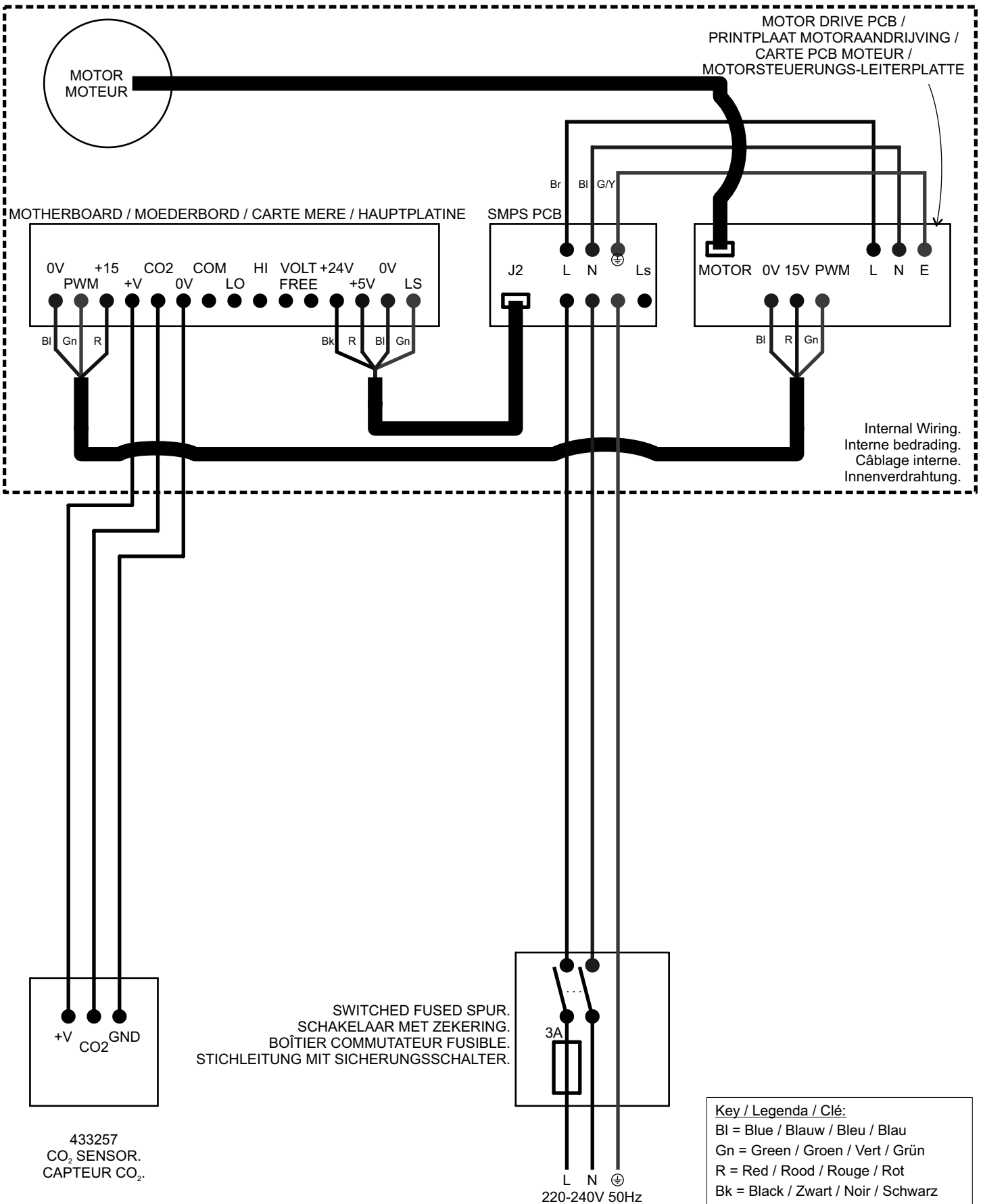
Um einen störungsfreien Betrieb der Anlage sicherzustellen, dürfen Steuerleitungen nicht neben Netzkabeln verlegt werden.

10.2. Wiring Diagram - Connection to CO₂ sensor.

10.2. Bedradingsschema - aansluiting op CO₂-sensor.

10.2. Schéma de câblage - Connexion au capteur CO₂.

10.2. Schaltplan - Anschluss an CO₂-Sensor.



To ensure interference free operation, control lines should not be run alongside mains power cables.

Voor een storingsvrije werking mogen de bedieningskabels niet langs stroomkabels lopen.

Pour assurer un fonctionnement sans interférence, on ne doit pas faire passer les lignes de commandes à côté des câbles d'alimentation principale.

Um einen störungsfreien Betrieb der Anlage sicherzustellen, dürfen Steuerleitungen nicht neben Netzkabeln verlegt werden.

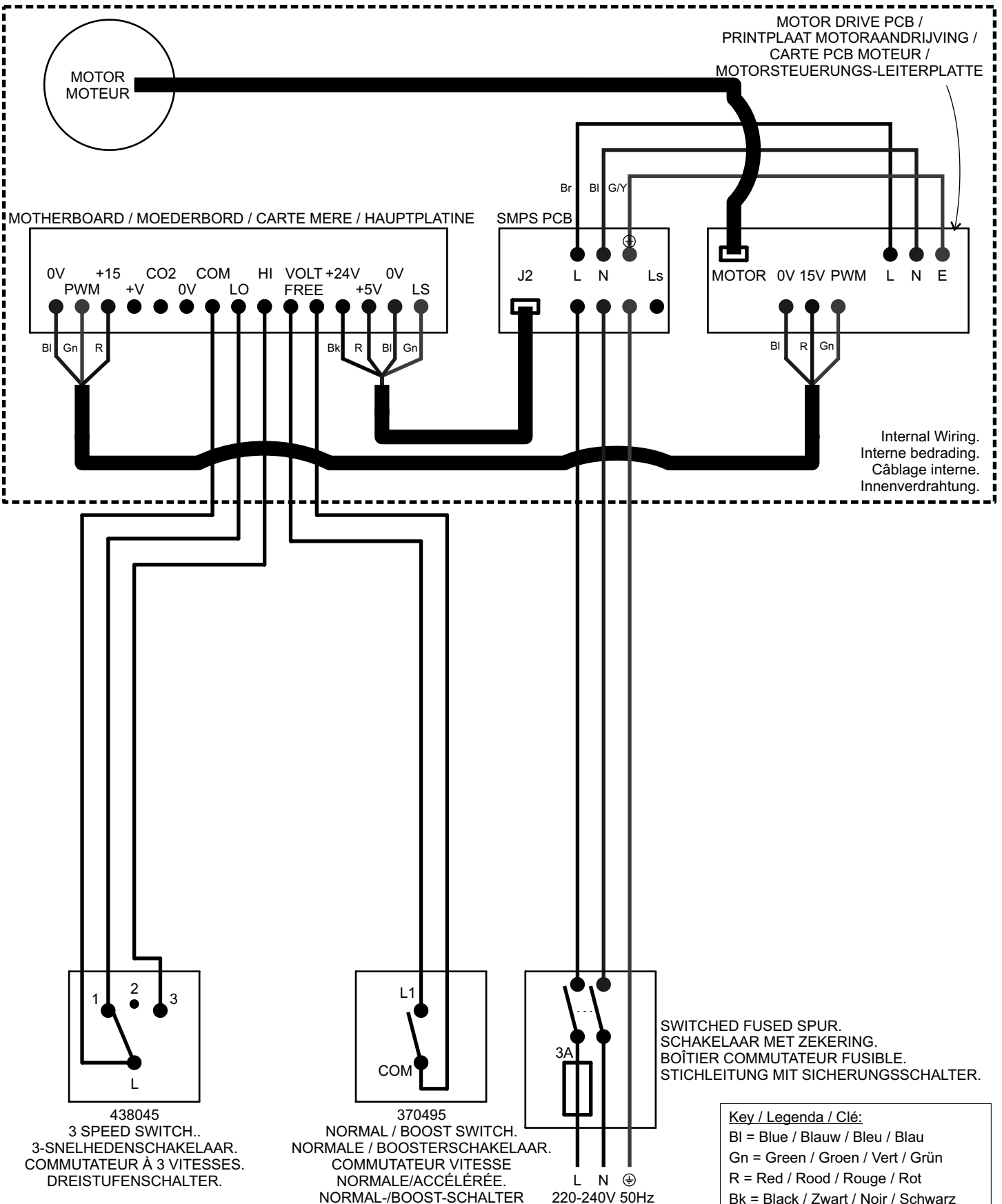
10.3.Wiring Diagram - Connection to 3 Speed Switch and a Normal/Boost Switch

10.3.Bedragingsschema - Aansluiting op 3-snelhedenschakelaar en een normale/boosterschakelaar

10.3.Schéma de câblage - Connexion à un commutateur à 3 vitesses et à un commutateur

Vitesse Normale/ Accélérée (Boost)

10.3.Schaltplan - Anschluss an Dreistufenschalter und einen Normal/Boost-Schalter.



To ensure interference free operation, control lines should not be run alongside mains power cables.

Voor een storingsvrije werking mogen de bedieningskabels niet langs stroomkabels lopen.

Pour assurer un fonctionnement sans interférence, on ne doit pas faire passer les lignes de commandes à côté des câbles d'alimentation. principale.

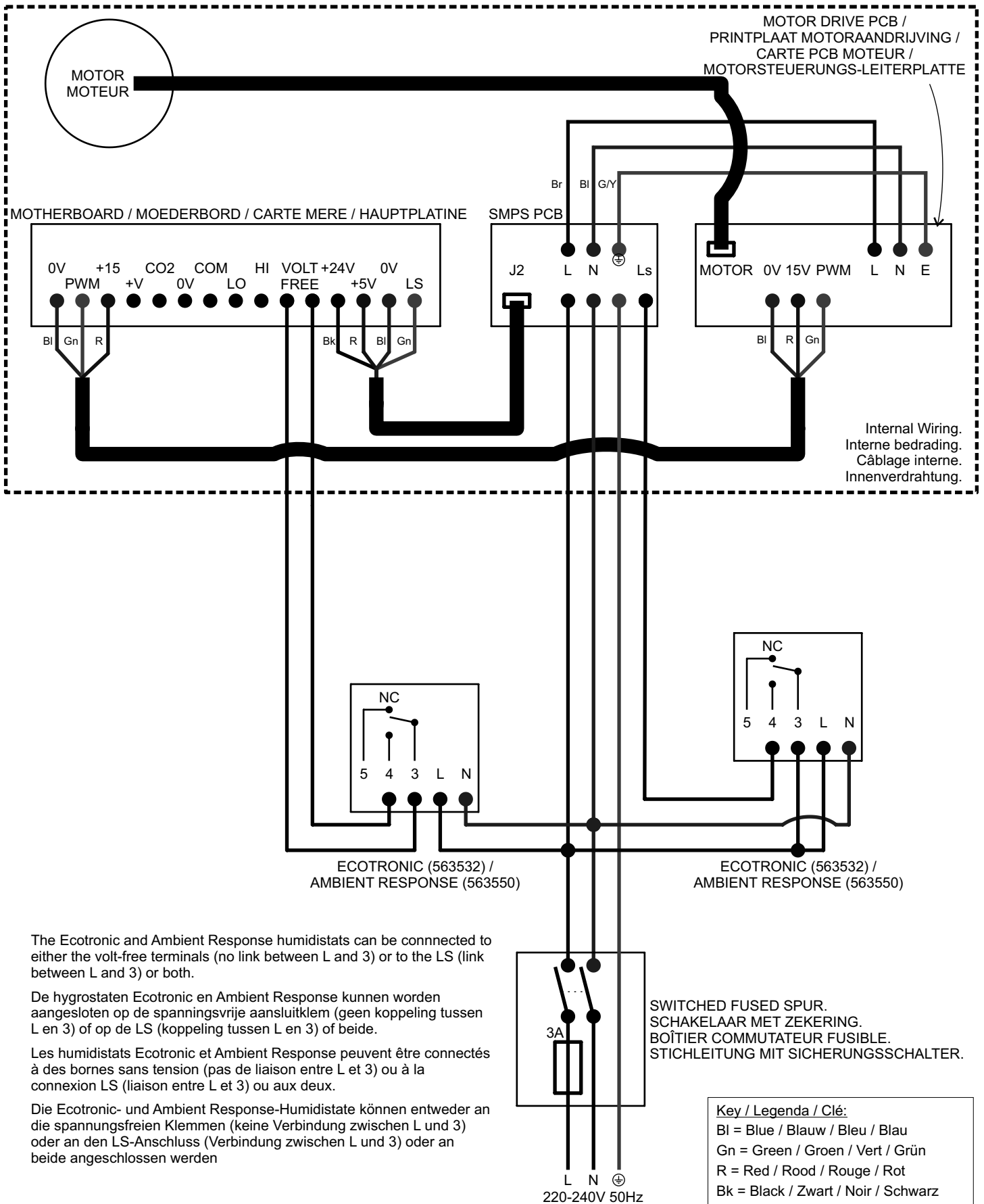
Um einen störungsfreien Betrieb der Anlage sicherzustellen, dürfen Steuerleitungen nicht neben Netzkabeln verlegt werden.

10.4. Wiring Diagram - Humidistats connected to Volt-Free and LS.

10.4. Bedradingsschema - Hygrostaten aangesloten op spanningsvrij en LS.

10.4. Schéma de câblage - Humidistats connectés à des connexions Sans tension et LS.

10.4. Schaltplan - an spannungsfreien und LS-Anschluss angeschlossene Humidistate.



The Ecotronic and Ambient Response humidistats can be connected to either the volt-free terminals (no link between L and 3) or to the LS (link between L and 3) or both.

De hygrostaten Ecotronic en Ambient Response kunnen worden aangesloten op de spanningsvrije aansluitklem (geen koppeling tussen L en 3) of op de LS (koppeling tussen L en 3) of beide.

Les humidistats Ecotronic et Ambient Response peuvent être connectés à des bornes sans tension (pas de liaison entre L et 3) ou à la connexion LS (liaison entre L et 3) ou aux deux.

Die Ecotronic- und Ambient Response-Humidistate können entweder an die spannungsfreien Klemmen (keine Verbindung zwischen L und 3) oder an den LS-Anschluss (Verbindung zwischen L und 3) oder an beide angeschlossen werden

To ensure interference free operation, control lines should not be run alongside mains power cables.

Voor een storingsvrije werking mogen de bedieningskabels niet langs stroomkabels lopen.

Pour assurer un fonctionnement sans interférence, on ne doit pas faire passer les lignes de commandes à côté des câbles d'alimentation. principale.

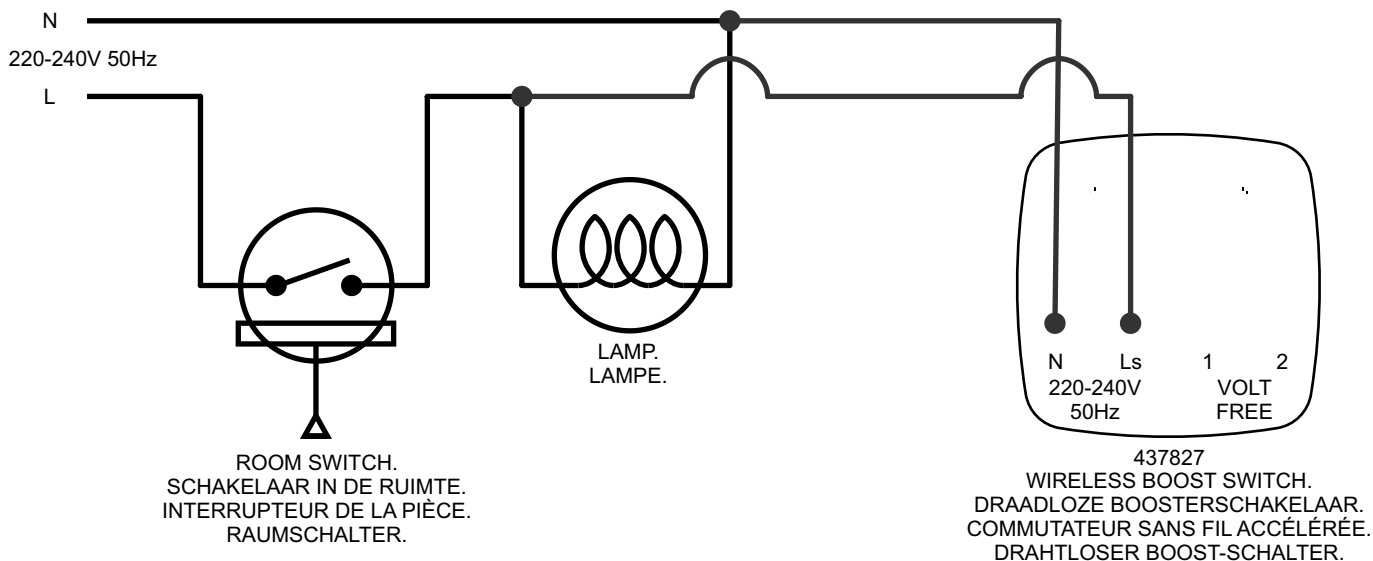
Um einen störungsfreien Betrieb der Anlage sicherzustellen, dürfen Steuerleitungen nicht neben Netzkabeln verlegt werden.

10.5. Wiring Diagram - Connection to Wireless Boost Switch.

10.5. Bedradingsschema - Aansluiting op Draadloze Boosterschakelaar.

10.5. Schéma de câblage - Connexion au Commutateur sans fil Accélérée.

10.5. Schaltplan - Anschluss an Drahtloser Boost-Schalter.

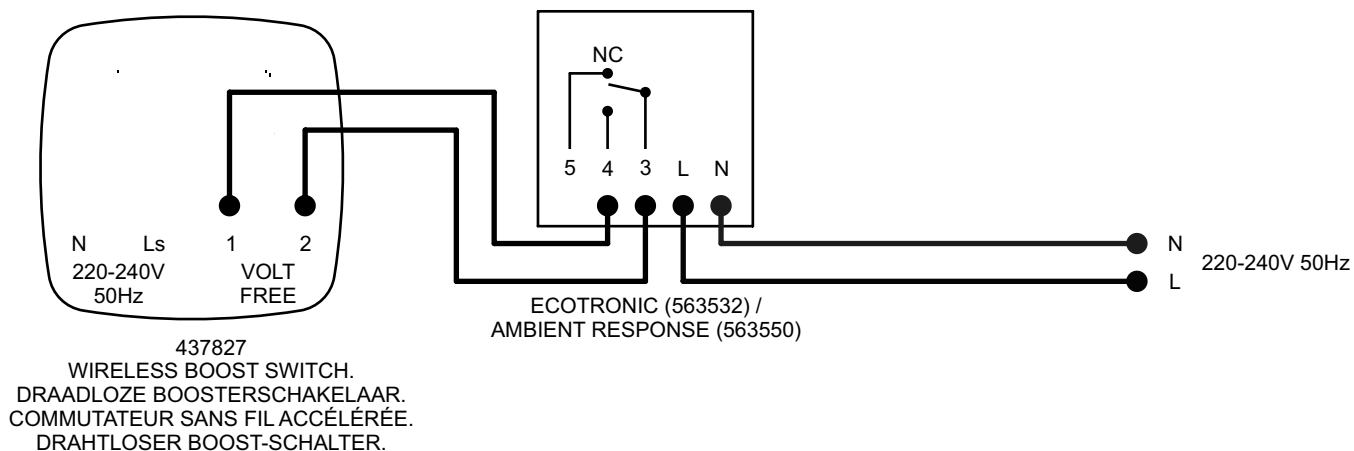


10.6. Wiring Diagram - Connection to Wireless Boost Switch.

10.6. Bedradingsschema - Aansluiting op Draadloze Boosterschakelaar.

10.6. Schéma de câblage - Connexion au Commutateur sans fil Accélérée.

10.6. Schaltplan - Anschluss an Drahtloser Boost-Schalter.



This product should not be disposed of with household waste. Please recycle where facilities exist. Check with your local authority for recycling advice.

Dit product mag niet worden afgevoerd met huishoudelijk afval. Recyclen indien mogelijk. Vraag uw gemeente om informatie over recycling.

Ce ventilateur ne doit pas être jeté avec des déchets ménagers. Le recycler lorsqu'il existe des installations pour cela. Demander conseil à la municipalité pour le recyclage.

Dieses Produkt darf nicht im Haushaltsmüll entsorgt werden. Es ist aber möglichst dem Recycling zuzuführen. Entsorgungsinformationen erfragen Sie bitte bei Ihrer Gemeindeverwaltung.

**UK Building Regulations - Part F - Means of Ventilation
Declaration of Conformance**

The Sentinel Multivent conforms with the 2006 Building Regulations Part F requirements for installed performance of a ducted mechanical extract fan when installed in accordance with the instructions in this leaflet.

UK - The Vent-Axia Guarantee

Applicable only to products installed and used in the United Kingdom. For details of the Guarantee outside of the United Kingdom contact your local supplier.

Vent-Axia guarantees this product for two years from the date of purchase against faulty material or workmanship. In the event of any part being found to be defective, the product will be repaired, or at the Company's discretion the product will be replaced without charge, provided that the product:

- 1). Has been installed and used in accordance with the instruction given with each unit.
- 2). The electricity supply complies with the rating label.
- 3). Has not been misused, neglected or damaged.
- 4). Has not been modified or repaired by any person not authorised to do so by Vent-Axia.

IF CLAIMING UNDER THE TERMS OF THE GUARANTEE

Please return the complete product, carriage paid to your original supplier by post or in person. Please ensure that it is adequately packed and accompanied by a letter clearly marked 'Guarantee Claim' stating the nature of the fault and providing proof of the date and source of purchase.

Sales Centre / Verkoopcentrum Centre des ventes / Vertriebszentrum: Fleming Way, Crawley, West Sussex, RH10 9YX Tel: +44 (0) 1293 530202 Fax: +44 (0) 1293 565169 www.vent-axia.com	Spares / Reserveonderdelen / Technical Support / Technische dienst Rechanges / Ersatzteile: Fleming Way, Crawley, West Sussex, RH10 9YX Tel: +44 (0) 1293 526062 E-mail: sales@vent-axia.com	/ Assistance technique / Technischer Kundendienst: Tel: +44 (0) 844 8560594 Fax: +44 (0) 1293 539209 E-mail: info@vent-axia.com
---	---	---

Installed by (installer name, company name and phone number):
Geïnstalleerd door (naam installateur, bedrijfsnaam en telefoonnummer):
Installé par (nom de l'installateur, nom de la société et numéro de téléphone):
Installiert von (Installateur, Firma und Telefonnummer)

.....
Date installed / Installatiedatum / Date installation / Installationsdatum:

.....
Boost speed / Boostersnelheid / Vitesse Accélérée / Höchststufe:

.....
Normal speed / Normale snelheid / Vitesse normale / Normale Stufe:

.....
Low speed / Lage snelheid / Vitesse faible / Untere Stufe:

.....
Delay on timer / Vertragingstijd / Programmateur temporisation / Einschaltverzögerung:

.....
Overrun timer / Doorlooptijd / Programmateur de vitesse accélérée / Nachlaufzeit:

.....
Boost CO₂ limit / Boost CO₂-limiet / Limite CO₂ Vitesse Accélérée:

.....
Normal CO₂ limit / Normale CO₂-limiet / Limite CO₂ Vitesse Normale:

.....
1 week dry out / 1 week drogen / Séchage 1 semaine / 1 Woche Trocknen:
.....

As part of the policy of continuous product improvement, Vent-Axia reserve the right to alter specifications without notice.

In het kader van het beleid voor voortdurende productverbetering behoudt Vent-Axia zich het recht voor specificaties, zonder nadere aankondiging te wijzigen.

Dans le cadre de sa politique d'amélioration continue des produits, Vent-Axia se réserve le droit de modifier les spécifications sans préavis.

Im Rahmen des Programms der kontinuierlichen Produktverbesserung behält sich Vent-Axia unangekündigte Spezifikationsänderungen vor.