

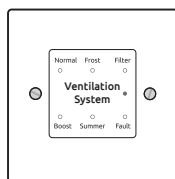
auralite® compatible HRV units

- H200 Q Plus ECO 204x60
- H200 Q Plus ECO Ø150
- H200 Q Plus ECO Ø160

aurastat® compatible HRV units

- | | | |
|----------|------------------------|--------|
| TP451HMB | H200 Q Plus ECO 204x60 | TP461B |
| TP452HMB | H200 Q Plus ECO Ø150 | TP462B |
| TP453HMB | H200 Q Plus ECO Ø160 | TP463B |

Heat Recovery Ventilation Units



Compatible with HMB units

auralite®

TP518

LED Status Indicator

Product Manual



Warnings, Safety Information and Guidance

Important Information

Important: read these instructions fully before the installation of this appliance

1. Installation of the appliance and accessories must be carried out by a qualified and suitable competent person and be carried out in clean, dry conditions where dust and humidity are at minimal levels.
2. This manual covers the installation of the Heat Recovery Ventilation (HRV) unit
3. All wiring must conform to current I.E.E. Wiring Regulations and all applicable standards and Building Regulations.
4. Inspect the appliance and electrical supply cord. If the supply cord is damaged, it must be replaced by the manufacturer, their service agent or similarly qualified persons in order to avoid a hazard.
5. The unit is supplied with a mains rated 3 core flexible cord (PVC sheathed, brown, blue and green/yellow 0.75mm²).
6. The appliance must be connected to a local double pole isolation switch with a contact separation of at least 3mm.
7. The appliance must be earthed.
8. H200 Q Plus suitable for 230V ~ 50/60Hz single phase with a fuse rating of 3A.
9. auralite® & aurastat®, control & communication cable access is via the fitted cable gland(s) which are suitable for Ø3- 6mm cable.
10. auralite® & aurastat® control & communication cable - Unshielded 4 Core 18-24AWG Stranded, Tinned Copper.
11. Control & communication cables should not be placed within 50mm or on the same metal cable tray as any 230V~ lighting or power cables.
12. Ensure all cable glands are fully tightened.
13. The unit must be stored in a clean and dry environment. Do not install the appliance in areas where the following may be present or occur;
 - Excessive oil or a grease laden atmosphere,
 - Corrosive or flammable gases, liquids or vapours,
 - Ambient temperatures above 40°C or below -5°C,
 - Humidity levels above 90% or is a wet environment.
14. The appliance is not suitable for installation to the exterior of the dwelling.
15. This appliance can be used by children aged from 8 years and above and persons with reduced physical, sensory or mental capabilities or lack of experience and knowledge if they have been given supervision or instruction concerning use of the appliance in a safe way and understand the hazards involved. Children should be supervised to ensure that they do not play with the appliance. Cleaning and user maintenance shall not be made by children without supervision.
16. Ensure that external grilles are located away from any flue outlet, in accordance with relevant Building Regulations.
17. The unit must not be connected to a tumble dryer or a cooker hood.
18. Precautions must be taken to avoid the back-flow of gases into the room from an open flue appliance.
19. Ensure all ducting, condensate drain and associated pipe work is free from debris and blockages before switching on the unit

Explanation of symbols on the appliance.



Read instruction Manual.



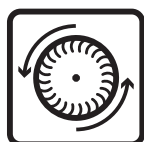
Risk of Electric Shock.



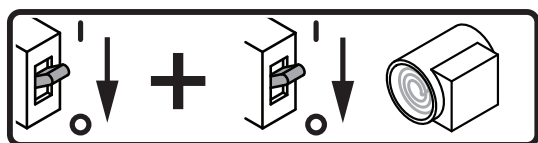
General hazard safety alert.



Disconnect the mains supply before removing this cover.



Wait until all machine components have completely stopped before touching them.



Disconnect the mains supply before removing this cover.

&

Before obtaining access to terminals or removing this cover, all supply circuits must be disconnected.

Titon Recommend:

1. A short piece of flexible ducting, approximately 200mm long is used to connect the unit to the ducting system.
2. Any flexible ducting used must be pulled taut.
3. A minimum distance of 200mm between the HRV unit and any sharp bends in duct work.
4. Ducting should be insulated where it passes through unheated areas and voids with the equivalent of at least 25 mm of a material having a thermal conductivity of $\leq 0.04 \text{ W/(m.K)}$ to reduce the possibility of condensation forming. Where a duct extends externally above roof level the section above the roof should be insulated or a condensate trap should be fitted just below roof level.
5. Ducts within the building heated envelope between the external terminals and the unit's From Atmosphere and To Atmosphere ports should be insulated and wrapped additionally with a vapour barrier outside the insulation.
6. Where ducts pass through fire barriers, they must be appropriately fire stopped in accordance with the requirements of Building Regulations.
7. A ducting condensate drain must be fitted to vertical To Atmosphere duct work.
8. Ducting must be installed in such a way that resistance to airflow is minimised.
9. Ducting connected to the From Atmosphere & To Atmosphere ports, must be to/from the external air outside the building envelope.
10. Duct joints to the unit's duct ports must be fixed using a method that ensures a long term seal is achieved. If using a short piece of flexible ducting secure using a hose clamp, do not over tighten.
11. A minimum distance of 2m exists between the external supply and exhaust terminals .

Contents

Warnings, Safety Information and Guidance

Important Information	2
Explanation of symbols on the appliance.	3
Titon Recommend:	3

Product Information

Packaging Contents	5
Component Identification	5
Dimensions	6

Installation

H200 Q Plus	7
Condensate Drain	8
Ducting Connections	9
Wiring Connections Access	9

Product Overview aurastat® Units TPxxxB

Control & Features	10
Filter Covers	10
Wiring Diagrams	11
Supply	11
Switching & Controls	12
External Sensors	15
Duct Heater	16
Fitting	16
Connection to Mains	17
Maintenance	17
Overheating	17

Commissioning aurastat® Units TPxxxB

HRV Controller Product Manual	18
-------------------------------------	----

Product Overview auralite® Units TPxxxHMB

Controls & Features	19
Filter Covers	19
auralite®	19
Auto Setback Speed	19
Continuous Speed	19
Boost Speed with Overrun Timer	19
auralite® Boost Alert	20
Summer Bypass	20
SUMMERboost®	20
Automatic Frost Protection	20
Integrated Humidity Sensor	20
Wiring Diagrams	21
Supply	21
auralite®	21
Switching & Controls	22

Commissioning auralite® Units TPxxxHMB

Controls	24
Control Parameters	24
Continuous Supply & Extract Speeds:	24
Boost Supply & Extract Speeds:	24
Boost Overrun	25
Humidity Sensor	25
Controller Reset	25
Hardware Reset	25

Maintenance

Filter Replacement	26
How to Change Filters	26
aurastat® Filter Change Alert Reset	26
auralite® Filter Notification Reset	26
Routine Maintenance	27
Access to Interior for cleaning	27
Cleaning Interior	27
Cleaning Exterior	27
Service Record	31



When this document is viewed as a PDF the headings & sub headings on this page are hyper links to the content. Additionally the page numbers in this document are hyper links back to this contents page.

Product Information

The HRVs are Mechanical Ventilation with Heat Recovery (MVHR) units. They are designed for the energy efficient ventilation of dwellings. The units are designed for continuous ventilation, exhausting stale moist air from bathrooms, toilets, kitchen and utility rooms. As the stale air is extracted, the unit's heat exchanger transfers heat, which would have been wasted, to the fresh air being supplied to the bedrooms and living rooms.

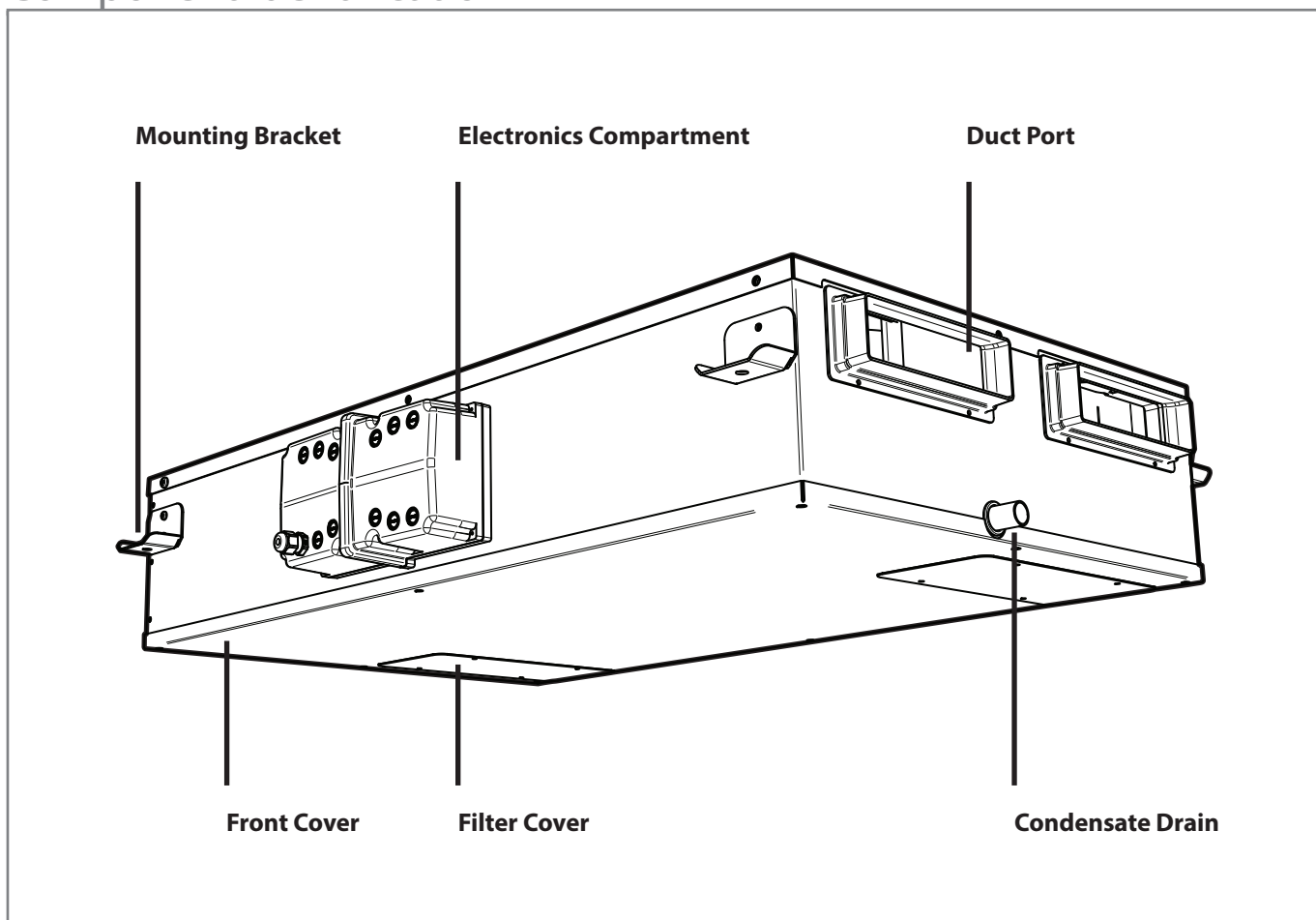
Packaging Contents

Inspect the unit when taking delivery. Check the unit for damage and that all accessories have been supplied. Package supplied with;

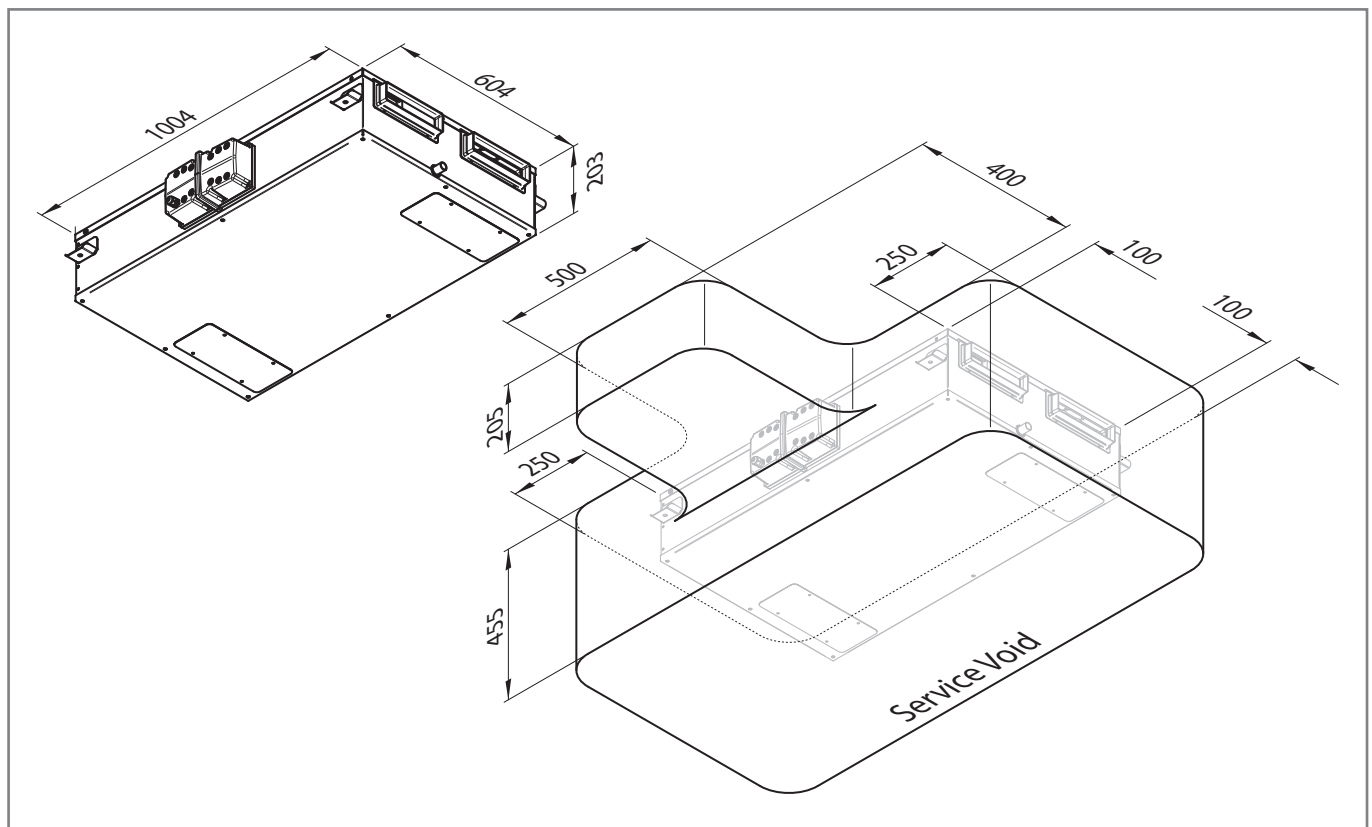
- HRV unit x 1.
- Mounting Bracket x 4.
- M5x10mm Pan head screws x 8.
- M5 Star washers x 8.
- Product Manual x 1.
- EuP Documents.

Any shortages or damage must be immediately reported to the supplier.

Component Identification



Dimensions



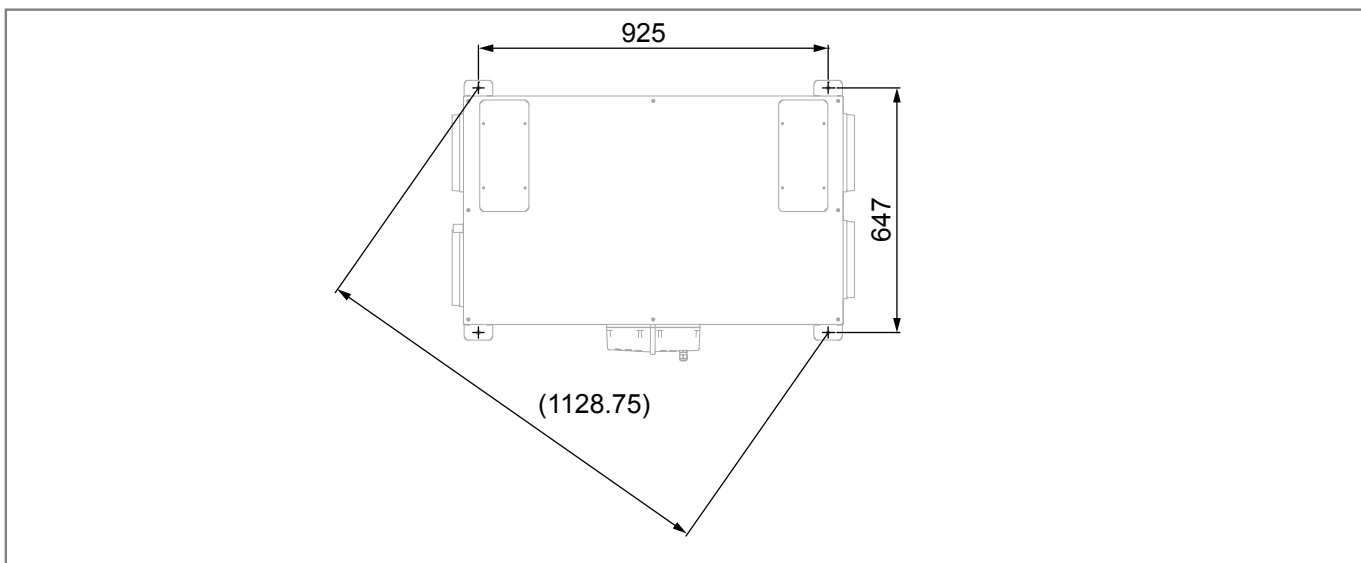
H200 Q Plus DO NOT BOX IN UNIT

H200 Q Plus

Read and observe the guidance & safety notices listed in Warnings, Safety Information and Guidance .

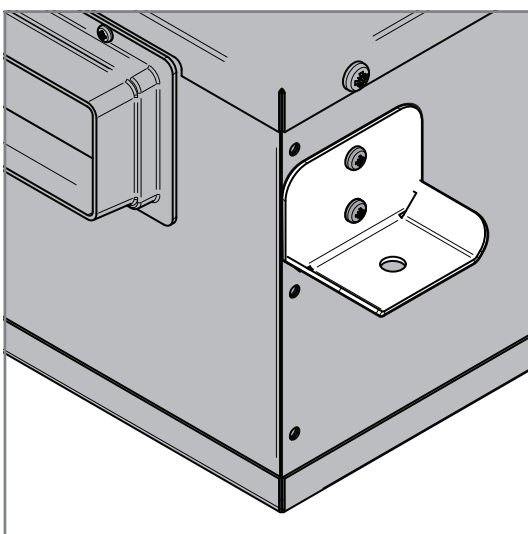
- The units are designed to be mounted on the underside of a horizontal surface.
- The mounting surface and fixings must be sufficiently strong to support the unit. The unit is H200 32Kg,
- Consider the positioning of electrical services and the Condensate Drain when siting the unit.
- Ensure there is sufficient access around the HRV Q Plus for future maintenance.
- Do not 'box-in' the unit making access to the unit difficult for maintenance and repair.

The unit must be mounted plumb and level front to back and side to side.



Fixing Locations H200

1. Position four $\varnothing 8$ mm fixings in the mounting surface in the positions specified. Fixings must be suitable for the mounting surface substrate and the weight of the unit. Fixings are not supplied due to the variation in materials. For advice on suitable fixings contact your local specialized fixings dealer.



2. Fit the 4 mounting brackets to the sides of the unit with the M5 screws and M5 star washers, ensure all mounting brackets are orientated as illustrated.
3. Secure the unit using $\varnothing 8$ mm fixings Ensure the unit is plumb and level front to back and side to side.

Condensate Drain

The unit's Condensation Drain Pipe must be fitted and connected to the dwelling's foul water drainage system in accordance with the relevant building regulations.

- Condensate output is a Ø21.4mm plastic pipe positioned on the end of the unit.
- Drain pipe must be fitted to the unit with a removable fitting.
- Drain pipe must incorporate a suitable trap, which must act as an air lock.
- Must be adequately secured and be insulated with the equivalent of at least 25mm of insulating material with a thermal conductivity of 0.04 W/(mK) if any part of the pipe passes through an unheated void
- Condensate drain pipe must be installed to have a minimum 3° fall from the unit.
- Titon recommend the use of diaphragm type waste valve in place of a conventional 'wet' trap which could dry out. Such as, BRE certificate no. 042/97 'Hepworth Hepv0 Hygienic self sealing plastic waste valve' recommended as an alternative to traditional U-Traps.

Ducting Connections

Read and observe the Warnings, Safety Information and Guidance.

The HRV unit has a labels with the icons indicating which port is which.

It is very important that ducting is connected to the correct ports in line with the icons below.



EXTRACT FROM DWELLING - This duct port is connected to the ducting that carries waste air from the 'Wet Rooms' to the HRV unit.



TO ATMOSPHERE - This duct port is connected to the ducting that carries the waste air to outdoors from the HRV unit.



SUPPLY TO DWELLING - This duct port is connected to the ducting that carries the fresh warmed air to the habitable rooms from the HRV unit.



FROM ATMOSPHERE - This duct port is connected to the ducting that carries fresh outdoor air to the HRV unit.

Wiring Connections Access

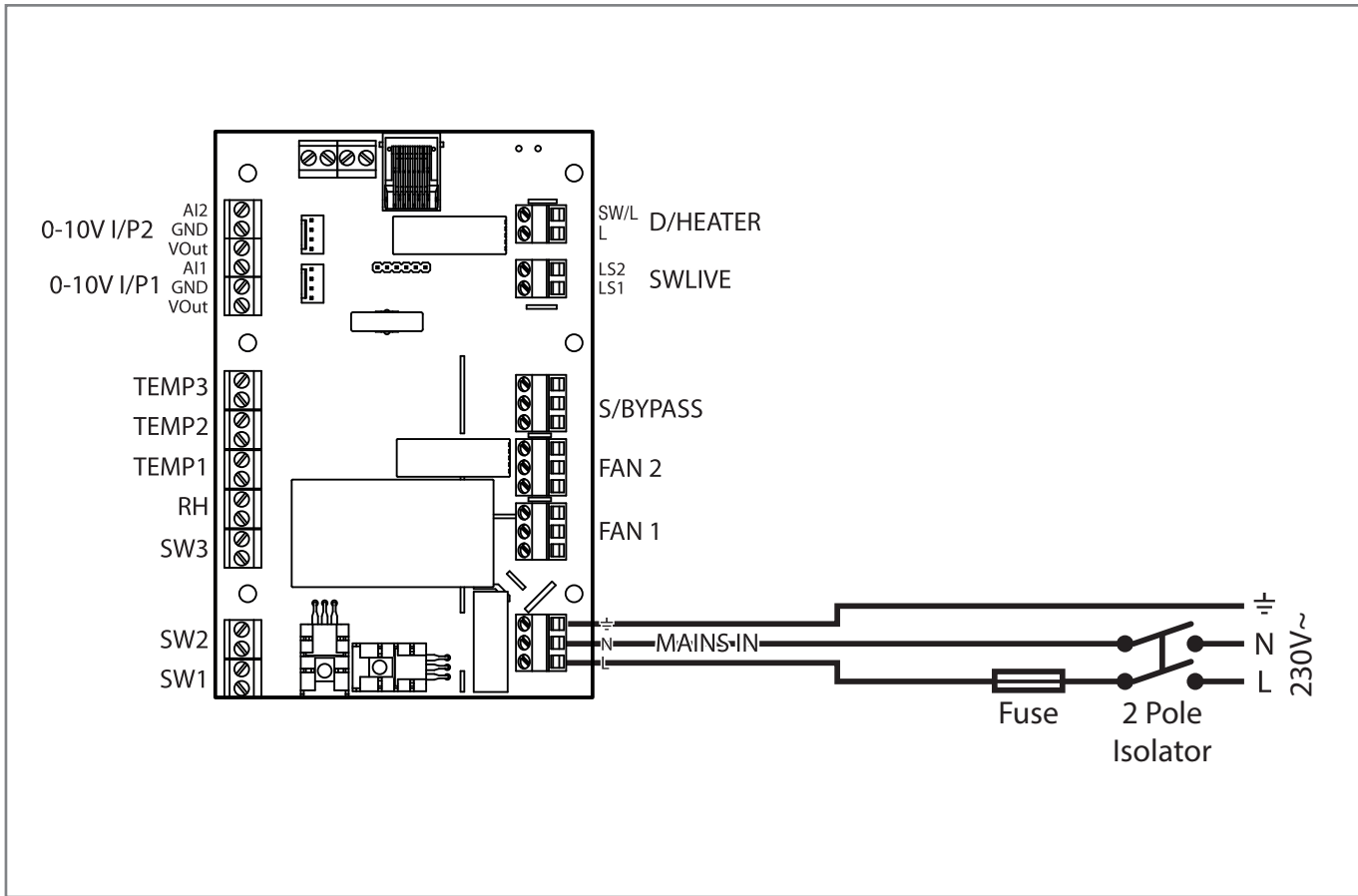
All wiring must conform to current I.E.E. Wiring Regulations and all applicable national standards and Building Regulations. Read and observe the Warnings, Safety Information and Guidance.

The electronics compartment is mounted on the side of the unit. The compartment has two interlocking removable lids. Remove all eight screws to remove both lids.

All wiring must be routed into the electronics compartment via the knock-outs and using cable glands or similar.

Wiring Diagrams

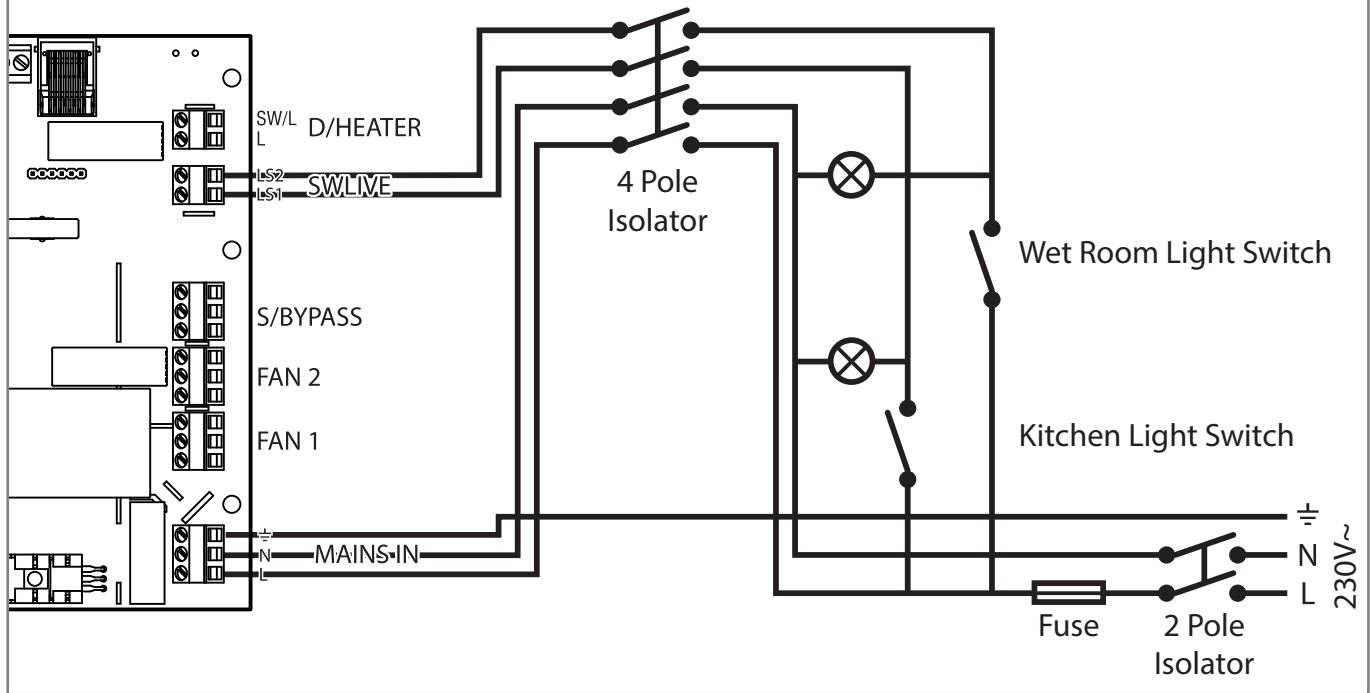
Supply



Supply wiring Ref EE167

Switching & Controls

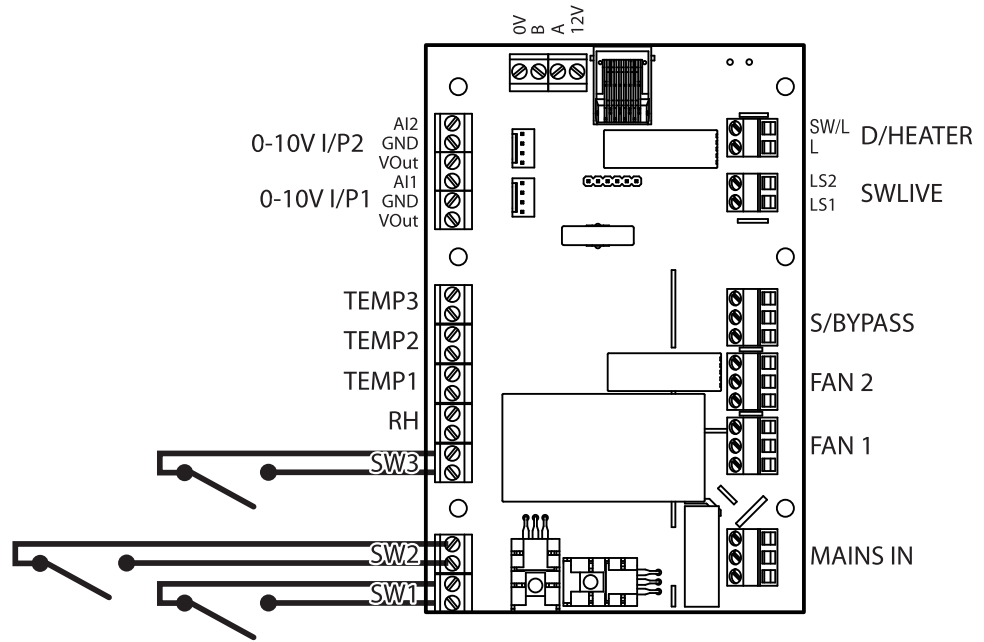
The Switched Live (LS1, LS2) Boost(s) must be supplied via the same circuit as used to power the unit.
A 3 (LS1 only) or 4 (LS1 & LS2) pole local isolator must be installed. The Boxed Relay (Part No. TP505) may be required to switch from other circuits.



Supply wiring with switch inputs Ref EE166

Switch Defaults

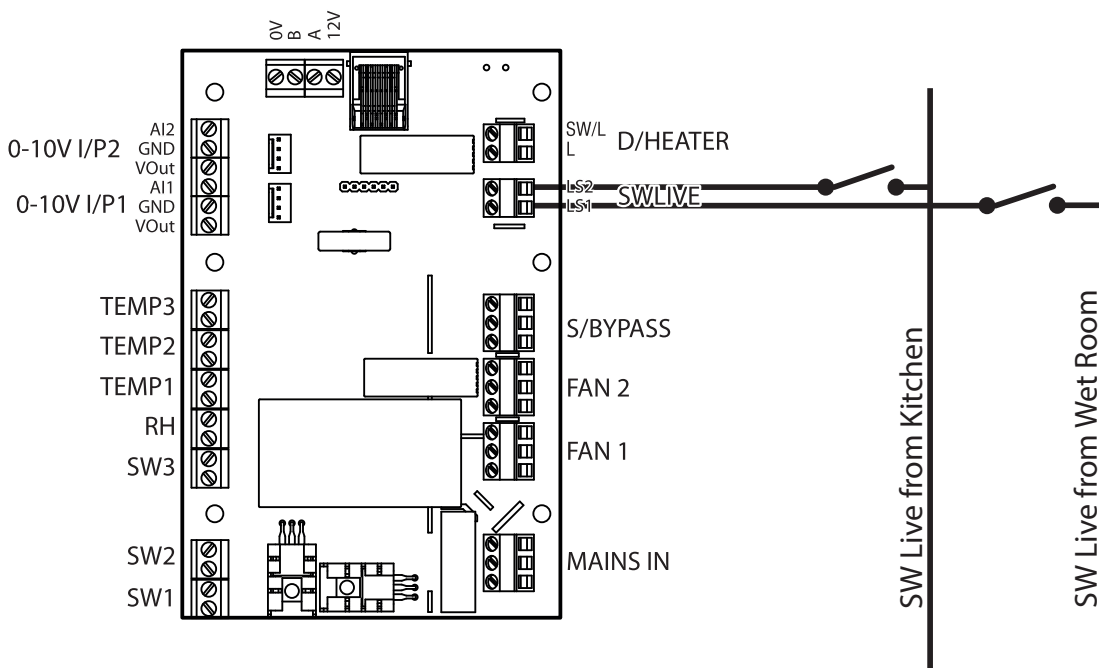
- SW1 - Volt Free - Kitchen Boost.
- SW2 - Volt Free - Wet Room Boost.
- SW3 - Volt Free - SUMMERboost Control.



Volt Free switch inputs Ref EE163

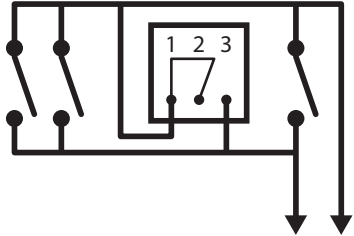
Switch Defaults

- LS1 - 230V~ - Kitchen Boost
 - LS2 - 230V~ - Wet Room Boost
- The Switched Live (LS1, LS2) Boost(s) must be supplied via the same circuit as used to power the unit.



LIVE switch inputs Ref EE163

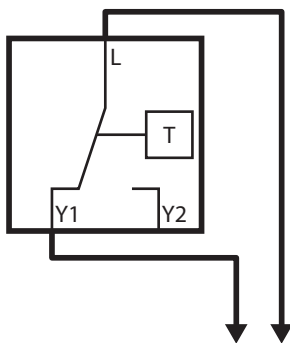
Any of these switch arrangements can be used in switch inputs SW1 to SW3 depending on their configuration and the type of MVHR.



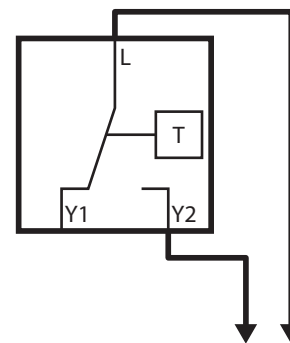
Volt-free boost switching of MVHR using single-pole switches TP502, TP503, TP507 and / or TP500/TP501 Humidistat. There is a maximum of 10 single pole switches or Humidistats that can be used.



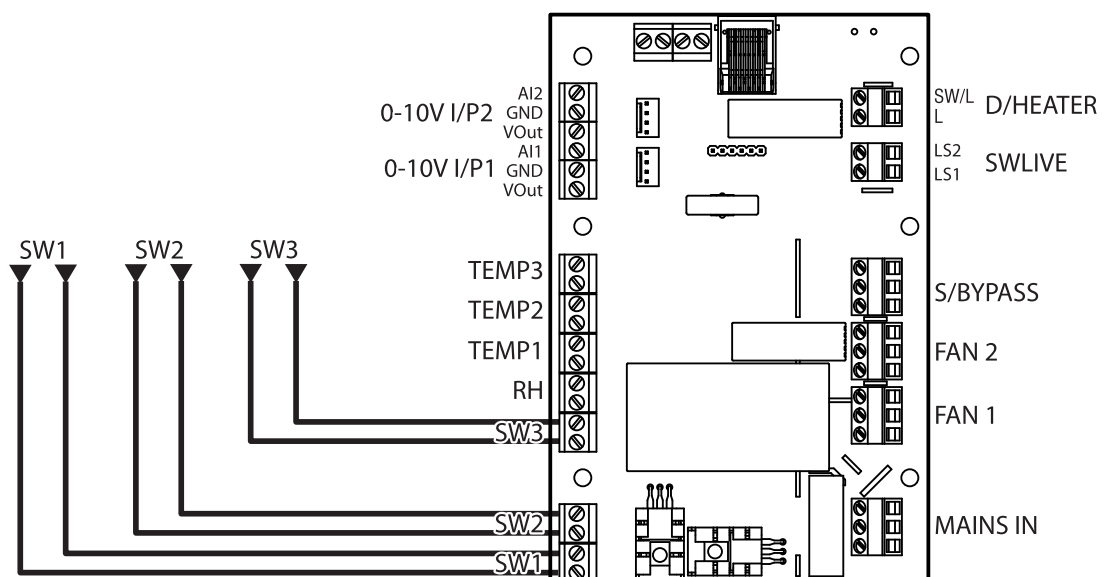
TP506 Latching Summer Mode switch / TP522 Latching SUMMERboost® switch.



Volt-free control of SUMMERboost® using room thermostat. TP509 Room Thermostat



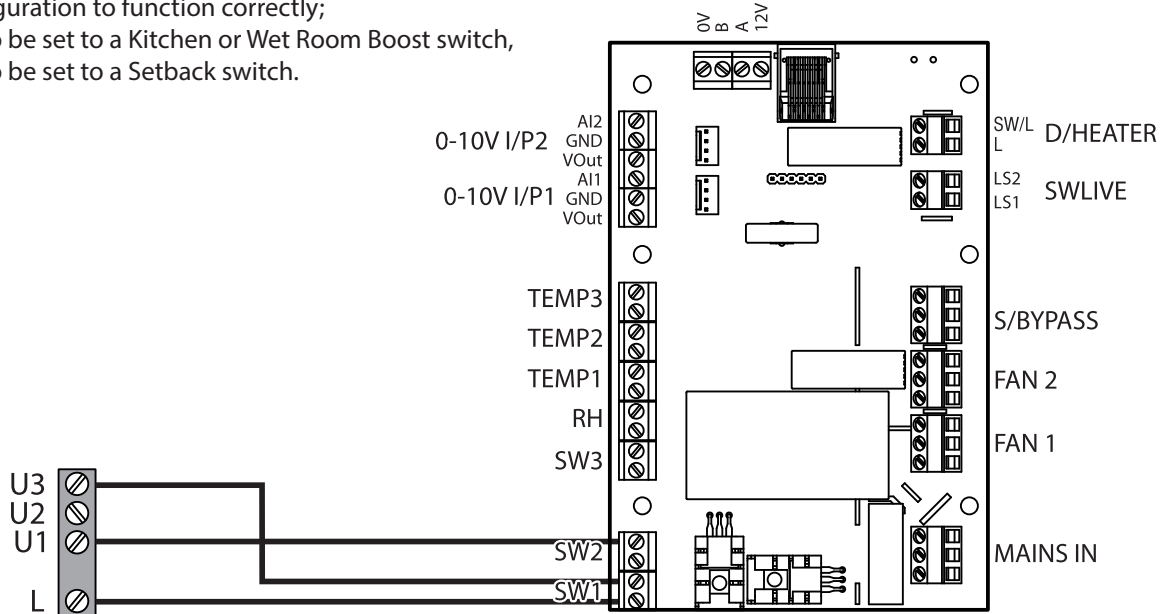
Volt-free activation of Summer Mode using room thermostat. TP509 Room Thermostat



Switch Positions TP508 Three Position Rotary Switch

- 1 - Setback Speed
- 2 - Continuous Speed
- 3 - Boost Speed

For this configuration to function correctly;
 S1-1 Needs to be set to a Kitchen or Wet Room Boost switch,
 S1-2 Needs to be set to a Setback switch.



3-Way rotary switch Ref EE162

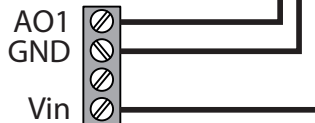
External Sensors

If sensors are fitted with switches ensure they are switched to VDC

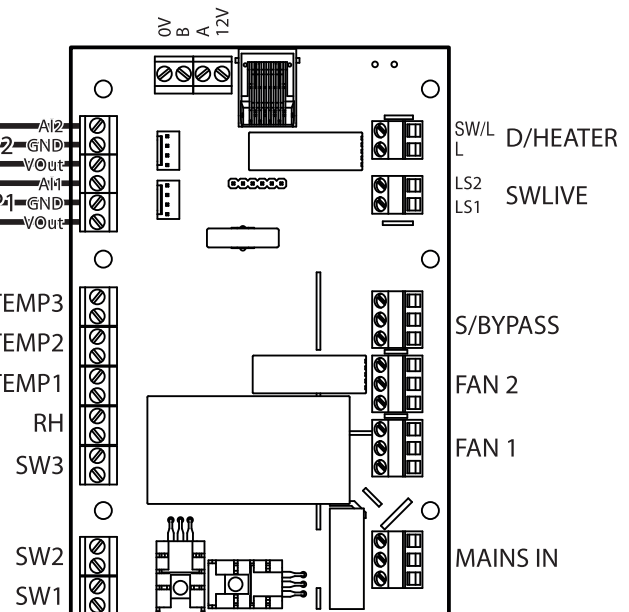
Room Sensor 2
 (default TP541 RSC Room CO₂ Sensor)



Room Sensor 1
 (default TP542 RSH
 Room Humidity Sensor)



Additional Options:
 TP540 RSQ Room Air Quality Sensor
 TP543 RST Room Temperature Sensor



0-10V Sensor connections Ref EE161

Duct Heater

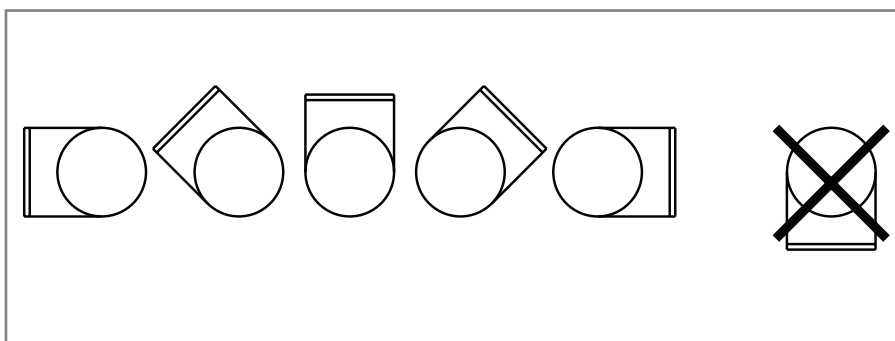
Using the factory fitted PCB TPxxxB models only it is possible to control an external mains operated duct heater to pre-warm the incoming fresh air supply. During periods of cold weather, this reduces the possibility of ice build-up within the unit by raising the temperature of the incoming supply air. However there will be a significant increase in electrical energy use.

Fitting

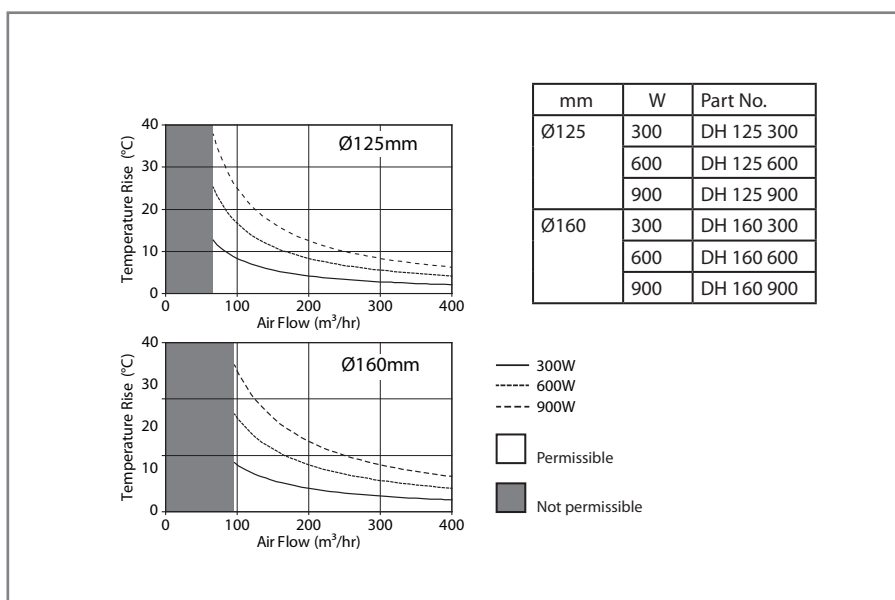
1. The heater is designed for insertion into standard spiral steel ducting and is fixed to the ducting with screws.
2. The air must flow through the heater in the direction of the arrow (located on the side of the heater close to the connection box).
3. The heater can be fitted in either horizontal or vertical ducting. The electrical connection cabinet can be freely placed facing upwards or sideways to a maximum angle of 90°. Fitting with the box facing downwards is NOT allowed.
4. The access opening in the heater must be equipped with a fixed mesh or an intake air device which makes it impossible to touch the element inside
5. A warning sign must be attached close to the air outlet, stating that the air outlet must not be covered.
6. The distance from (to) the heater to (from) a duct bend, valve, filter, etc should correspond to at least twice the duct diameter, otherwise there is a risk that the airflow through the heater is uneven which can cause activation of the overheating cut-out.
7. The heaters may be insulated in accordance with valid regulations for ventilation ducting. However, the insulation material must be incombustible. The cover of the heater must be free from insulation so that the type plate is visible and the cover can be removed.
8. The parts of the ventilation system where heaters are installed must be kept accessible to allow replacement and service.
9. The distance from the heater's metal casing to any wood or other combustible material must NOT be less than 30 mm.



Duct Heater

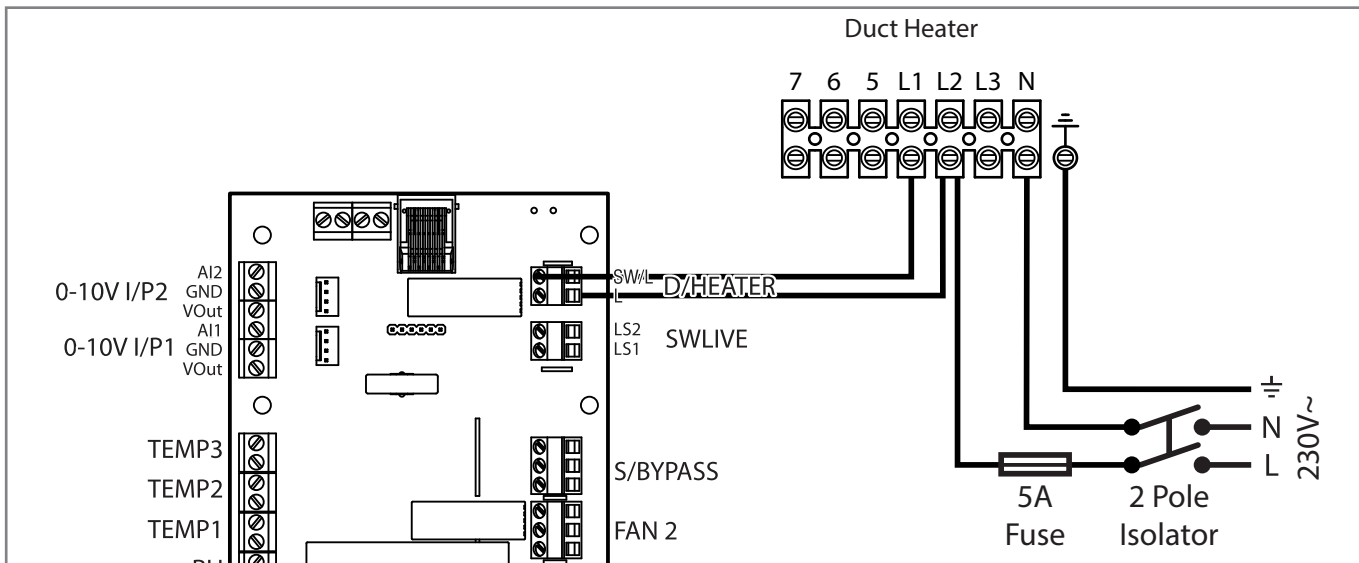


Duct Heater fitting orientation



Duct Heater Operational Ranges

10. The maximum ambient temperature allowed is 40°C.
11. The air flow through the heater must have a speed of at least 1.5 m/s.
12. The maximum output temperature allowed is 40°C.



Duct Heater CV 12-09-1M Connection Wiring Diagram Ref EE165

Connection to Mains

1. All wiring must conform to current I.E.E. Wiring Regulations and all applicable national standards and Building Regulations.
2. The installation MUST be carried out by a suitably qualified competent person.
3. The duct heaters are designed to operate on single phase alternating current. See the wiring diagram for the particular heater and the electrical data on the rating plate placed on the cover of the duct heater.
4. The duct heater must be connected to the mains supply with a fixed installed round cable. The heater must be equipped with a cable grommet or cable fitting designed for the cable, which ensures that the electrical protection class of the heater is retained. The standard design is IP43.
5. It must not be possible to switch on the power to the element unless the *Q Plus* unit is operating. An all phase breaker or a double pole switch with a contact gap of at least 3mm must be included in the fixed installation.
6. The duct heater is equipped with two overheating cut-outs (one with manual reset) designed to prevent overheating when the airflow is too low or in the event of a fault in the system.
7. A drawing must be attached inside the fuse box or on the wall of the service room. The drawing shows the rating of the duct heaters and their location in the building, together with information about the measures to be taken in the event that the overheat protection cutout(s) is activated.

Maintenance

No maintenance is required except a periodic functional test.

Overheating

When the overheating cut-out with manual reset has been activated, the following should be observed:

1. The heater must not be interfered with in any way, such as removal of the cover, except by an authorised electrical fitter.
2. Turn off the mains power.
3. Investigate carefully the reason for activation of the cut-out.
4. When the fault has been eliminated, the cut-out can be reset.

The heater has a built in manual reset thermal protection with the reset button placed on the lid of the duct heater.

Controls & Features

The auralite HRV *Q Plus* units are controllable by various volt free switches and sensors. The following describes the controls and features of the auralite HRV *Q Plus* units and how they are controlled. Ensure all controls are adequately labelled, indicating their function clearly.

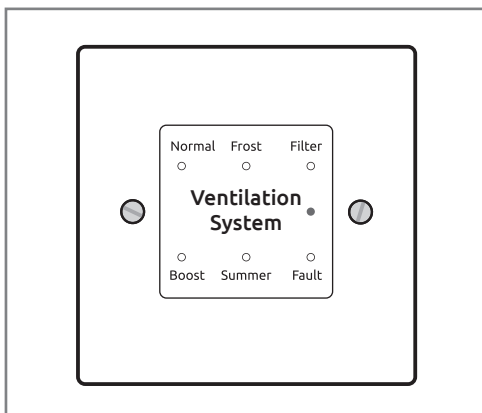
Filter Covers

The units are fitted with removable filter covers on the front panel.

auralite®

auralite® is available separately as an optional add-on. auralite® is a low voltage hard wired remote LED ventilation system status indicator, designed to fit a standard UK patress or recessed backbox. The indicator has six LEDs which display:-

- Normal Solid light - Unit is running at Continuous Speed.
 Flashing light - Unit is running at Setback Speed.
- Frost Unit is in Automatic Frost Protection mode.
- Filter Filters require change.



auralite® Indicator Panel

- Boost Solid light - Unit is running at Boost Speed.
 Flashing light Boost Alert is active.
- Summer Unit is in Summer bypass.
- Fault Unit has a fault - Contact the installer.

Auto Setback Speed

Setback Speed is used to reduce ventilation rates. Setback Speed is automatically set at the mid point between minimum possible Continuous Speed and the selected Continuous Speed. The Setback Speed can be enabled by connection of a volt free one-way switch, or combined with the Boost Speed with the 3 position switch TP 508.

Continuous Speed

Continuous Speed is the normal continuous extract and supply air flow running speed of the units.

Boost Speed with Overrun Timer

Boost Speed increases the extract and supply air flow. Boost Speed is configured with Step-less independent fan controls and includes an Overrun Timer variable between 0 and 60 minutes. The Boost Speed can be triggered by any device which provides a volt free one-way switch, such as a PIR, thermostat, humidistat or a standard one-way switch. If the unit is left Boost (latching switch) for longer than 2 hours the Overrun Timer is disabled meaning the HRV will return to Continuous Speed as soon as the switch holding the unit in Boost is released.

auralite® Boost Alert

Boost Alert is a timer designed to prevent the HRV being inadvertently left in Boost for long periods of time. Once the HRV is placed in Boost the timer is started and after 2 hours Boost Alert will be activated. This is indicated by the Boost LED on the auralite® Indicator Panel flashing. Once Boost Alert has been activated the Overrun Timer is disabled meaning the HRV will return to Continuous Speed as soon as the switch holding the unit in Boost is released.

Summer Bypass

Summer Bypass is designed to operate during hot periods where fresh air can be vented straight into the property without being preheated by the extracted stale air. Summer Bypass operation is automatically controlled. The Summer Bypass mechanism diverts the stale air being extracted from the dwelling around the heat cell so that its heat energy is not transferred to the fresh air being supplied to the property.

SUMMERboost®

An optional SUMMERboost® facility is available that allows both the supply and extract fans to run at full speed whenever the Summer Bypass is activated.

By default SUMMERboost® is disabled by a Link Wire, see Wiring Diagrams.

Removal of the link wire will enable SUMMERboost®.

When SUMMERboost® is triggered by Summer Bypass the increased fan speed can be prevented either Manually or Automatically.

Manual - This is by means of a volt-free switch wired directly into the controller PCB.

Automatic - This is by means of a dedicated wall mounted room thermostat. SUMMERboost® will only operate when the temperature has exceeded the thermostat setting. Should the room temperature fall below the thermostat setting, then SUMMERboost® will not operate.

Automatic Frost Protection

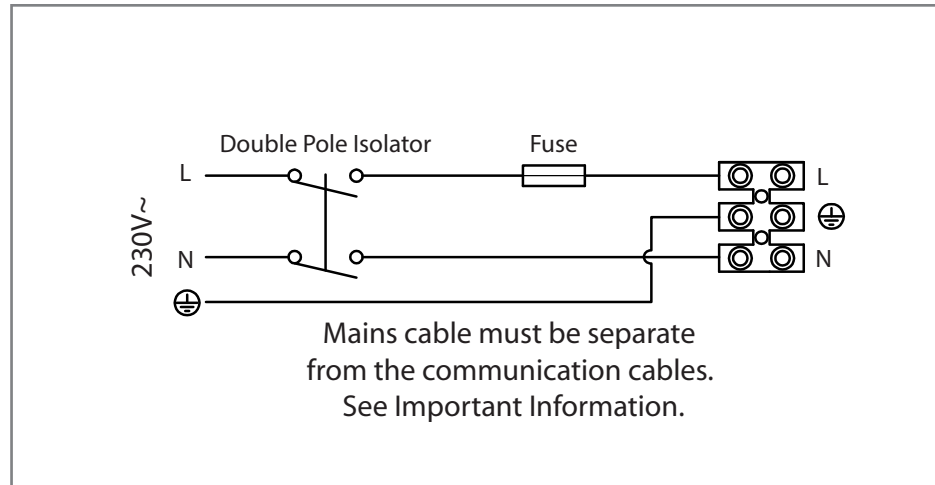
During very cold weather, Automatic Frost Protection will detect temperatures that could form ice inside the unit. It will reduce the supply ventilation rate to prevent ice build up within the heat cell. Automatic Frost Protection reduces the flow rate of cold air, thus allowing the warmer stale air to raise the temperature within the heat cell to such a level that prevents the formation of ice. As internal temperatures rise Automatic Frost Protection will increase the supply ventilation flow rate back to the commissioned settings.

Integrated Humidity Sensor

Units are fitted with an Integrated Humidity Sensor. This continuously monitors the relative humidity (RH) of the extracted air and triggers Boost Speed when the relative humidity rises over the set threshold. The Humidity Sensor's trigger point is variable from 55%RH to 85%RH and is configured using step-less independent potentiometer.

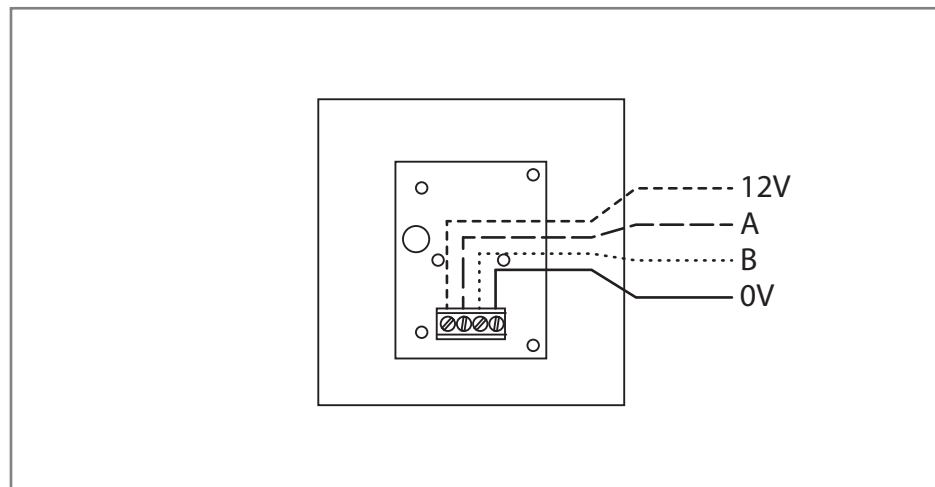
Wiring Diagrams

Supply

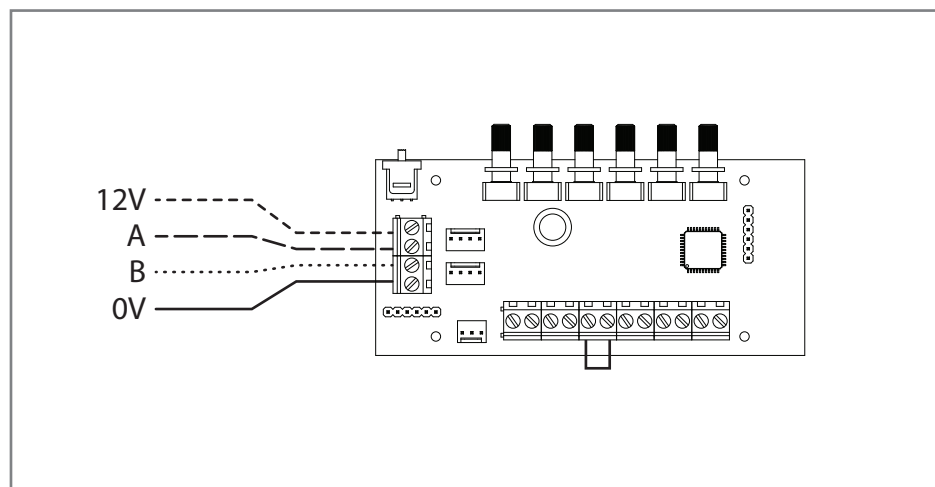


Supply wiring diagram 230V~ ref EE141

auralite®

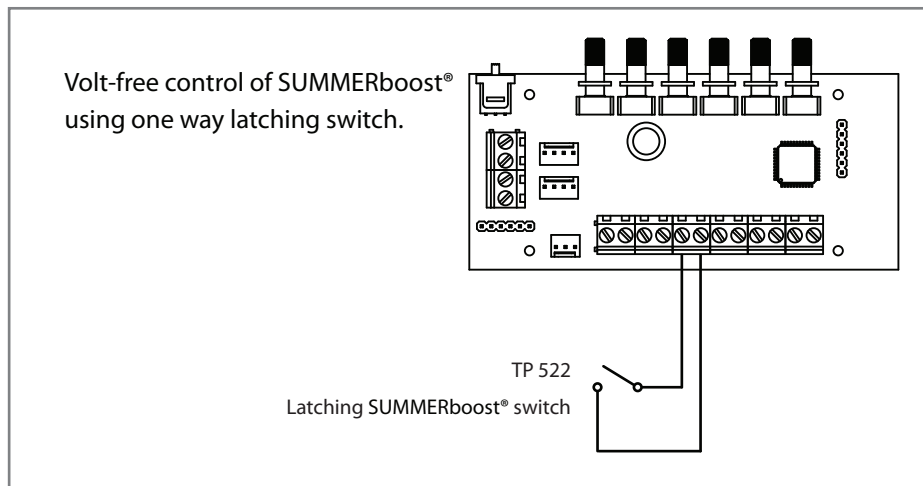


auralite® connection at Indicator ref EE180

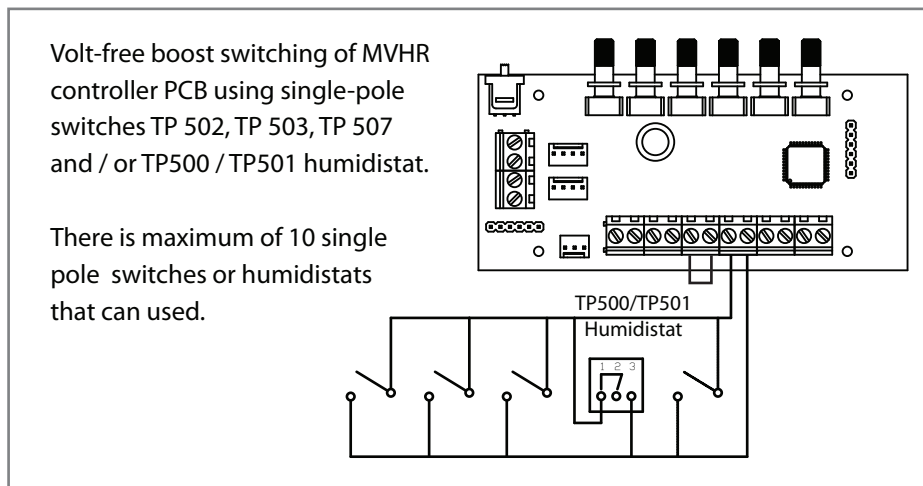


auralite® connection at Unit ref EE180

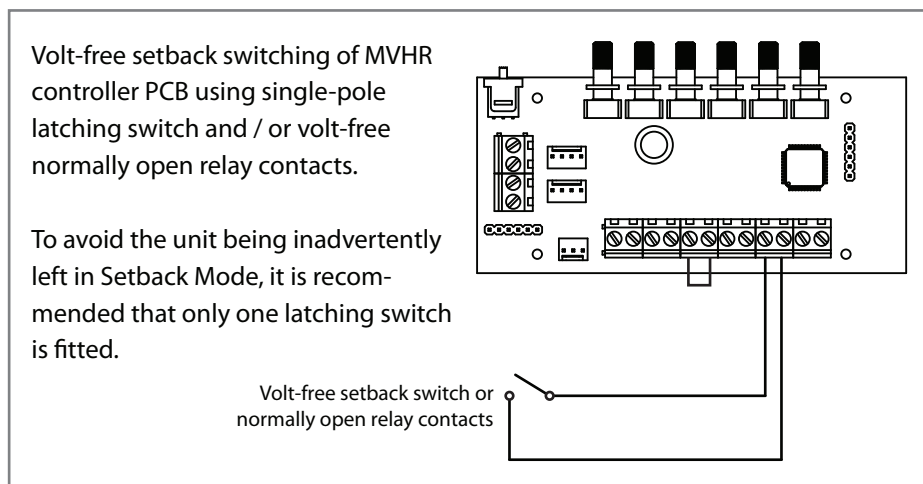
Switching & Controls



SUMMERboost® switch connection ref EE178



Boost switching and Humidistat connection ref EE173

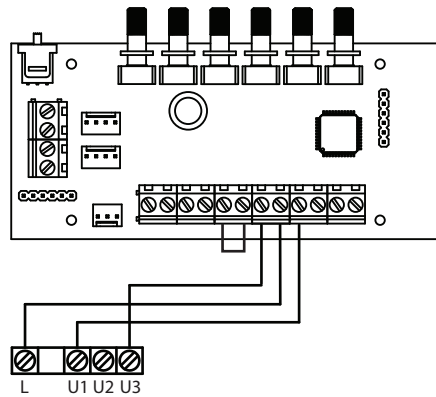


Setback Mode switching and connection ref EE177

SWITCH POSITIONS

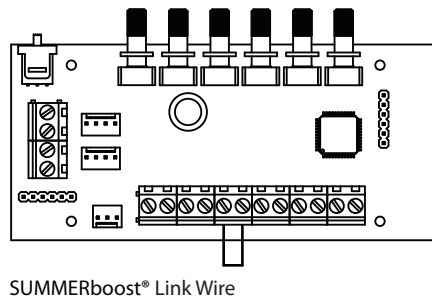
- 1 - Setback Speed
- 2 - Continuous Speed
- 3 - Boost Speed

TP 508
Three position rotary switch



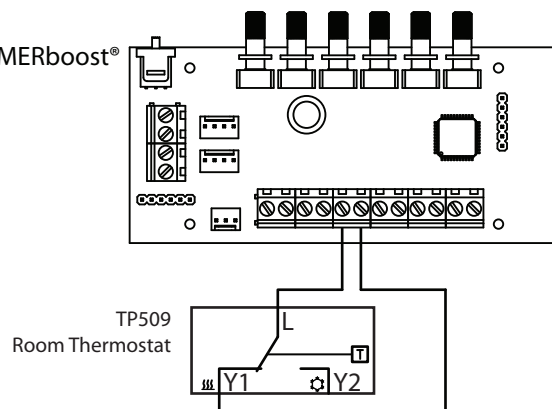
Three Position Rotary Switch TP 508 switching and connection ref EE175

SUMMERboost® Link Wire must be removed to enable SUMMERboost®.



SUMMERboost® Link Wire

Volt-free control of SUMMERboost® using room thermostat.



SUMMERboost® thermostat connection ref EE178

Commissioning auralite® Units TPxxxHMB

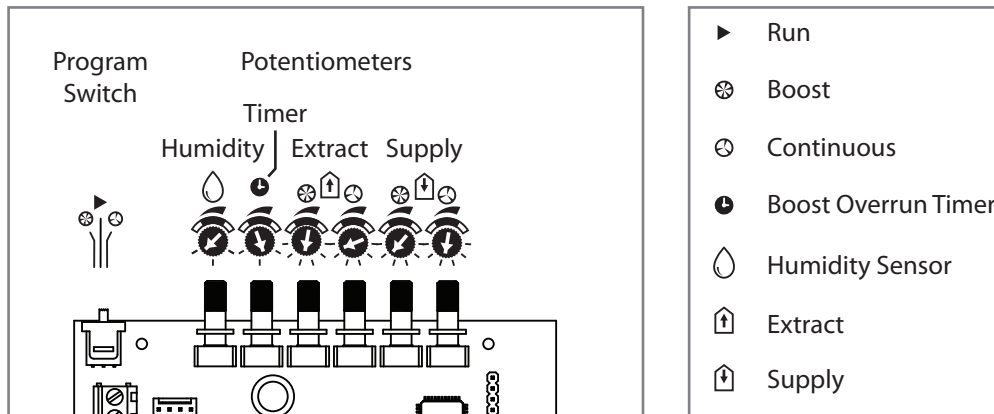
Controls

The fan speeds of the Titon HRV Q Plus will require adjustment to ensure the flow rates achieved provide adequate ventilation. The Titon HRV Q Plus has 2 standard fan speed settings Continuous Speed and Boost Speed.

The Continuous Speed and Boost Speed are programmed by placing the controller into Program Mode via the Program/Run Switch and changing the position of rotary potentiometers.

When applying power for the first time, the unit can take up to four minutes to start operating.

Prior to the first commission set Continuous Speed potentiometers to minimum and Boost Speed potentiometers to maximum or reset the controller.



Control Identification

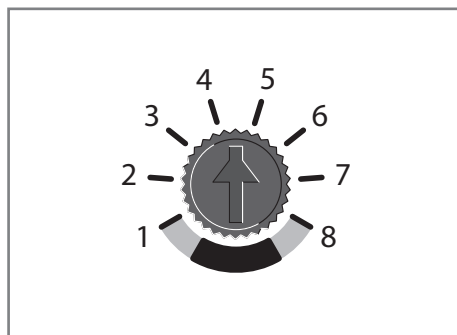
Control Parameters

- The Boost Speed cannot be set lower than the Continuous Speed.
- The Continuous Speed cannot be set higher than the Boost Speed.
- All switching inputs are disabled when the Program/Run Switch is in Continuous or Boost positions.
- Speed control potentiometers are disabled when the Program/Run switch is in centre Run position.

For the commissioning settings to be stored the unit needs to be powered up.

Continuous Supply & Extract Speeds:

1. Move Program/Run Switch to Continuous position.
2. Rotate supply fan Continuous Speed adjustment potentiometer to achieve required supply continuous air flow.
3. Rotate extract fan Continuous Speed adjustment potentiometer to achieve required extract continuous air flow.
4. Return Program/Run Switch to centre position to exit commissioning.

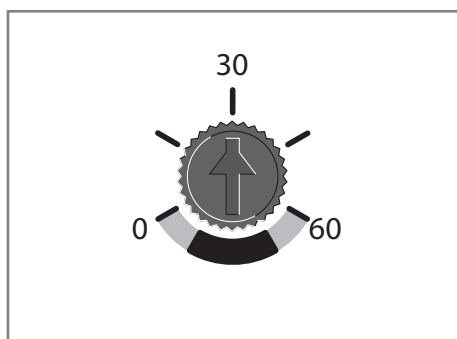


Commissioning Pot positions

Boost Supply & Extract Speeds:

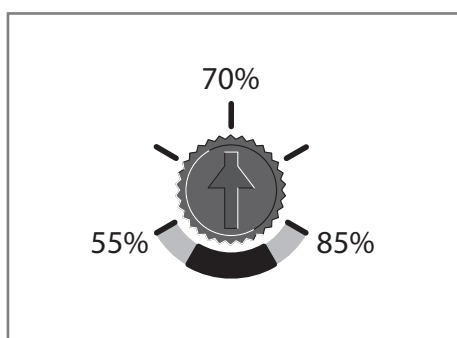
1. Move Program/Run Switch to Boost position.
2. Rotate supply fan Boost Speed adjustment potentiometer to achieve required supply boost air flow.
3. Rotate extract fan Boost Speed adjustment potentiometer to achieve required extract boost air flow.
4. Return Program/Run Switch to centre position to exit commissioning.

Boost Overrun



Boost Overrun Timer is variable between 0 and 60 minutes. Rotate potentiometer to change overrun time. This can be done at any time.

Humidity Sensor



The Humidity Sensor's trigger point is variable from 55%RH to 85%RH. Rotate potentiometer to change trigger point. Humidity Sensor adjustment can be done at any time without the need to move the Program / Run Header Link.

Controller Reset

Following a controller reset the ventilation system will need to be fully commissioned.

The procedure to reset the Titon HRV *Q Plus* controller is a simple three step operation. The unit will need to be powered up during the reset procedure.

1. Rotate the Supply and Extract Continuous Speed potentiometers fully anti-clockwise.
2. Rotate Supply and Extract Boost Speed potentiometers fully clockwise move the Run/Program Switch from the Run position to the Continuous position, from the Continuous position to the Boost position and back to the Run position. To ensure that the reset switch movements are registered by the controller wait two seconds between each switch movement. Controller reset is now complete.

Hardware Reset

Certain conditions (repeated supply interruptions etc.) can activate the automatic motor protection mode. Whereby the fan motors are prevented from operating. This requires a hardware reset to return the unit to normal operating mode, to achieve this power to the unit should be switched off for 5 minutes, restoring the power after this time will reset the hardware of both the motor and PCB. Commissioning settings are not affected during a hardware reset.

Maintenance

Filter Replacement



Filters should be replaced at least annually, or more regularly dependent on environmental conditions. The aurastat® and auralite® will indicate filter change required in line with the Filter Change Interval settings.

Replacement Filters are available from Titon Direct. www.titondirect.co.uk

Filters should be replaced with like for like components.

The H200 can be specified with filters with different grades. Filters must be replaced with like for like replacements, failure to do so will result in changed system airflows and will necessitate the re-commissioning of the ventilation system.

Type	Part Number
2 Standard G4 panel filters	XP2010173
1 F7 panel filter & 1 G4 panel filter	XP2010174
1 Slim G4 pre-filter, optional for use with F7 filter	XP2010172

How to Change Filters

1. Remove Filter Covers, each cover is attached with four screws.
2. Slide out Filters.
3. Replace Filters by carefully sliding the replacement.
4. If using cardboard framed pleated Filters ensure arrows printed on the ends of the Filters point towards the centre of the unit.
5. Replace Filter Covers. When refitting do not overtighten screws.

aurastat® Filter Change Alert Reset

See SETUP2 menu in the HRV Controller Product Manual.

auralite® Filter Notification Reset

Ensure the HRV is powered up. To clear the auralite® filter notification press & hold the reset switch with a ball point pen or similar object for 10 seconds. The switch is located behind the small hole in the front of the auralite®. All lights will momentarily be illuminated indicating a successful reset.

Routine Maintenance

All ventilation units require periodic maintenance. Routine maintenance, apart from filter changes, must only be carried out by a suitably qualified and competent person.

WARNING: The unit uses a 230V ~ supply and contains rotating mechanical parts. ISOLATE the unit from mains power supply and allow sufficient time for all moving parts to stop before undergoing any Servicing or Maintenance. The unit may be supplied with multiple live supply if a Duct Heater is fitted or uses switched live for Boost Speed control.

Access to Interior for cleaning

1. ISOLATE the unit from mains power supply and allow sufficient time for all moving parts to stop.
2. Remove Condensate Drain Pipe from the unit using the removable fitting.
3. Remove the Front Cover, Front Cover is attached with 8 screws.
4. Remove the black ribbed panel.
5. Remove the Condensate Tray Retaining Strap by rotating as indicated.
6. Carefully slide the Condensate Tray towards the centre of the unit until the Condensate Tray Drain Spigot is clear of the case.
7. Heat Cell can be removed by pulling the strap downwards.
8. Reassembly is the reverse of the above steps.

Cleaning Interior

For best results:

1. Slide out Filters.
2. Carefully remove any dust from face of heat exchanger, interior of the unit and the Bypass(if fitted) using a vacuum cleaner.

Do not use water or any other fluids

Cleaning Exterior

For best results use a clean damp cloth. Do not use abrasive cleaners, solvents or any other fluids.







Service Record

Serviced By	Company	Date	Notes

In the event of any queries please contact the system installer.

Ensure this booklet is passed to the householder once installation & commissioning of the ventilation system is complete. This Product Manual must be kept in the Home Information Pack and used as a service record.

Installed by:



MARKETING DIVISION
894 The Crescent, Colchester Business Park,
Colchester, Essex, CO4 9YQ United Kingdom
Tel: +44 (0) 1206 713800 **Fax:** +44 (0) 1206 543126
Email: ventsales@titon.co.uk **Web:** www.titon.com