

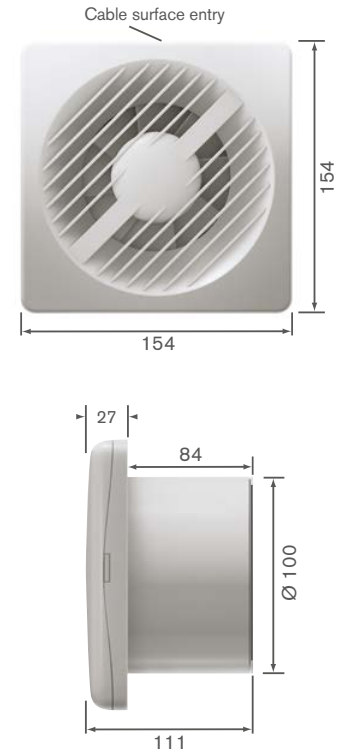
# Select 100

## Axial flow bathroom fan



### Features and benefits

- Classic  $\varnothing$  100mm axial flow fan that complies with current Building Regulations – widely specified in new houses
- $\varnothing$  100mm axial flow fans suitable for wall or window application. Ceiling mounting with discharge via external wall or soffit incorporating one 90° bend. Not suitable for vertical duct installations via a roof tile vent or similar
- Wide range of control options including SELV (Safety Extra Low Voltage) for additional safety protection in wet rooms
- Built in guide vanes to improve installed airflow performance
- Includes anti-backdraught shutters to help reduce heat loss when not in operation (remove for ceiling applications)
- Clever spigot strengthener design helps to prevent crushing when attaching flexible ducting
- Axial impellor design has flat surfaces that do not clog easily reducing the impact any dirt or other airborne particles have on fan performance



### Models, control options and key data

\*Sound pressure level measured @ 3 metres

Product code	Control operation	Voltage	IP	Performance		Watts	dB(A)*	Price ex. VAT (£)
				m <sup>3</sup> /h	l/s			
AXS100	Single speed	230	X4	72	20	13.2	33	£26.88
AXS100PC	Single speed with pullcord	230	X4	72	20	13.2	33	£28.74
AXS100T	Single speed with overrun timer & pullcord	230	X4	72	20	13.6	33	£40.10
AXS100TR	Single speed with overrun timer & remote operation	230	X4	72	20	13.6	33	£40.10
AXS100HT	Single speed with humidistat/timer & pullcord	230	X4	72	20	16.8	33	£72.82
AXS100SVIT	Single speed SELV with overrun timer & pullcord	12	X7	72	20	17.8	33	£90.12
AXS100SVIHT	Single speed SELV with humidistat/timer & pullcord	12	X7	72	20	17.2	33	£112.33

### Physical specification

All measurements in millimetres unless otherwise indicated

**Weight:** 0.54kg

**Materials:** White satin finish  
ABS Plastic

#### Ancillaries for Select 100

- ED1 Easyfix page 48 • Flexiduct page 48
- FF100 Fastfix page 48 • GG42 page 49
- EG1 grilles page 48

### Installation

**Wiring:** Must comply with IEE Regulations

**Cable:** Fixed flat:  $\varnothing$  1.5mm<sup>2</sup> max  
Circular:  $\varnothing$  0.75mm<sup>2</sup> max

**Fuse:** 3 amp normally required (when fan is supplied from a 6A lighting circuit no local fuse is required)

**Exhaust:**  $\varnothing$  100mm

**Electrical specification:** 230V ~ 50Hz Class II

**Consumption:** 14W (AXS100/PC/T/TR)  
17W (AXS100HT)  
18W (AXS100SVIT/SVIHT)

### Performance

