

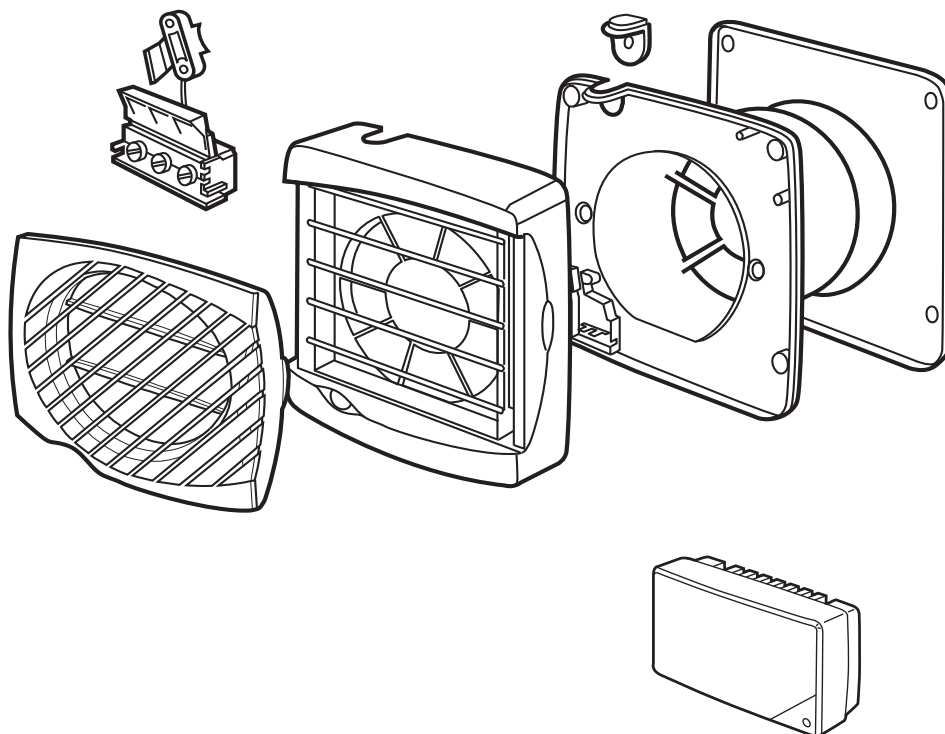
Elite EL100, EL100 SELV, EL150 Axial Fans

Bathroom, Toilets, Utility Rooms and Kitchens
Installation Instructions



Contents

	Page	
1.0	Installation Instructions	3
2.0	Operation	4
2.2	Window Mounting	5
2.3	Wall Mounting	6
2.4	Ceiling Mounting	7
2.5	Wiring Details for Isolator	8
2.6	Wiring Diagrams for EL100/EL150	9
2.7	Wiring Diagrams for EL100 SELV	10
3.0	Sensor / Timer Adjustments	11
4.0	To Clean or Service Fan	11



SELV box for EL100 SELV

1.0 Installation Instructions

1.1 Read all instructions before commencing installations.

- 1.1.1 **Warning:** This appliance can be used by children aged from 8 years and above and persons with reduced physical, sensory or mental capabilities or lack of experience and knowledge if they have been given supervision or instruction concerning use of the appliance in a safe way and understand the hazards involved. Children shall not play with the appliance.
- 1.1.2 Where an open-flued oil or gas-fuelled appliance is installed, precautions must be taken to avoid a back-flow of gases into the room.
- 1.1.3 When installing wall mounted fans, ensure that there are no buried cables or pipes in the way. It is recommended that this fan is mounted >1.8m above floor level.
- 1.1.4 The fan should not be sited where it would be subject to a direct source of heat in excess of 40°C.
- 1.1.5 Observe appropriate safety precautions if working on steps or ladders. Wear eye protection when breaking out wall or window materials, etc.
- 1.1.6 Always isolate fan from mains supply before cleaning. Do not use solvents to clean this fan.
- 1.1.7 Cleaning and user maintenance shall not be made by children without supervision.
- 1.1.8 EL100 SELV fans shall only be installed by using the supplied Safety Extra Low Voltage (SELV) controller.
- 1.1.9 WEEE Statement**
This product may not be treated as household waste. Instead it should be handed to an appropriate collection point for the recycling of electrical and Electronic equipment.
- For more detailed information about the recycling of this product, please contact your local council office or your household waste disposal service.
- 1.1.10 For window mounting do not install fans in opening windows. Use the correct thickness of glass for the size of window (at least 4mm thick) if in doubt, contact a glazier.
- 1.1.11 A clearance of 75mm to be allowed on both sides of fan for the removal of the internal grille.



2.0 Operation

2.1 The Elite range of fans are single and dual speed axial flow extract fans and single speed SELV 12V axial flow fans, designed to exceed Building Regulation requirements for bathroom, toilet, kitchen or utility room ventilation.

Types of controls and operation as follows:

2.1.1 **TYPE EL100, EL100 SELV, EL150**

Operation by light switch, remote switch or remote sensor.

2.1.2 **TYPE 'PC'**

Operation by pull cord.

2.1.3 **TYPE 'T'**

Operation by pull cord, light switch or remote switch.

Integral pull cord will activate the fan for pre-set overrun timer operation. If wired into room light or remote switch the fan will operate whilst the switch is on. Switching off will activate the overrun timer.

2.1.4 **TYPE 'TR'**

Operation by light switch or remote switch.

When wired into room light or remote switch the fan will operate whilst the switch is on. Switching off will activate the overrun timer.

2.1.5 **TYPE 'HTR'**

Automatic operation by light switch or remote switch.

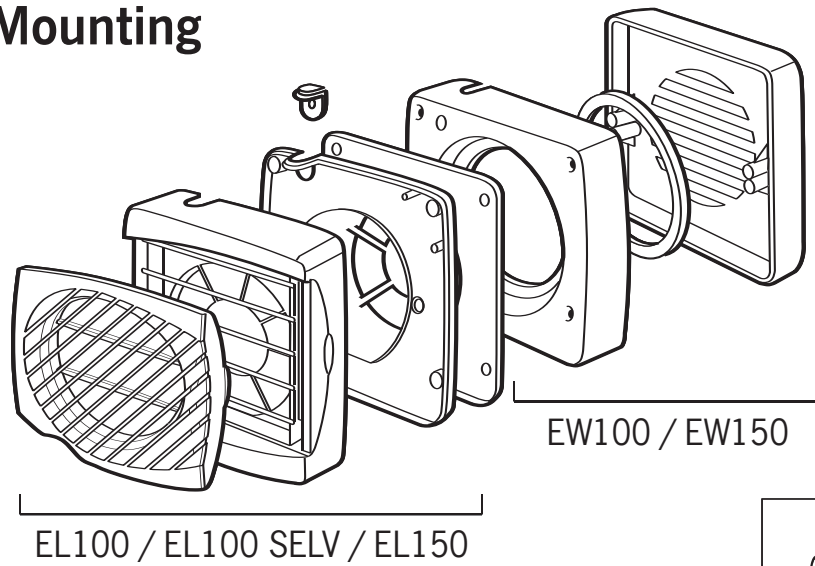
The fans integral humidity sensor will operate the fan whilst the RH exceeds the pre-set activation point, when the RH is reduced back to the activation point the linked overrun timer continues to operate the fan for the pre-set time period to ensure the RH level is further reduced within the room to prevent 'hunting'.

When wired into room light or remote switch the fan will operate whilst the switch is on. Switching off will activate the overrun timer.

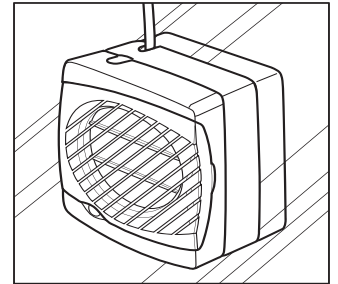
2.1.6 See Sensor / Timer Adjustments section for further details.

2.1.7 **The Elite range of fans are fitted with electrical operated anti-backdraught shutters which have a time delay to open or close.**

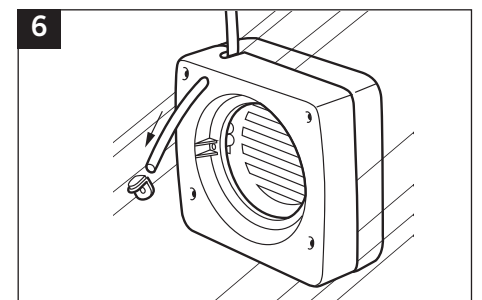
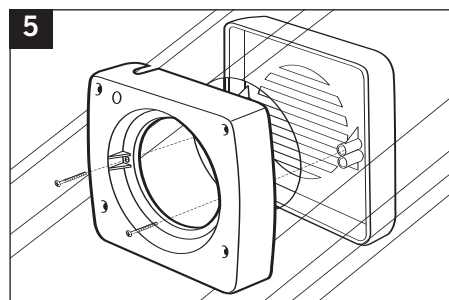
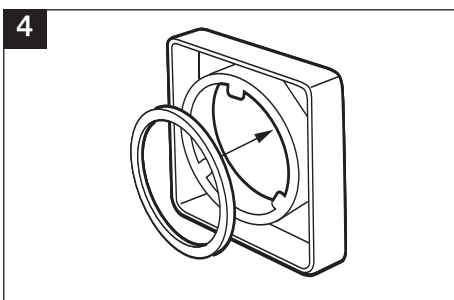
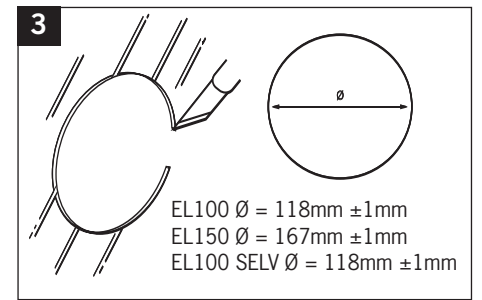
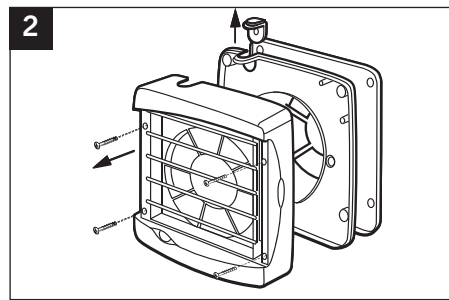
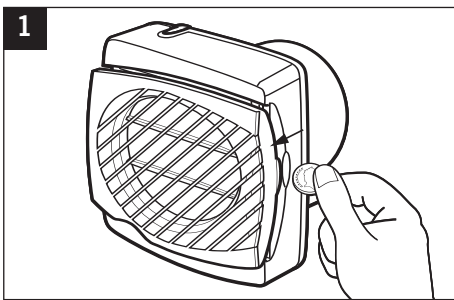
2.2 Window Mounting



2.2.1 For window mounting do not install fans in opening windows. Use the correct thickness of glass for the size of window (at least 4mm thick) if in doubt, contact a glazier.

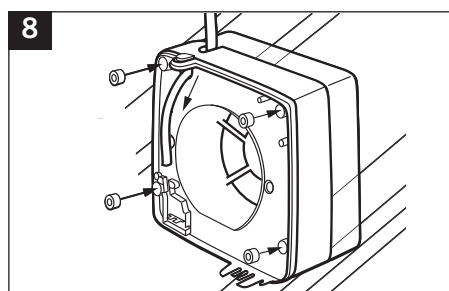
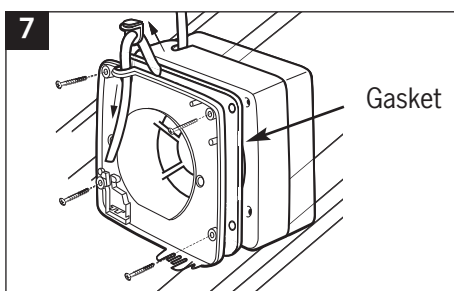


2.2.2 The components supplied are suitable for the installation of fans in windows from 4mm single glaze to 28mm thick double-glazing.



25mm long screws - Single glazing.
38mm long screws - 20mm & 24mm double glazing.
50mm long screws - 28mm double glazing.

Make sure rubber cable grommet is fitted onto cable before threading cable through fan back plate.

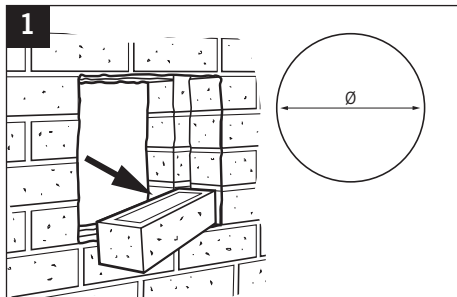
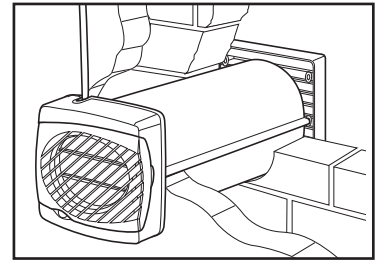
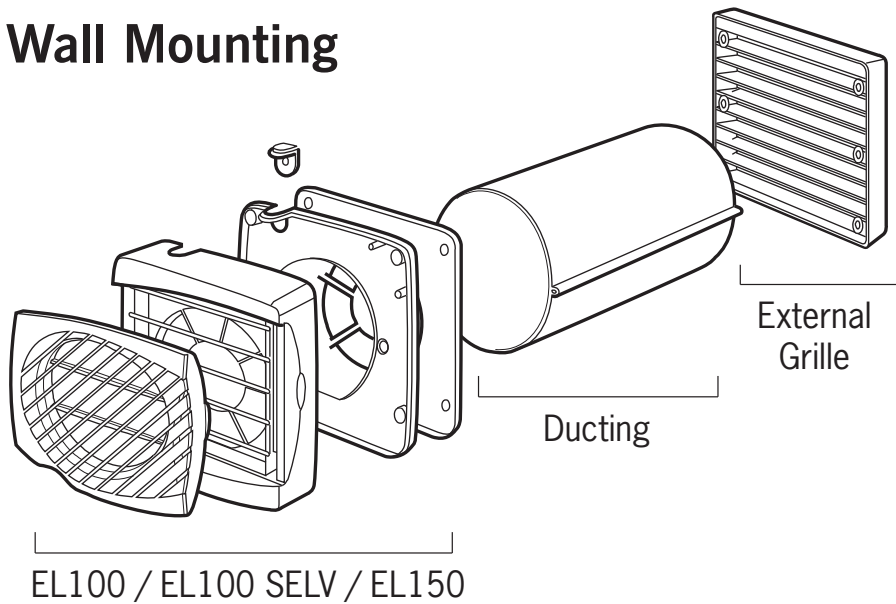


To aid assembly, smear the spigot of the fan or lip of seal with silicone lubricant or silicone polish.

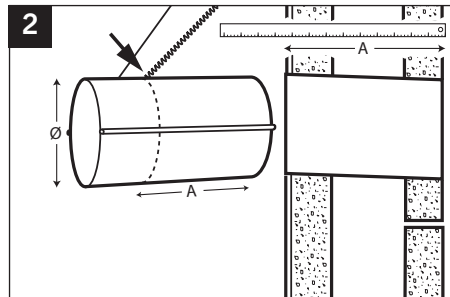
Push fit the four screw cover plugs provided, with hollow end facing outwards.

SEE PAGE 8 FOR WIRING INSTRUCTIONS

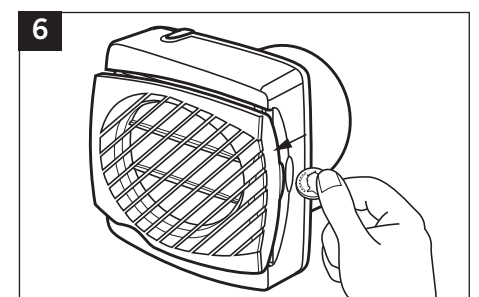
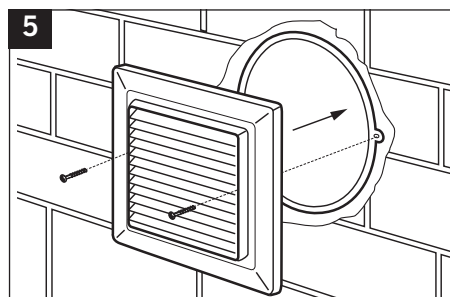
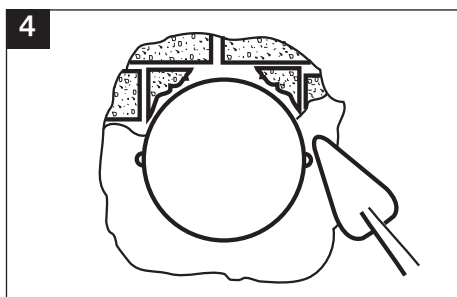
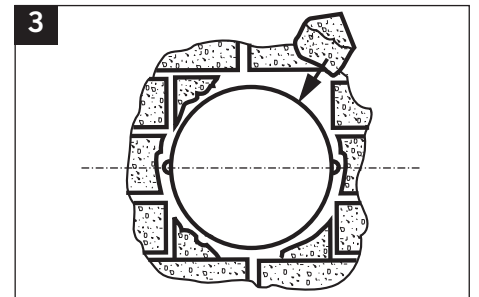
2.3 Wall Mounting



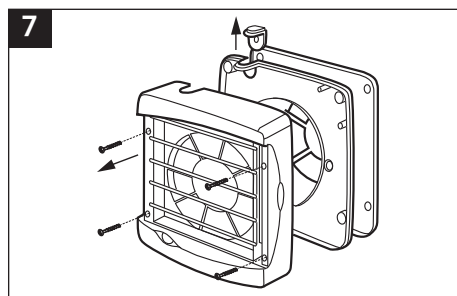
EL100 Ø = 125mm
 EL150 Ø = 180mm
 EL100 SELV Ø = 125mm



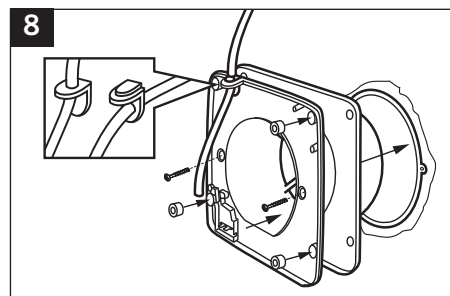
EL100 Ø = 125mm
 EL150 Ø = 180mm
 EL100 SELV Ø = 125mm



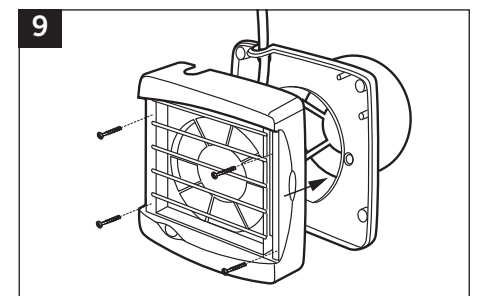
Remove fascia grille using a coin.



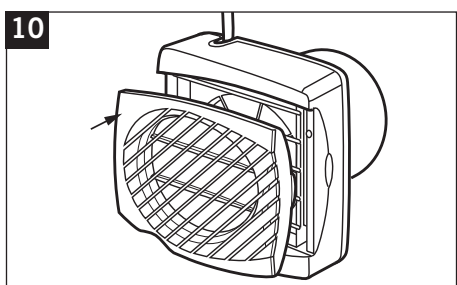
Remove front cover for wiring.



Make sure rubber cable grommet is fitted onto cable before threading cable through fan backplate.



Refit front cover securely.

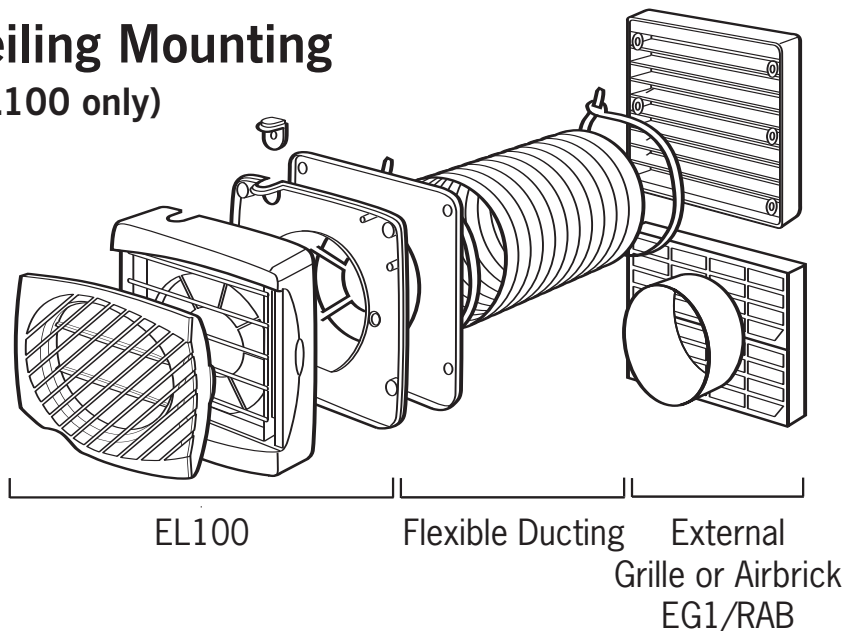


Clip fascia grille into place.

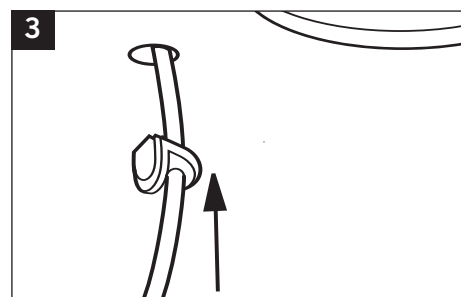
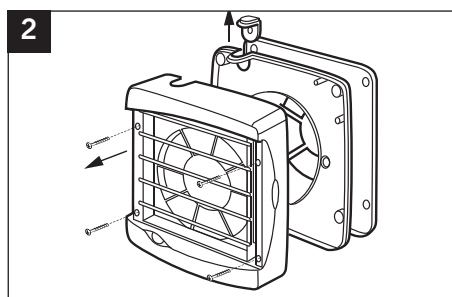
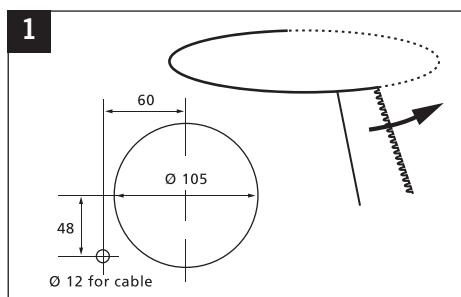
Push fit the four screw cover plugs provided, with hollow end facing outwards if fixing to wall using outer mounting points.

SEE PAGE 8 FOR WIRING INSTRUCTIONS

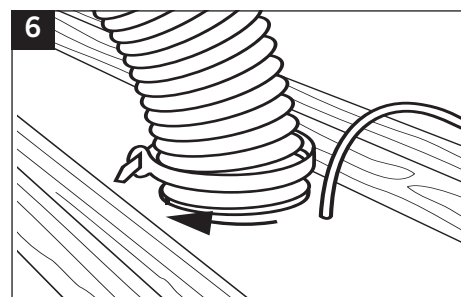
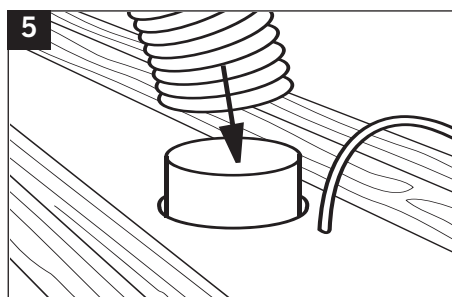
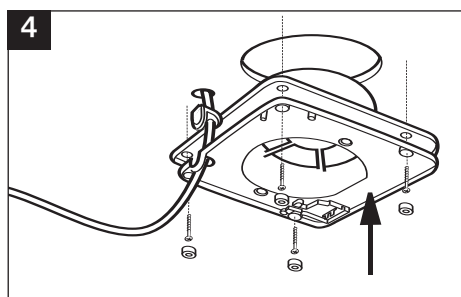
2.4 Ceiling Mounting (EL100 only)



- 2.4.1 Cut an opening through the ceiling for the fan and electrical cable.
- 2.4.2 Feed cable through ceiling then through back face of rubber sealing grommet in fan back plate. Screw back plate to ceiling using No. 6 screws.
- 2.4.3 Fit duct (max length 2.5m) and external grille / baffle for soffit or wall application, making sure duct has a slight fall to exterior.

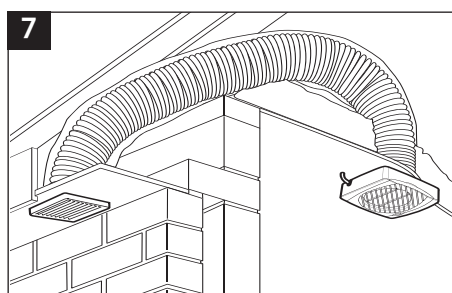


Make sure rubber cable grommet is fitted onto cable before threading cable through fan back plate.

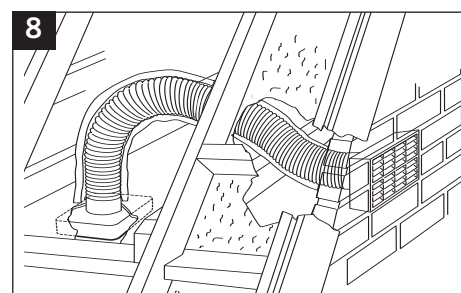


Screw back plate to ceiling. Push fit the four screw cover plugs provided, with hollow end facing outwards if fixing to wall using outer mounting points.

SEE PAGE 8 FOR WIRING INSTRUCTIONS

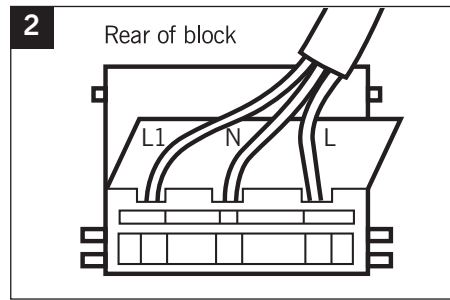
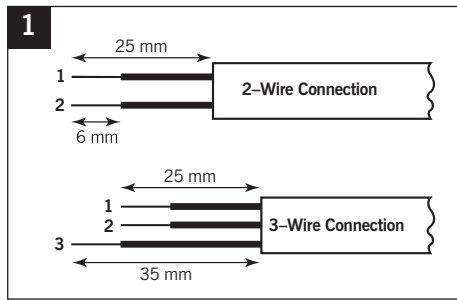


Do not terminate via a tile vent.

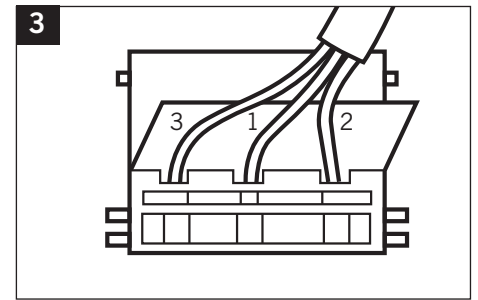


Do not terminate via a tile vent.

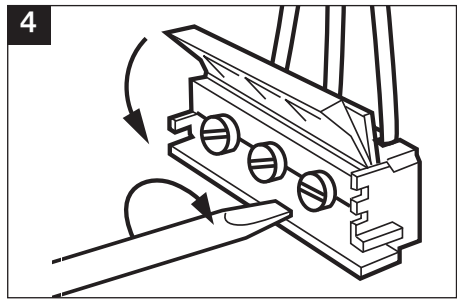
2.5 Wiring Details for Fan Isolator Only



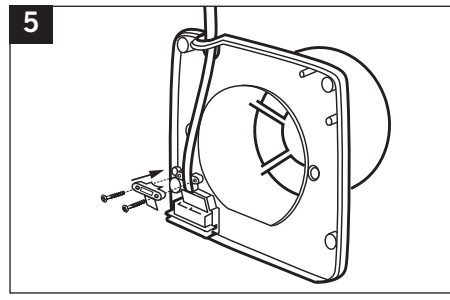
EL100/EL150



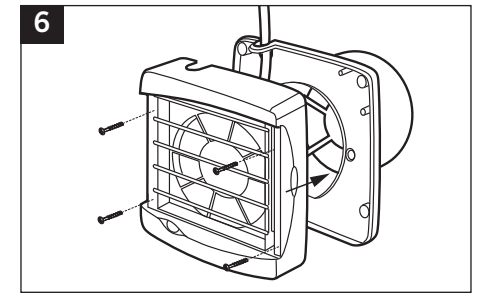
EL100 SELV



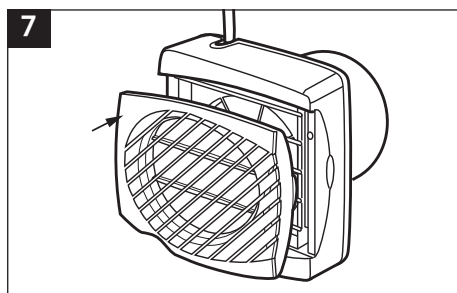
Tighten screws and close protective cover.



Put the wiring connector into its location, fix into place with screw and secure cable using the supplied cable clamp & screws.



Refit front cover securely.



Clip fascia grille into place.

2.6 Wiring Diagrams for EL100/EL150

Installation or disconnection must be carried out by a qualified Electrician and all wiring must conform to IEE Wiring or local regulations.

Isolate electricity supply before starting work.

The fans are double insulated and do not require an earth connection.

for single units use 3 amp fuse.

When supplied from a 6 amp lighting circuit no local fuse is required.

Specification:

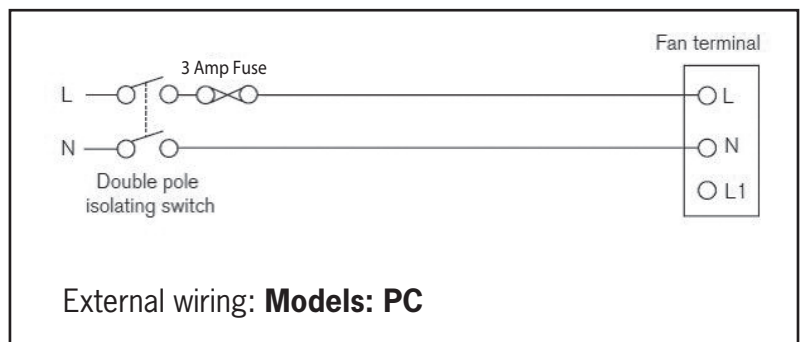
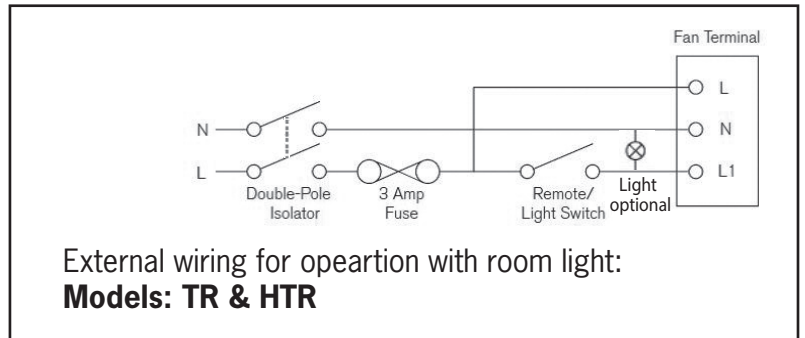
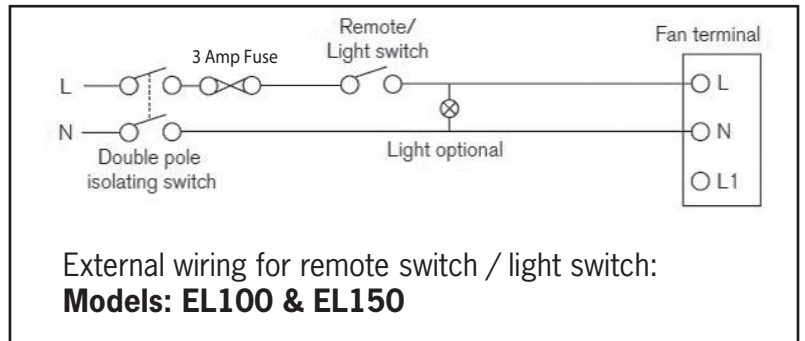
☐ 230 V ~ 50Hz

Refer to fan rating label for watts consumption.

Cable sizes: 2 or 3 core.
0.75 mm² and 1.00 mm² flexible.

INSTALLATION IN AREAS REQUIRING IPX4 PROTECTION:

Mains cable section should be round, with an outside diameter between 5.5 mm to 8.5 mm. This will ensure sealing at the cable entry grommet.



2.7 Wiring Diagrams for EL100 SELV

Installation or disconnection must be carried out by a qualified Electrician and all wiring must conform to IEE Wiring or local regulations.

Isolate electricity supply before starting work.

The fans are double insulated and do not require an earth connection.

SVI 12V CONTROLLER

Install SELV controller, using the two fixing holes, in a suitable location outside of the room where the EL100 SELV fan is installed.

The location should be as such that air can circulate around the SELV controller and it should never be covered.

The distance between the fan and SELV controller should be kept to a minimum and ideally not greater than 3.0 m.

A double pole isolating switch with a minimum contact gap of 3 mm should be used in series with each fan.

For single units use 3 amp fuse.

When supplied from a 6 amp lighting circuit no local fuse is required.

TO WIRE THE CONTROLLER:

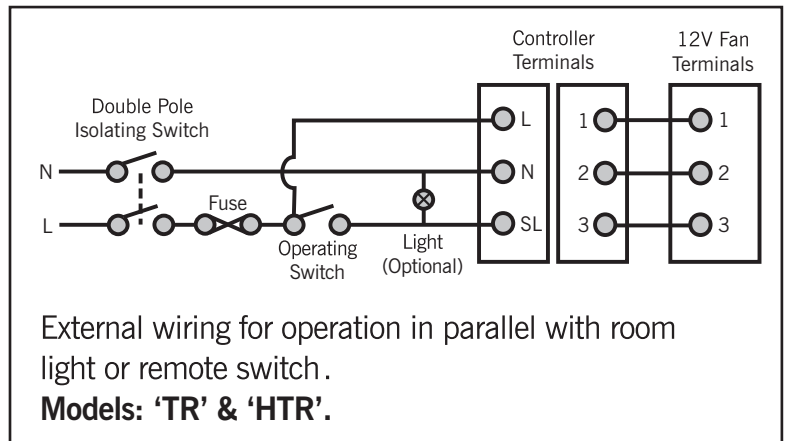
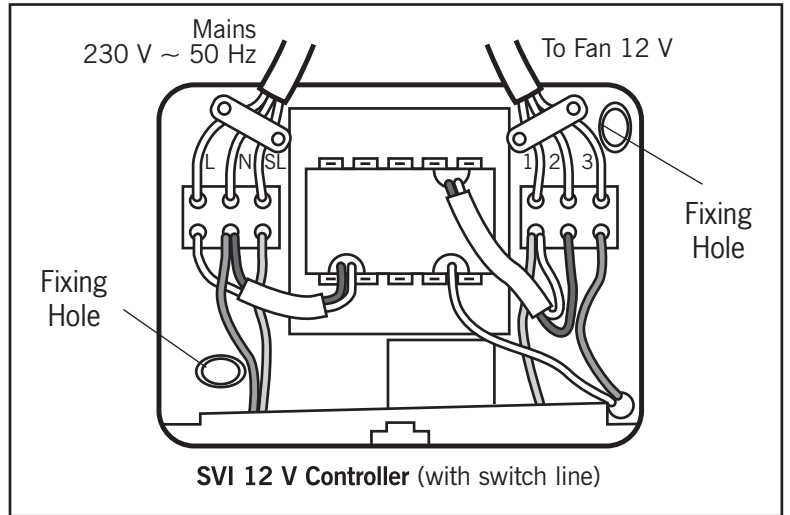
Remove the electrical cover.

Make all connections to connector blocks.

NOTE: Mains cable must be fixed back to the wall using appropriate cable cleats.

Replace electrical cover.

NOTE: Do not fit more than one fan to the controller or connect with any other product.



Specification:

SELV box □ 230 V~50Hz

Fan ◇ 12 V~50Hz

Refer to fan rating label for watts consumption.

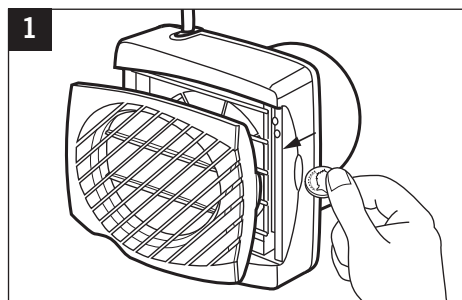
Mains Cable sizes: 2 or 3 core.
0.75 mm² and 1.00 mm² flexible only.

Maximum cable length between fan and controller:

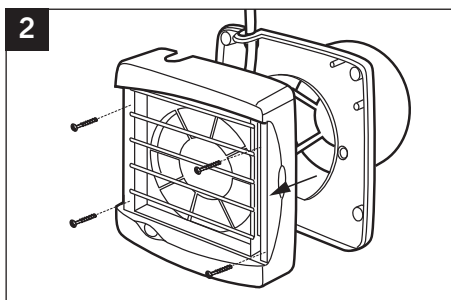
Conductor Size	Maximum Length
0.75 mm ²	2.3 m
1.00 mm ²	3.0 m

3.0 Sensor / Timer Adjustments

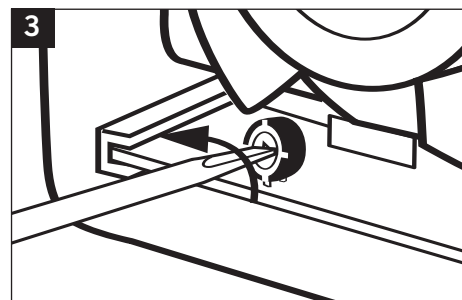
To be carried out by a suitably qualified/technically competent person.



Remove fascia grille using a coin.

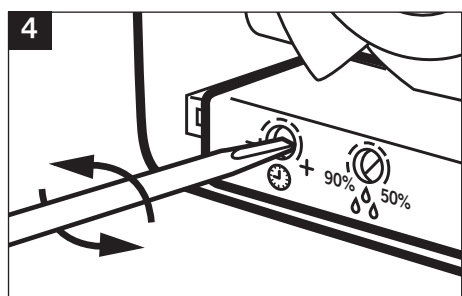


Remove front cover to access the respective timer or humidity sensor controls.



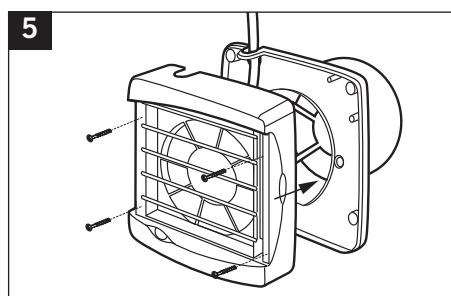
Model: T only

To adjust timer, rotate clockwise to increase and anti-clockwise to decrease time.

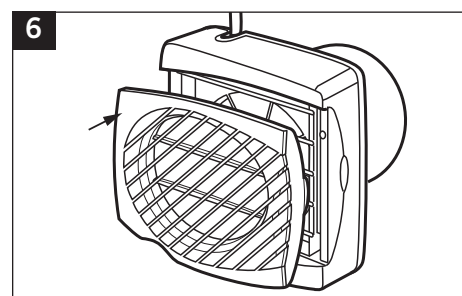


Model: HTR only

To adjust sensor controls, rotate clockwise to increase and anti-clockwise to decrease time or humidity sensor sensitivity.



Refit front cover securely.



Clip fascia grille into place.

4.0 To Clean or Service Fan

- 4.1.1 Always isolate fan from mains supply before cleaning. Do not use solvents to clean this fan.
- 4.1.2 Cleaning and user maintenance shall not be made by children without supervision.
- 4.1.3 To clean front grille, lever off at side using a coin or screwdriver, clean grille and ensure it is dry before locating back into position.
- 4.1.4 To clean or service the main body, remove grille, under screws exposed by removal of grille and pull the fan away from its back plate, clean and ensure it is dry before reassembly. For EL150 models, cleaning or servicing must be carried out by a suitably qualified/technically competent person.
- 4.1.5 The fan may now be cleaned using a brush or damp cloth. do not immerse in water.
- 4.1.6 **WARNING: On no account should the interior of the fan be cleaned until the unit has been removed from its back plate or isolated from the mains.**

All information is believed correct at time of going to press. All dimensions referred to are in millimetres unless otherwise shown. E&OE.

All goods are sold according to Zehnder Group UK Ltd's Standard Conditions of Sale which are available on request. See website for warranty period details.

Zehnder Group UK Ltd reserves the right to change specifications and prices without prior notice. © Copyright Zehnder Group UK Ltd 2018.

Zehnder Group UK Limited

Watchmoor Point, Camberley,
Surrey, GU15 3AD

Customer Services: +44 (0) 1276 408404
Technical Services: +44 (0) 1276 408402
Email: info@greenwood.co.uk
Web: www.greenwood.co.uk

