

Centair CMEV.4e

The Centair CMEV.4e is a central extract unit designed to enable better and easier specification of ventilation in new properties. It contains features such as its incredibly low specific fan power and compact size to provide a low running cost and space saving installation.



GS2

Key Features

- Specific Fan Power of just 0.16w/l/s.
- 5 individual 125mm extract spigots available.
- Compact design.
- Versatile installation to wall, ceiling or floor.
- Light to handle.
- 100% variable speed motors for precise commissioning.

SAP PCDB Test Results

	SFP (W/l/s)	
	2009	2012
K+1	0.17	0.17
K+2	0.16	0.16
K+3	0.17	0.17
K+4	0.18	0.18
K+5	0.22	0.22
K+6	0.24	0.24

SEC Class



Based on average climate with local demand control



Based on average climate with central demand control

Article Numbers

Description

Product Code

Centair CMEV.4e for wall, floor or cupboard mounting

CMEV.4e

Controls, two position switch for Vireo and Centair range

GS2

Controls, remote air quality sensor

AQR

Controls, remote humidity sensor

HHRW

Controls, remote passive infra-red movement sensor

PIRR

Controls, remote temperature sensor

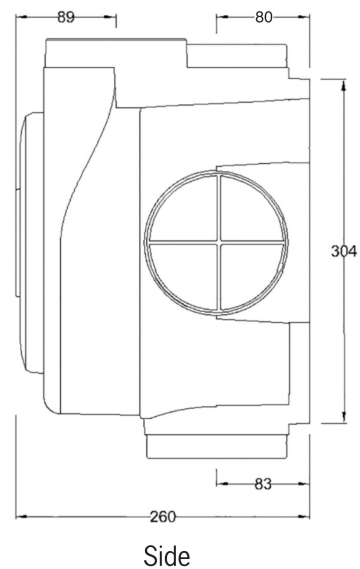
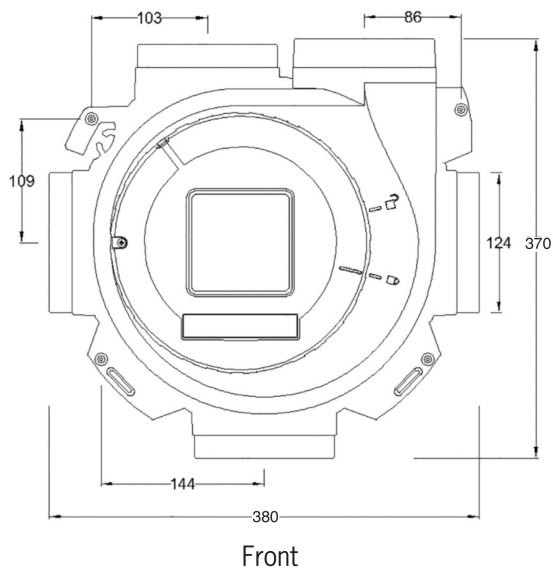
THR

Technical Specification

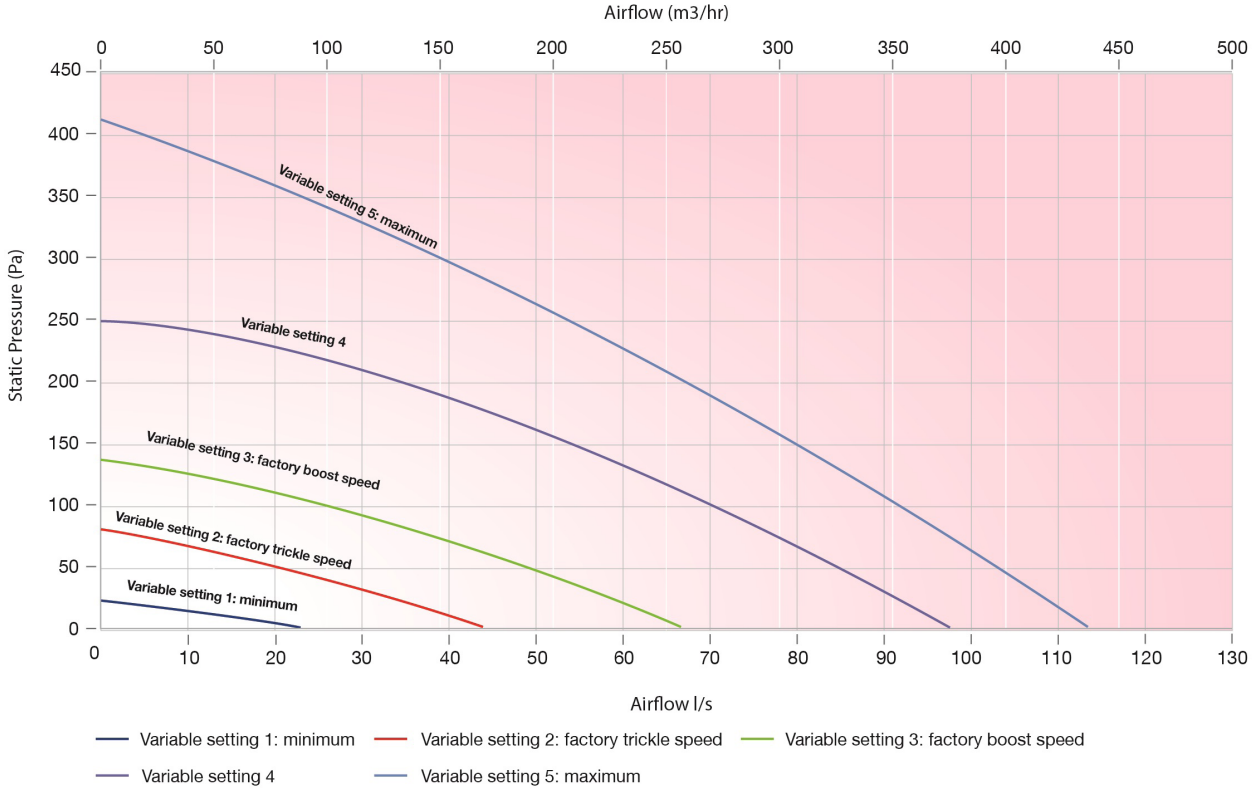
Weight	3.8 Kg
Ducting ø	125 mm
Number of extract spigots	5
Materials	High grade polypropylene
Supply voltage	230V / single-phase / 50Hz
Maximum power consumption	38 W
Current draw	0.5 amp
Fuse rating	3 amp
Specific Fan Power	0.16 W/l/s

Dimensions

Height	260 mm
Width	381 mm
Depth	371 mm



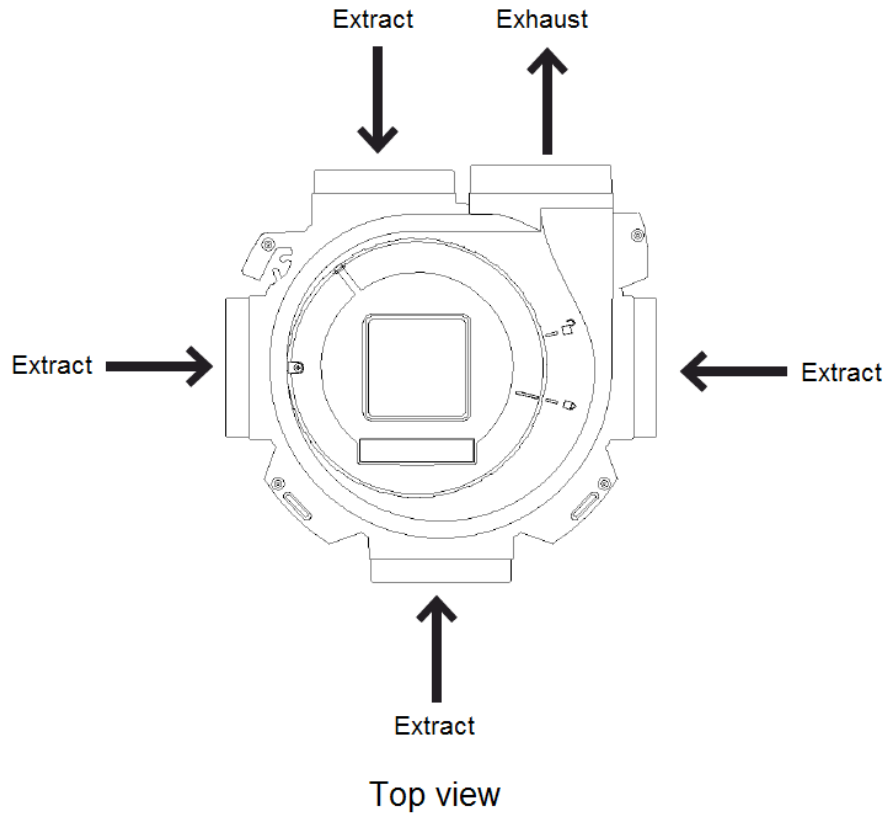
Pressure Curve



Sound Data

Setting	Test Area	Octave Band (Hz) Sound Power Level, dB							dB(A)@3m
		125	250	500	1000	2000	4000	8000	
1	Casing	29.6	17.9	16.1	12.7	13.9	18.6	25.2	8.7
	Extract	26.8	15.4	12.9	11.5	12.6	18.5	25.1	
2	Casing	32.9	34	25.1	17.6	15.2	18.6	25.2	13.0
	Extract	37.7	34.1	26.5	17.2	13.5	18.5	25.1	
3	Casing	39.9	42.7	40.6	29.5	26.2	19.9	25.3	22.8
	Extract	44.3	43.2	41.5	29.4	23.8	19.7	25.1	
4	Casing	42.9	49.2	50.5	43.7	35.8	27.2	26.4	31.5
	Extract	50.7	50.7	48.1	42.9	35.9	29.1	26.3	
MAX	Casing	45.1	49.9	48.5	48.5	40.1	33	28	33.7
	Extract	50.2	56	50.8	47.4	40.4	35.7	29.4	

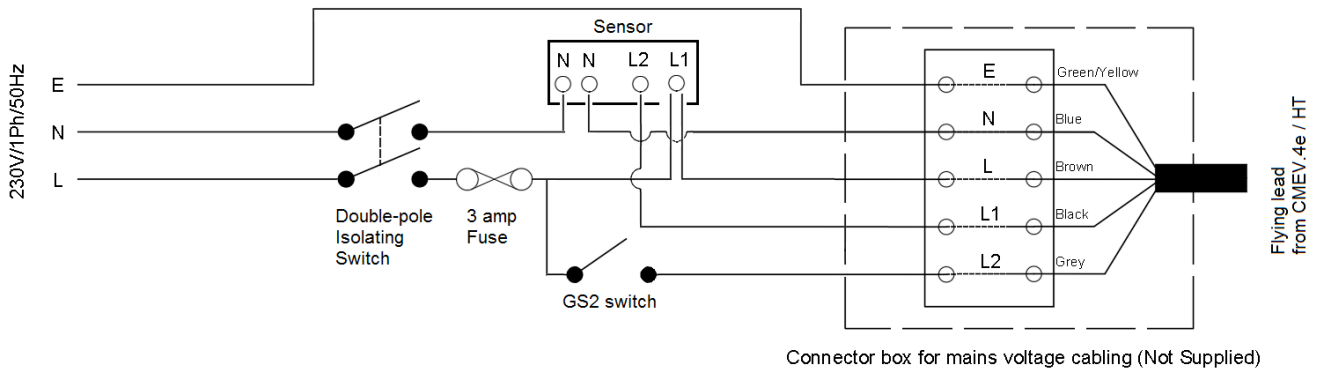
Air Direction/Connection



Wiring

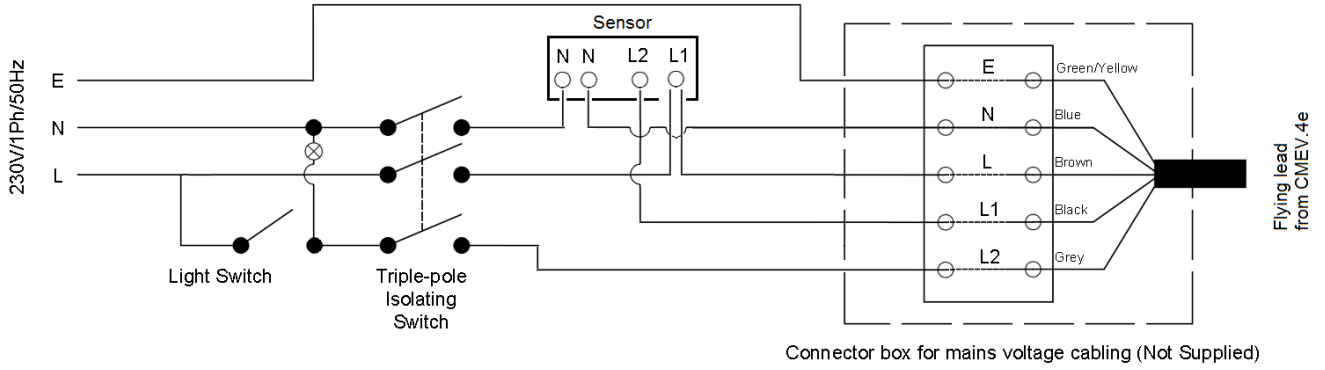
Electrical connections should be carried out in accordance to IEE regulations by a qualified electrician. The unit is supplied with a flying lead for connection to the mains supply.

Two speed control via GS2 switch and medium speed activation via remote sensor

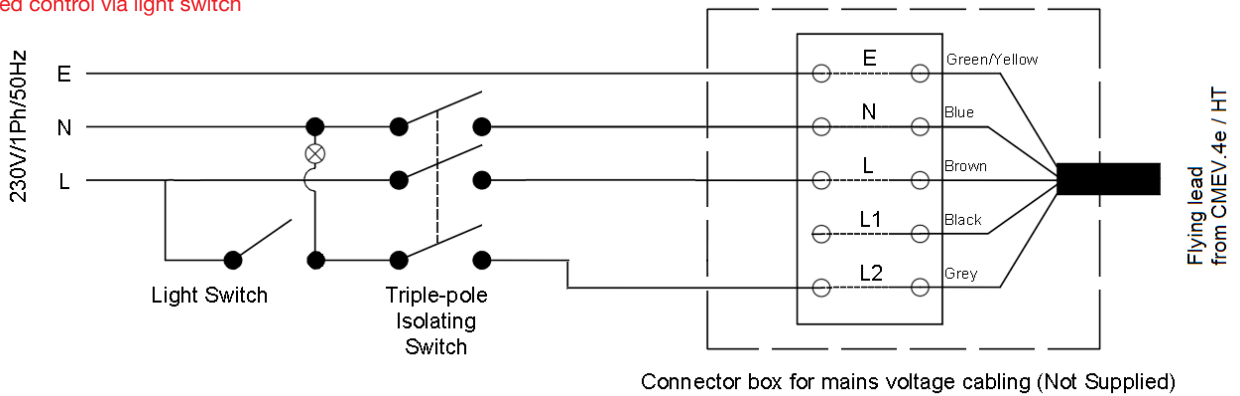


Wiring

Two speed control via light switch and medium speed activation via remote sensor



Two speed control via light switch



Consultant Specification

Specification

The unit shall consist of a body manufactured in high grade polypropylene. It shall have EC low energy motors with sealed for life bearings. The fan shall have a backward curved centrifugal impellor.

The unit shall have multiple 125mm diameter extract connections and a single 125mm diameter exhaust connection for direct connection with standard ducting. It shall be suitable for vertical or horizontal orientation to wall, floor or ceiling.

The unit shall be constructed to enable fitting via a single corner fixing to allow easy alignment for remaining fixings. The unit shall be constructed to have a removable fan assembly to allow full maintenance access.

The unit shall conform to LVD and EMC standards and be CE Marked in addition to having an EU compliant energy rating label (SEC) with a minimum grade of D. The unit shall be manufactured by Zehnder.

Operation

The extract unit shall be a Centair manufactured by Zehnder and shall be suitable to mount on a wall, floor or ceiling in accordance with the specification.

The unit shall vary its speed of the EC motors automatically when it receives a signal from external sensors in combination with external switches.

The unit shall incorporate electrical connections to allow for the signal from a switched live 230V contact to vary its speed.

The unit shall have the ability to adjust and commission the extract motor via the front mounted in-built speed pots. The unit shall offer 100% variable speed control on both the low and high speeds.

Controls

All Centair units shall contain the following functions within the unit pre-wired and factory fitted by the manufacturer:

- 100% variable extract motor control
- Variable low and high speed flow rate set point
- Switched live input

zehnder
always the
best climate