

## COOKING



### MULTI FLEXI SPACE

With the Multi Flex Space design, you have more space available both in length and width when using large pots. You can slide the pans from one burner to another without lifting them.



### DUAL BURNER

The Dual Burner, is ideal for small or large pans. The innovative burner features a double crown with independent ignition of each burner, so perfect for both a small coffee pot or a large pan.



### BRIDGE ZONE

This function lets you merge 2 adjacent cooking zones, maintaining a uniform, constant temperature, even when using very large pans.



### CHILD LOCK

The Child Lock function prevents the hob's cooking zones or extraction being turned on accidentally.



### TEMPERATURE MANAGER

Your dishes will always be cooked at the perfect temperature when you use this function that lets you set the hob with 3 programmes (42, 72 or 92 degrees). The temperature settings have been optimised for both very delicate cooking (mousses, sauces, keeping dishes warm) as well as cooking at high power (boiling).



### POWER LIMITATION

When you do not have a powerful enough electricity supply available you can set the Power Limitation during installation to limit the maximum power absorbed by your hob.



## COOKING



### TIMER

Forget about cooking times by turning on the timer. Just set the minutes and start the countdown. At the end, the cooking zone will automatically switch off and a beeper will sound. You can set independent timers on more than one zone at the same time.



### KEEP WARM

The Keep Warm function keeps dishes that have just been cooked warm or re-heats a dish that has gone cold. This is useful if you cook at one time but want to eat at a different time. The Keep Warm function can be enabled for any zone.



### STOP&GO

If you are interrupted whilst cooking, or you have to go into another room, or you just want a break, with just a single touch of the Stop&Go button you can switch off all the cooking zones and walk away with complete confidence and safety.



### PAUSE & RECALL

With Pause & Recall, you can switch off all the cooking areas with one single gesture and then, restart them with a simple press of a button at the same previously set power.



### POT DETECTOR

With Pot Detector, the hob automatically detects the presence of the pot on the cooking area and provides heat only when it is correctly positioned.



### DUCT SIZE

It is essential that the correct (or larger) size of ducting is used otherwise the performance will be significantly affected and the noise increased. Increasing the length and the number of bends in ducting will significantly reduce the airflow.



### MINIMUM HEIGHT - GAS HOB

The minimum height above the top of the pan supports of a gas hob that the hood can be installed. This is subject to the installation instructions produced by the hob manufacturer which should be checked before any design is finalised.



### MINIMUM HEIGHT - ELECTRIC HOB

The minimum height above the top of the pan supports of an electric hob that the hood can be installed. This is subject to the installation instructions produced by the hob manufacturer which should be checked before any design is finalised.

## OPERATION AND MAIN ADVANTAGES

Quality of air has always been key to Elica's products. NikolaTesla extractor-hobs incorporate the very best technology to ensure high-performance and the best extraction of fumes and of odours.

### HIGHEST EXTRACTION SPEED

All the NikolaTesla models have the highest extraction speed on the market at 5.1 m/s so they can capture all the fumes and odours as they start to rise for the best efficiency and performance available.



### MORE SPACE FOR DRAWERS

The product has been designed to optimise the internal space of the cabinet. The adjustable outlet duct which sits flush at the rear of the cabinet makes room for deeper and more spacious drawers to store food or kitchen utensils.



### SMART SENSORS AND THAT'S ALL YOU NEED TO KNOW

The innovative Airmatic function involves the use of smart sensors which are able to detect the quantity and quality of the fumes produced and to set the most suitable extraction power accordingly.

### SELF-ADJUSTING EXTRACTION

With Autocapture, you can concentrate on your recipe and leave the hob to automatically adjust the extraction speed based on the number and power of the cooking zones being used.

### FAST AND EASY TO CLEAN

The smooth, seamless surface of NikolaTesla is one of the innovative features of the new generation of Elica extraction hobs. The seamless ceramic glass is an elegant design detail that also makes short work of cleaning.



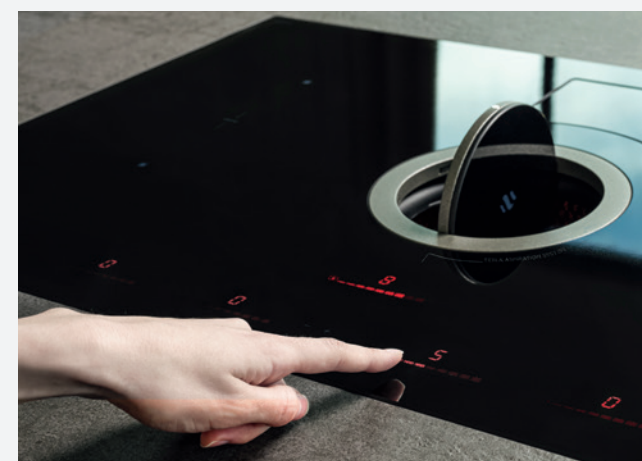
### PRACTICAL MAINTENANCE

Beauty is combined with practicality when it comes to maintenance as well. The system, patented by Elica, allows the grease filters and the ceramic odour filters used by recirculating models to be removed from above. The large opening with its stylish cover means the spillage compartment can be washed easily and safely.



### INTUITIVE AND USER-FRIENDLY INTERFACE

Elica extractor hobs feature a simple and intuitive interface to allow you to enjoy the pleasure of cooking every day. The touch control panel allows the cooking areas and hood to be controlled separately and, in standby mode, it becomes totally invisible. Controlling cooking has never been so easy and convenient.



### IMPROVED ODOUR FILTERING CAPABILITY

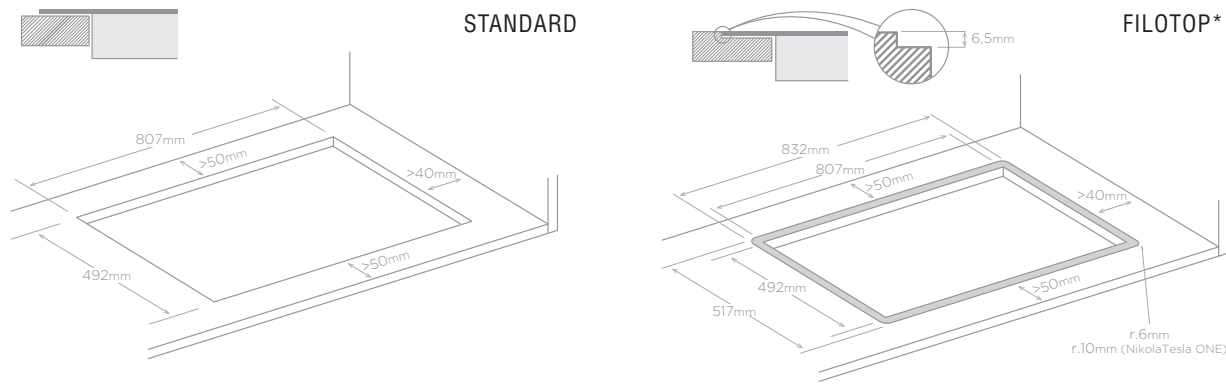
The recirculating models in the NikolaTesla range feature a ceramic filter with a very high odour purification efficacy of over 82% compared to a market average of 60%. It can be regenerated for up to 3 years simply by putting it in the oven at 200°C for 45 minutes every 2 to 3 months which makes it both environmentally friendly and very cost effective.



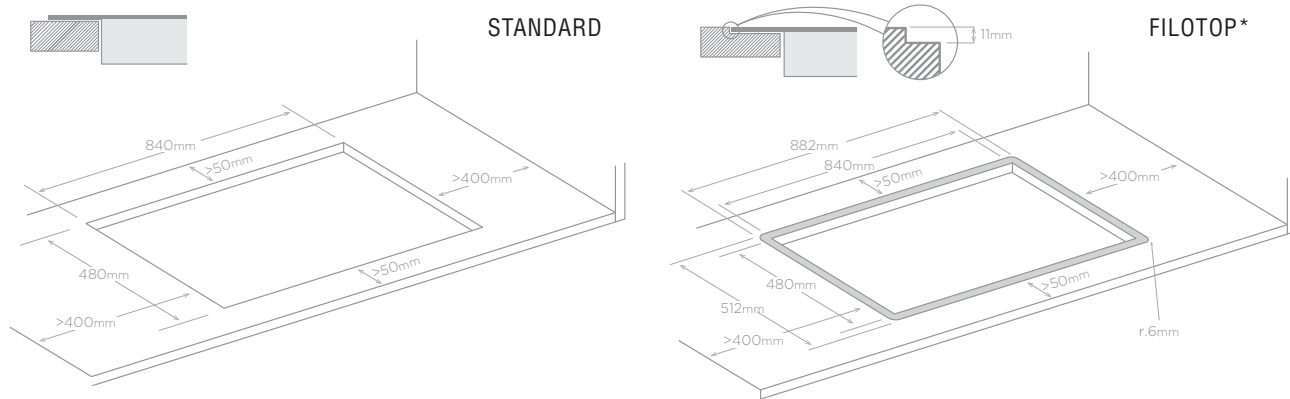
Nikola Tesla has been designed with the greatest flexibility to suit a huge variety of kitchens. The recirculating version comes complete with every component usually needed for installation including the unique chrome outlet grill for the plinth. For the duct out version a wide range of ducting is available to suit all installation requirements.

Nikola Tesla can be installed on the counter top or flush fitted with the counter top.

### NIKOLATESLA LIBRA / ONE / PRIME / SWITCH



### NIKOLATESLA FLAME



\* Recommended filotop dimensions: for different tolerances, respect the actual dimensions of the glass. FOR FURTHER INFORMATION, CONSULT THE PRODUCT INSTALLATION MANUAL.

By opening the cover, you can remove the high performance ceramic filters (Regeneratable) and empty the split liquid collector that protects the motor in the case of even large spillages.



The drain valve ensures cleaning up of even large spillages is easy.

Thanks to the wide range of ducting available your NikolaTesla can be installed in the way that best suits your needs.

### NIKOLATESLA STANDARD RE-CIRCULATING MODELS \*



### NIKOLATESLA STANDARD DUCT-OUT MODEL \*



\* All images are samples installation

## EXCELLENCE IN SMALL SPACES

Small spaces are becoming more and more widespread in homes now which is why multi-functional products, capable of optimising space, are excellent solutions.

Designed to meet the exacting needs of those unwilling to renounce excellence even in small spaces, NikolaTesla Fit is the first induction hob with integrated extraction that can also be installed in 60-cm wide base units with an overall width area of 60 or 72 cm.



### ELEGANT AND FUNCTIONAL DESIGN

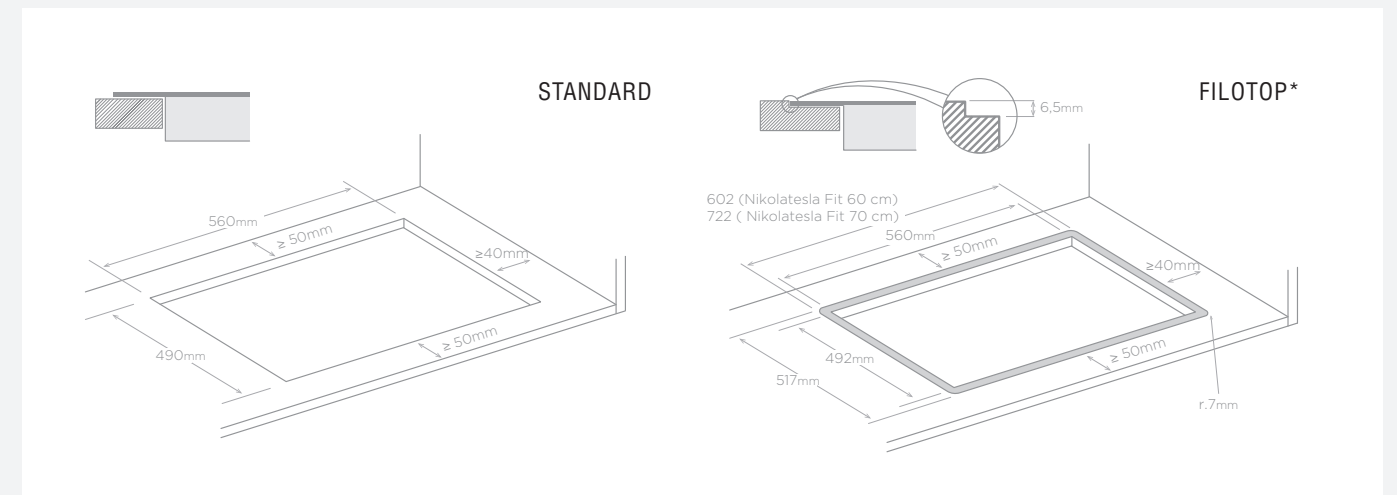
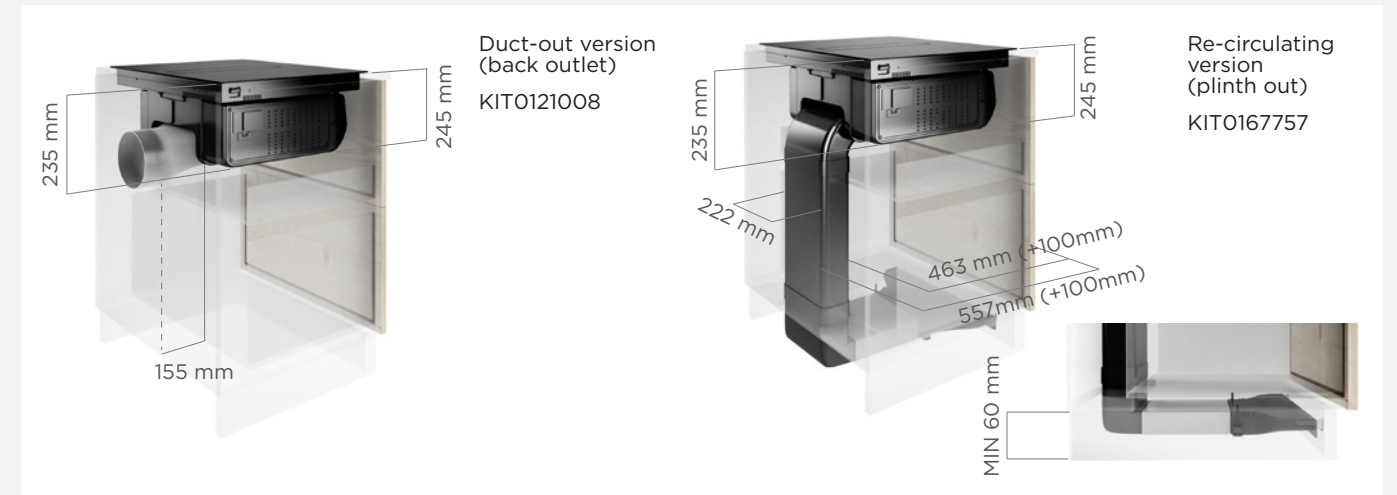
Rotate the central panel to activate the extraction in a perfect combination of style, comfort and functionality. The compact dimensions and shape have been designed to leave space in the cabinet and total freedom of movement on the hob with pans of any kind. The heart of this efficient and silent extraction unit is totally concealed by the glass top which covers the product discretely and elegantly.



### SIMPLE CLEANING AND MAINTENANCE

NikolaTesla Fit is designed to be really easy to clean and maintain. The fully linear ceramic glass surface makes cleaning very quick and easy. The central aesthetic element can be removed and washed. It is also the access point for extracting the filters and carrying out maintenance. The inner compartment can be accessed in complete safety and any excess liquid can be removed thanks to a special drain valve.

## FULL INSTALLATION FLEXIBILITY



\* Recommended filotop dimensions: for different tolerances, respect the actual dimensions of the glass. FOR FURTHER INFORMATION, CONSULT THE PRODUCT INSTALLATION MANUAL.



## ACCESSORY PIPE FITTINGS FOR DUCT-OUT VERSION



222x89x1000 mm  
KIT0120991



Ø150x500 mm  
KIT0120996



Ø150x1000mm  
KIT0121000



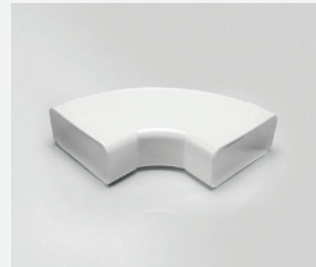
227x94x80mm  
KIT0121001



15° 227x138x94  
KIT0121002



Ø158x59mm  
KIT0121003



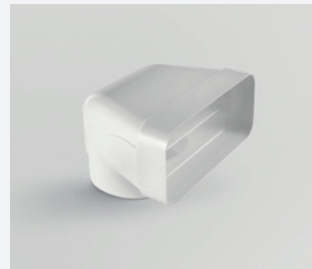
90° 227x288x94mm  
KIT0121004



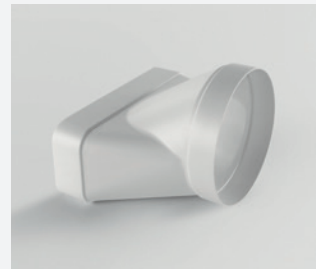
90° 227x94mm  
KIT0121005



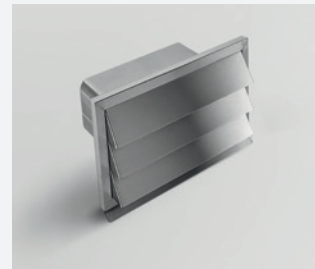
90° - Ø157  
KIT0121006



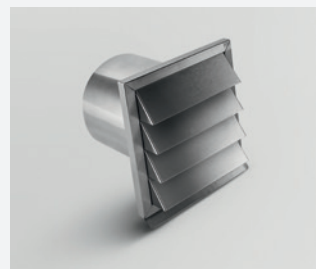
227x94 - Ø146mm  
KIT0121007



227x94 - Ø153mm  
KIT0121008



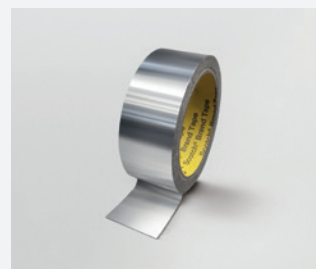
int 216x82 / est 290x160 mm  
KIT0121009



190x190 - Ø147mm  
KIT0121010



227x94 mm  
KIT0126810



50 mm x 25 m  
KIT0161453

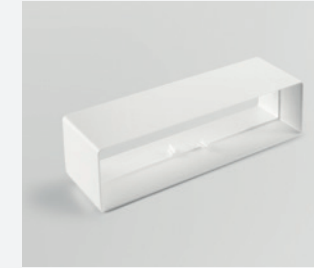
## ACCESSORY PIPE FITTINGS FOR RE-CIRCULATING VERSION



218x55x500 mm  
KIT0121012



218x55x1000 mm  
KIT0121013



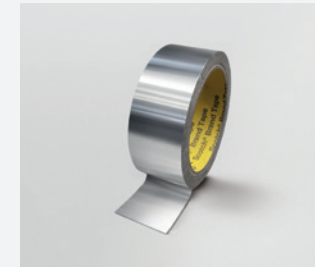
218x55x70 mm  
KIT0121015



90° 218x55 mm  
KIT0121016



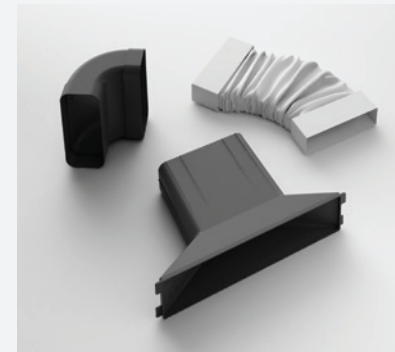
218x55 mm  
KIT0121017



50 mm x 25 m  
KIT0161453



Deflector under plinth  
KIT0168750



KIT0140820  
NikolaTesla filter kit for base depth > 70 cm

Available for  
NIKOLATESLA SWITCH  
NIKOLATESLA ONE  
NIKOLATESLA PRIME  
NIKOLATESLA FLAME  
NIKOLATESLA LIBRA



KIT0167757  
Re-circulating kit plinth-out

Available for  
NIKOLATESLA FIT