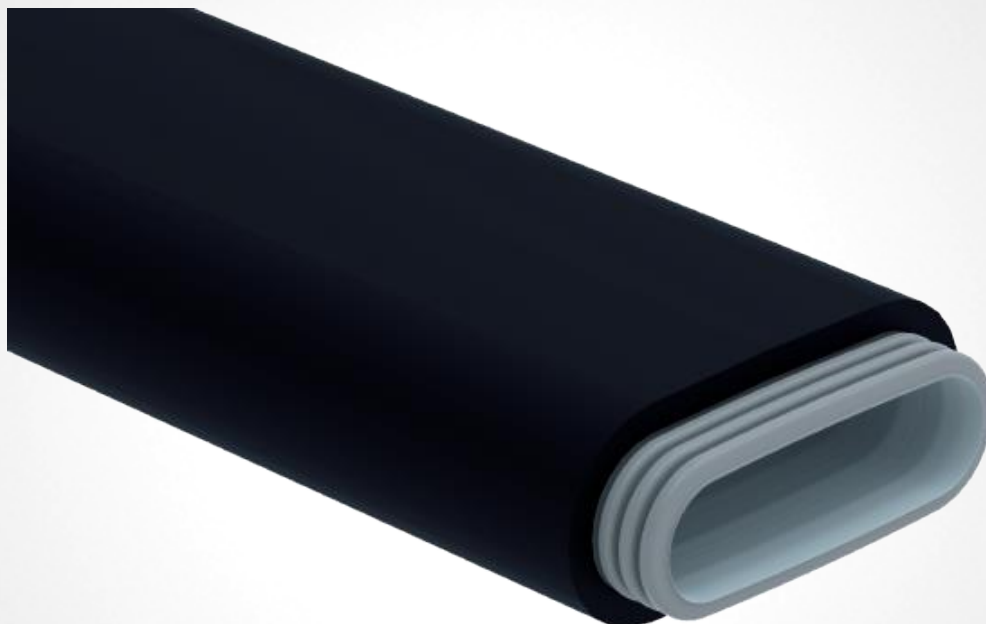


# ComfoTube Therm Flat 51

Insulated semi-rigid ductwork



# ComfoTube Therm Flat 51

The Zehnder ComfoTube Therm Flat 51 is a high performance insulated oval shaped semi-rigid ductwork ideal for residential applications. The low profile and thermal properties make it the ideal ductwork for use with the Zehnder range of climate conditioning devices such as ComfoClime and ComfoPost in small ceiling voids. The clinside smooth internal lining help to reduce build up of dust and enable the ductwork to be cleaned, this has helped the ductwork achieve a hygiene certificate from the Hygiene Institute. The ductwork was also one of the first to be fully accredited and listed on the PCDB.

The ductwork can be installed much faster than conventional ductwork with a reduced number of connections helping to reduce any potential air leakage within the system. The oval O-rings and locking slides also help to prevent the ductwork being disconnected during first fix and maintain an airtight seal. End caps are also provided to prevent dust ingress during first fix to maintain a hygienic system.

A variety of manifolds, insulated EPP connections, ancillaries and terminations can be used with the ductwork in addition to a wide range of decorative grilles.



## Key Features

- Low temperature loss and prevention of condensation when transporting tempered air
- The non-glued insulation offers flexibility during insulation and cutting
- No thermal bridges thanks to the insulation being optimally sized to fit against the connectors
- Wide range of EPP insulated connectors
- Easy and quick to install
- Airtight
- Extremely low profile, ideal for small voids
- Sound-optimised inner skin to ensure extremely quiet air flow
- High-quality food-grade plastic (PE)
- Fully accredited and listed on the PCDB
- Low pressure losses
- Easy to clean
- Corrosion resistant
- Lightweight and easy to handle
- No sealant or tape required
- Wide range of manifolds and grille termination options

## Article Numbers

Description	Product Code
<b>Ductwork</b>	
Zehnder ComfoTube Therm insulated Flat 51, 138 x 51mm, 10m roll	990 328 032
<b>EPP ancillaries</b>	
Zehnder ComfoFit Therm insulated Flat 51, vertical 90° bend	990 430 850
Zehnder ComfoFit Therm insulated Flat 51, horizontal 90° bend	990 430 851
Zehnder ComfoFit Therm insulated Flat 51, Y-piece	990 430 853
Zehnder ComfoFit Therm insulated Flat 51, pipe connector	990 430 854
Zehnder ComfoFit Therm insulated Flat 51 to Zehnder ComfoTube Therm insulated ø 90mm convertor	990 430 857
Zehnder ComfoFit Therm insulated Flat 51 to Zehnder ComfoTube Therm insulated ø 90mm convertor with 90° bend	990 430 852

## Article Numbers

Description	Product Code
<b>Grille housing</b>	
Grille housing CLF rectangular grille housing with 90° bend, connects 1 x 350x130 mm grille to 1 x Zehnder ComfoTube Flat 51, L123 mm	990 322 000
Grille housing CLRF circular grille housing with 90° bend, connects 1 x ø 125 mm valve to 1 x Zehnder ComfoTube Flat 51, L290 mm	990 322 060
Grille housing CLRF circular grille housing with 90° bend, connects 1 x ø 125 mm valve to 2 x Zehnder ComfoTube Flat 51, L290 mm	990 322 063
Grille housing CLRF circular grille housing, connects 1 x ø 125 mm valve to 1 x Zehnder ComfoTube Flat 51, L195 m	990 322 061
Grille housing Renoventil circular grille housing, connects 1 x ø 80 mm valve to 1 x Zehnder ComfoTube Flat 51, L400 mm	990 322 062
<b>Ancillaries</b>	
Zehnder ComfoTube Flat 51 manifold cover with ø 160 mm pipe adaptor, for 6 port manifold	990 322 037
Zehnder ComfoTube Flat 51, cross bracing floor insert for CLF grille housing	990 322 095
Zehnder ComfoTube Flat 51, end caps, 10 pieces	990 328 252
Zehnder ComfoTube Flat 51, oval O-ring seal, 10 pieces	990 328 352
Zehnder ComfoTube Flat 51, locking slides, 20 pieces	990 326 022
Zehnder ComfoTube Flat 51, adjustable airflow regulator	990 322 015
Filter for ø 125 mm extract air valve, ISO Coarse >45% (G3), 10 Pieces	990 320 032
Filter for CLF housing, ISO Coarse >45% (G3), 10 Pieces	990 322 100

## Zehnder ComfoTube Therm insulated Flat 51, 138 x 51mm, 10m roll

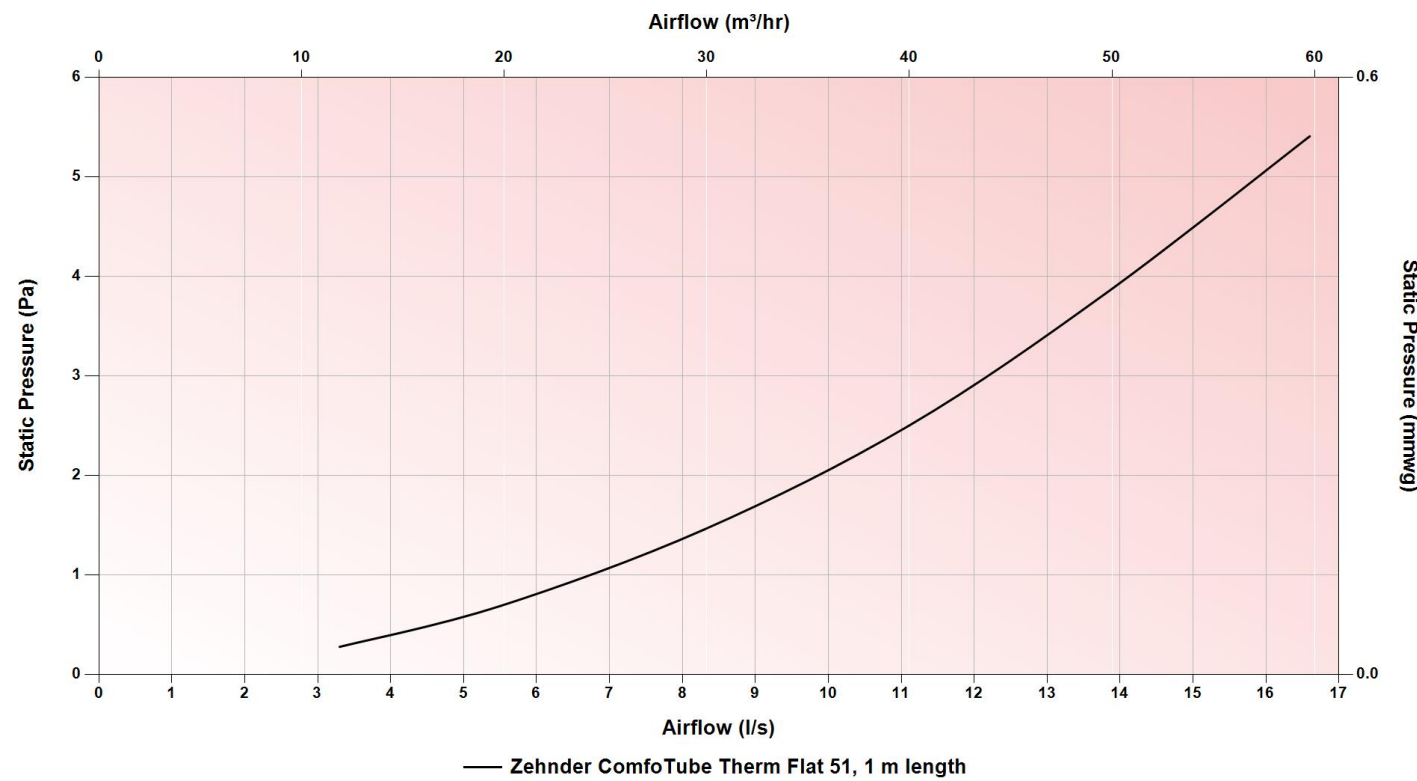
Article number: 990 328 032



### Technical Specification

Material - Ductwork	High-quality food-grade polyethylene (PE)
Material - Insulation	Cellular rubber
Operating temperature range	-25 to +60°C
Thermal conductivity at 0°C	0.033 W/mK
Thermal conductivity at 20°C	0.035 W/mK
10 m Temperature loss @ 40 m³/hr (40/20°C)	7.1 K
10 m Temperature loss @ 40 m³/hr (16/25°C)	-5.3 K
Maximum recommended air volume per tube	13 l/s (47 m³/h)
Minimum bending radius	207 mm and 468 mm
Buoyancy in concrete	150 N/m
Outside diameter (W/H)	156 mm x 69 mm
Inside diameter (W/H)	125 mm x 38 mm
Insulation thickness	9 mm
Weight per m	0.595 kg
Fire rating in accordance with EN 13501-1 - Ductwork	E
Fire rating in accordance with EN 13501-1 - Insulation	BL s2, d0
Fire rating in accordance with EN 13501-1 - EPP ancillaries	E
Coil diameter (10 m roll)	1100 mm
Coil height (10 m roll)	160 mm

### Pressure Curve



■ For use with Zehnder ComfoTube Flat 51 Manifolds and Grille housings

## Zehnder ComfoFit Therm insulated Flat 51, vertical 90° bend

Article number: 990 430 850



### Description

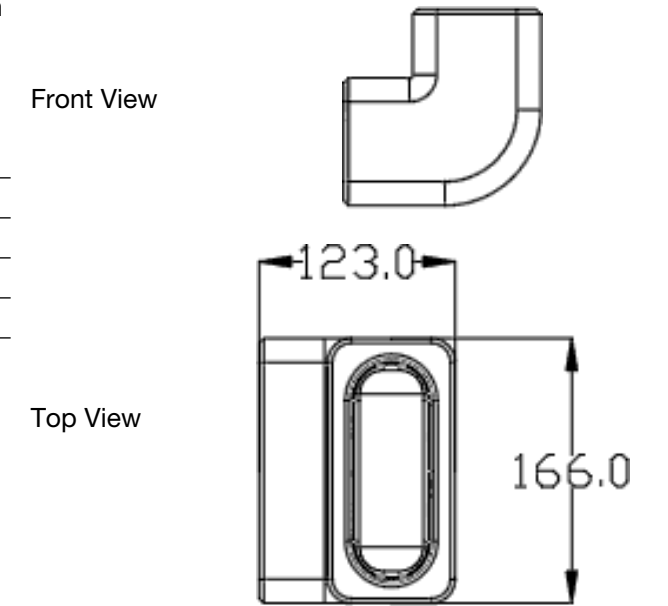
#### Rigid 90° bend:

Zehnder ComfoTube Therm Flat 51, insulated vertical 90° bend. The rigid bend can be placed between two lengths of Zehnder ComfoTube Therm Flat 51 to create an airtight and robust seal using the supplied O-rings. The insulation must be cut straight to ensure no thermal bridging once push fit into the connector.

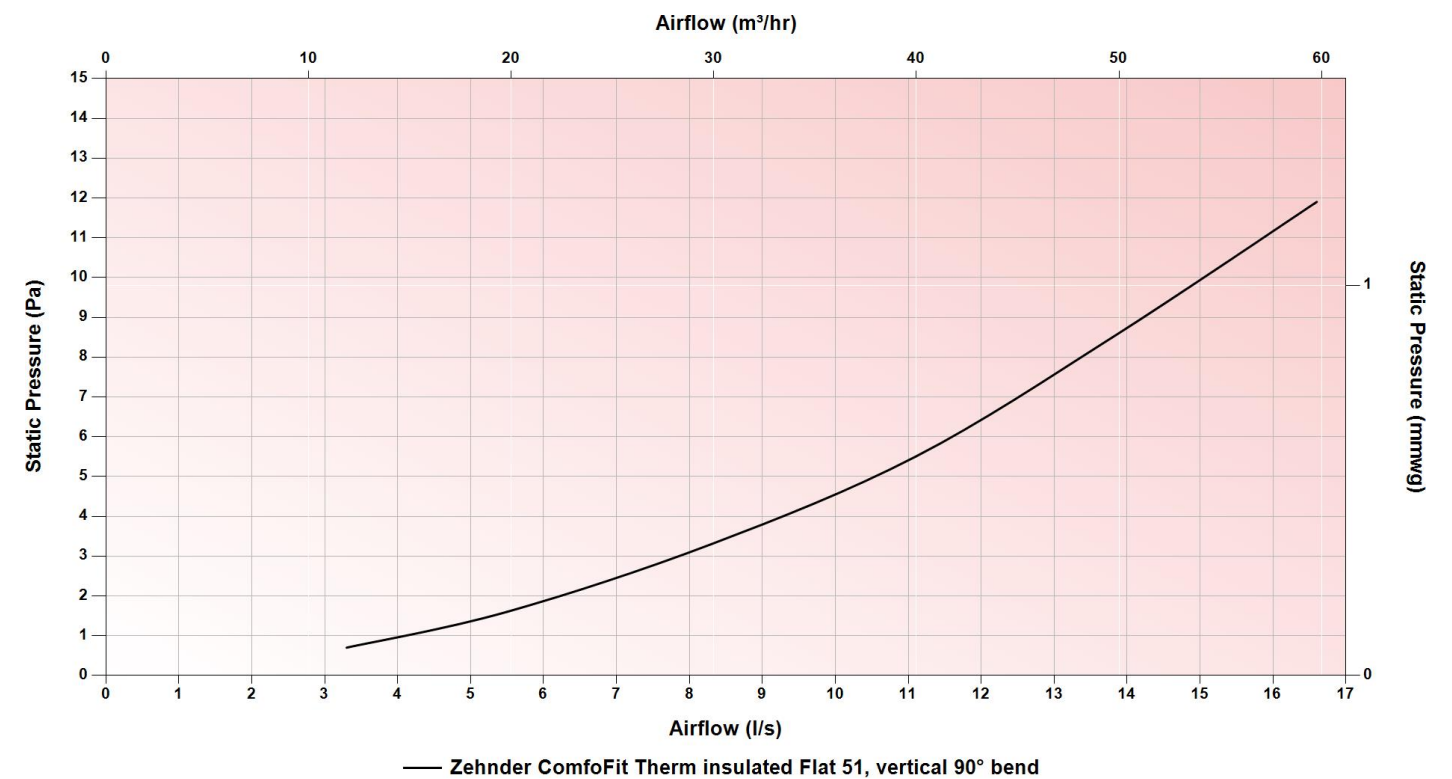
### Technical Specification

Height	123 mm
Width	166 mm
Depth	123 mm
Weight	0.065 kg
Material	Expanded polypropylene (EPP)

### Dimensions



### Pressure Curve



### Zehnder ComfoFit Therm insulated Flat 51, horizontal 90° bend

Article number: 990 430 851

#### Description

##### Rigid 90° bend:

Zehnder ComfoTube Therm Flat 51, insulated horizontal 90° bend. The rigid bend can be placed between two lengths of Zehnder ComfoTube Therm Flat 51 to create an airtight and robust seal using the supplied O-rings. The insulation must be cut straight to ensure no thermal bridging once push fit into the connector.

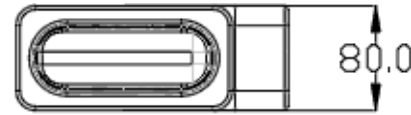
#### Technical Specification

Height	80 mm
Width	209 mm
Depth	209 mm
Weight	0.106 kg
Material	Expanded polypropylene (EPP)

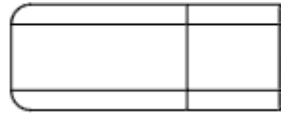


#### Dimensions

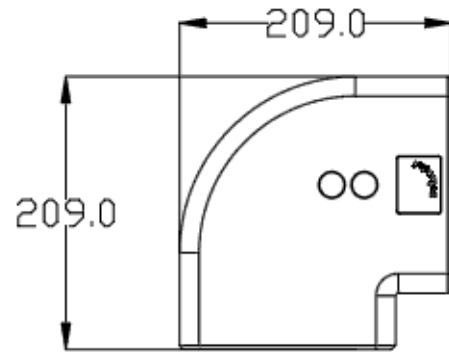
Front View



Side View



Top View



### Zehnder ComfoFit Therm insulated Flat 51, Y-piece

Article number: 990 430 853

#### Description

##### Y-piece:

Zehnder ComfoTube Therm Flat 51, insulated Y-piece. The insulated Y-piece can be placed between three lengths of Zehnder ComfoTube Therm Flat 51 to branch from a single run into two separate runs to create an airtight and robust seal using the supplied O-rings. The insulation must be cut straight to ensure no thermal bridging once push fit into the connector.

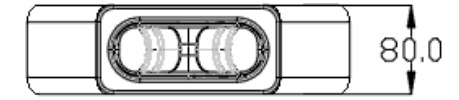
#### Technical Specification

Height	80 mm
Width	293 mm
Depth	233 mm
Weight	0.111 kg
Material	Expanded polypropylene (EPP)

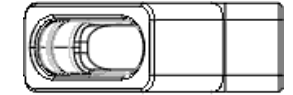


#### Dimensions

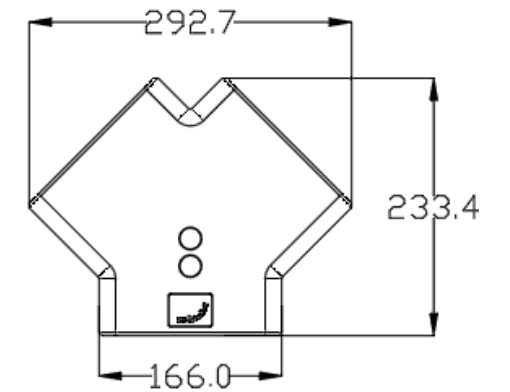
Front View



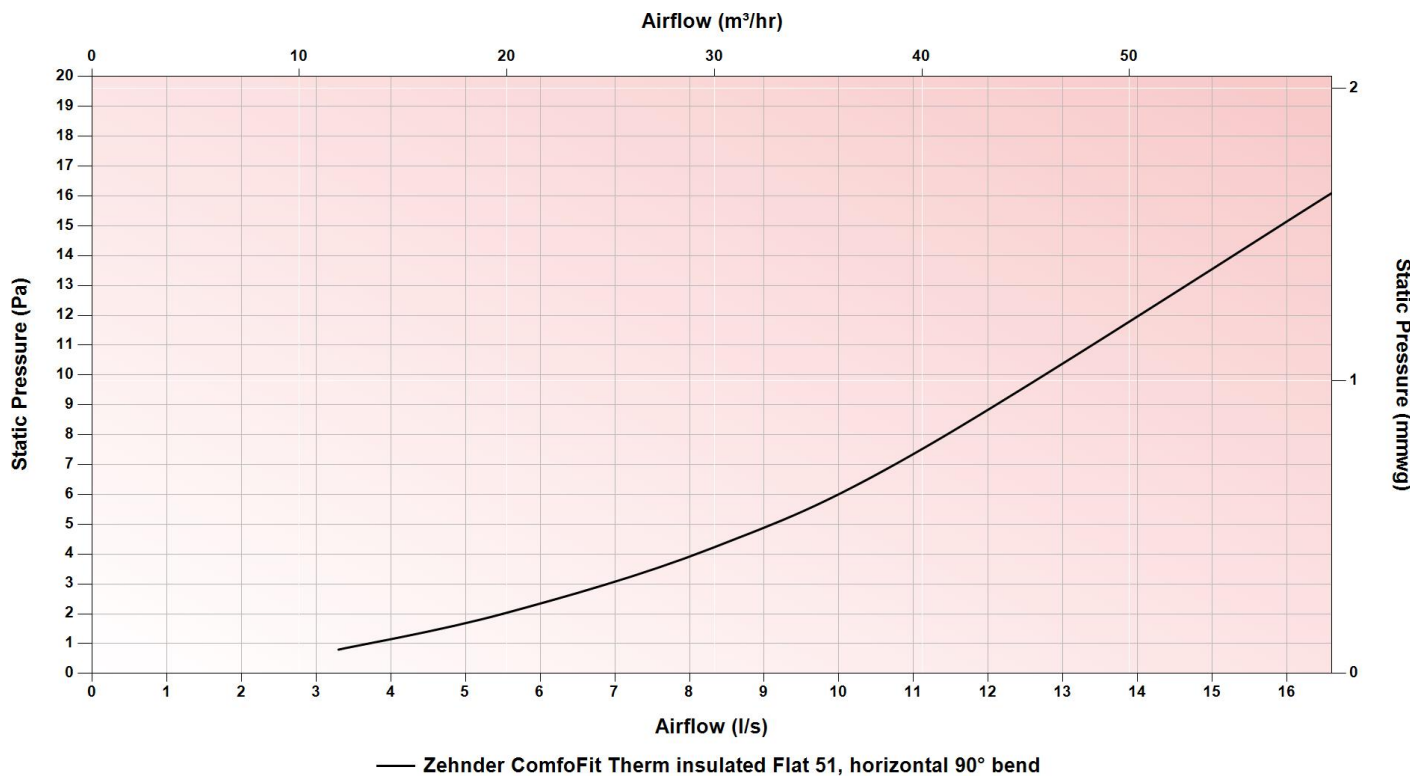
Side View



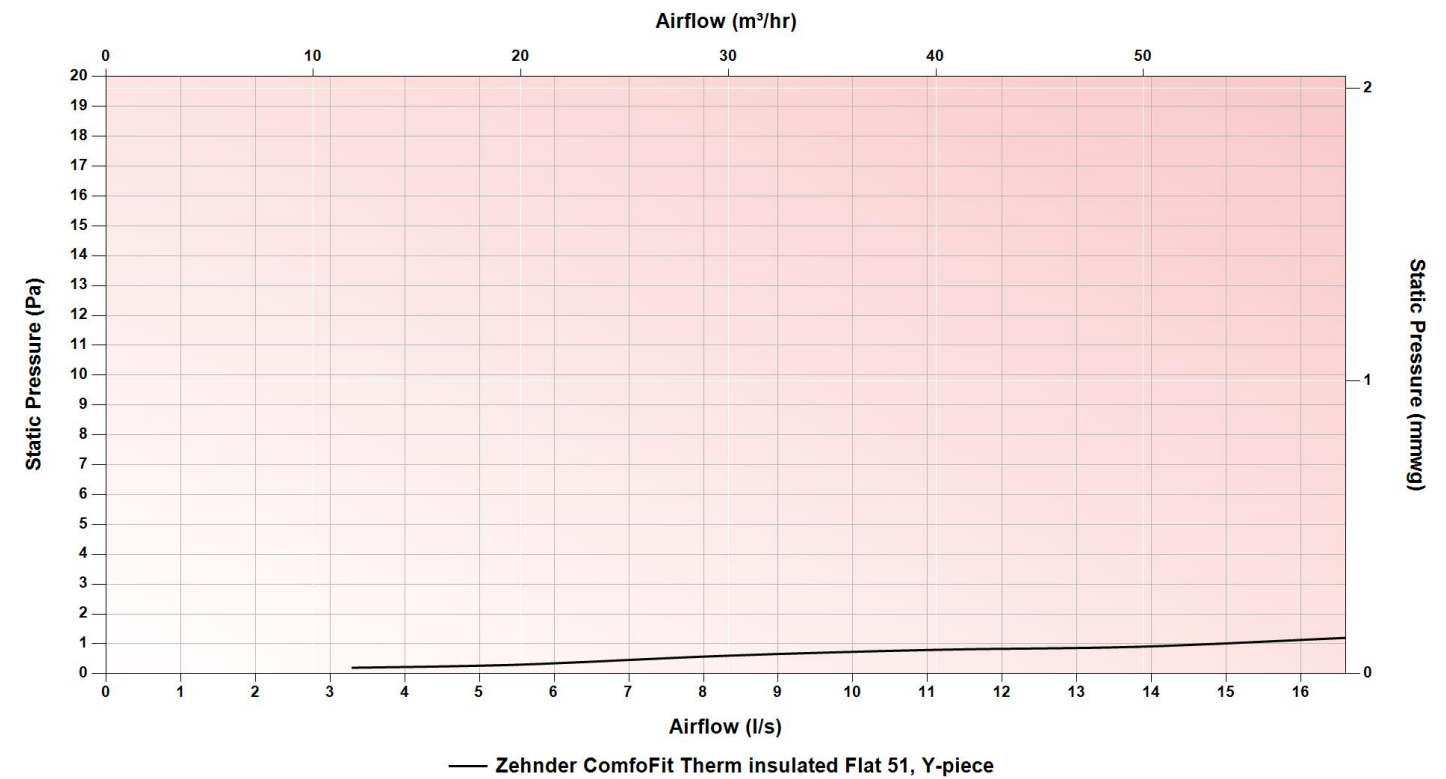
Top View



#### Pressure Curve



#### Pressure Curve





### Zehnder ComfoFit Therm insulated Flat 51, pipe connector

Article number: 990 430 854

#### Description

##### Pipe connector:

Zehnder ComfoTube Therm Flat 51, insulated pipe connector. The connector is used to join two lengths of Zehnder ComfoTube Therm Flat 51 together to create an airtight and robust seal using the supplied O-rings. The insulation must be cut straight to ensure no thermal bridging once push fit into the connector.

#### Technical Specification

Length	120 mm
Outside diameter (W/H)	166 mm / 80 mm
Inside diameter (W/H)	138 mm / 51 mm
Weight	0.049 kg
Material	Expanded polypropylene (EPP)



#### Dimensions

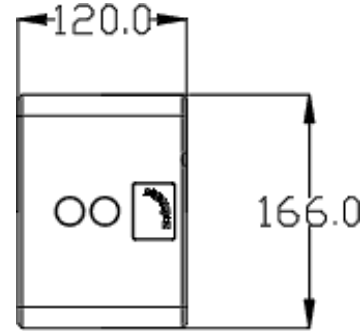
Front View



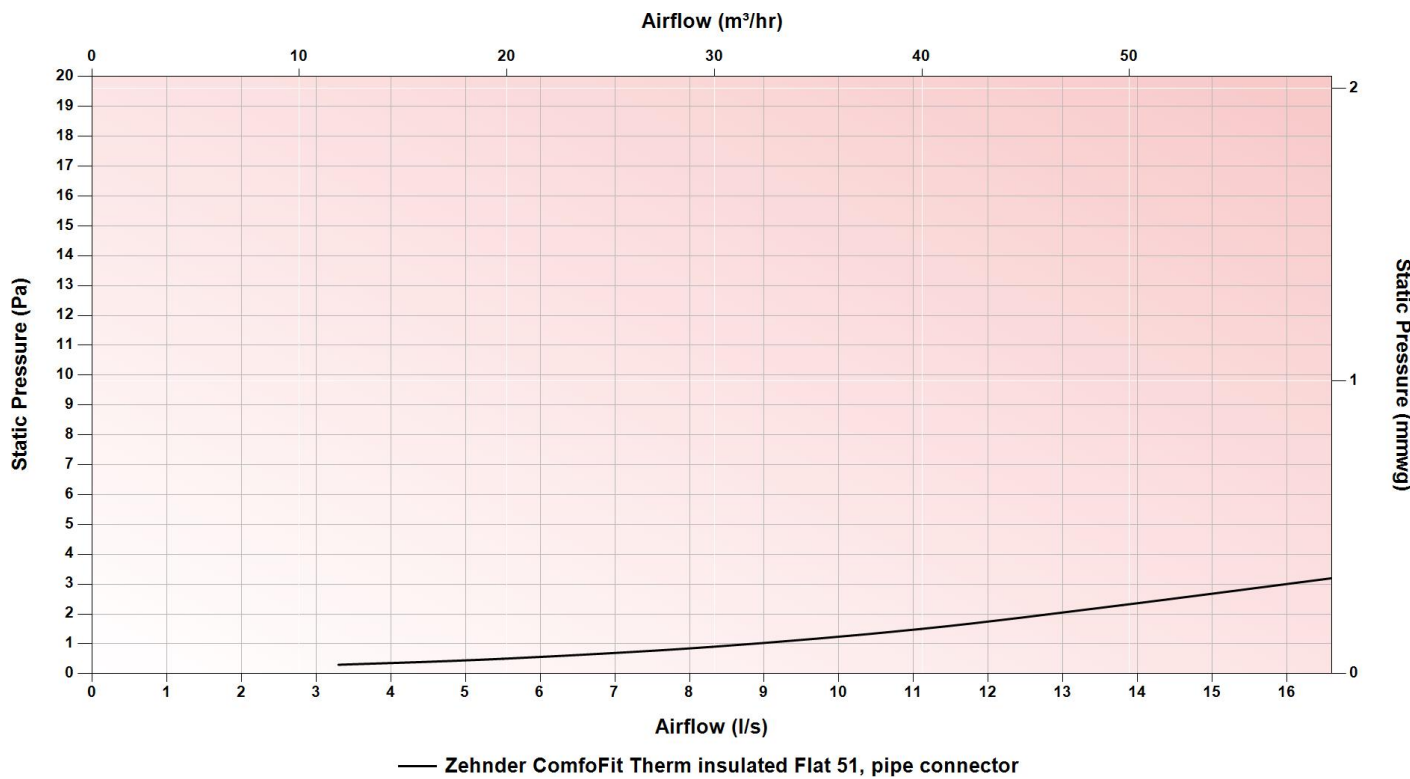
Side View



Top View



#### Pressure Curve



### Zehnder ComfoFit Therm insulated Flat 51 to Zehnder ComfoTube Therm insulated ø 90mm convertor

Article number: 990 430 857

#### Description

##### Converter:

Zehnder ComfoTube Therm Flat 51 to Zehnder ComfoTube Therm ø 90 mm convertor. The rigid connector can be used to convert Zehnder ComfoTube Therm Flat 51 to Zehnder ComfoTube Therm ø 90 mm to create an airtight and robust seal using the supplied O-rings. The insulation must be cut straight to ensure no thermal bridging once push fit into the connector.

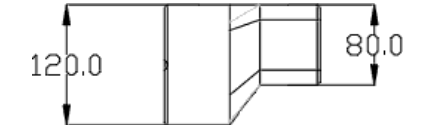
#### Technical Specification

Height	120 mm
Width	166 mm
Depth	155 mm
Weight	0.06 kg
Material	Expanded polypropylene (EPP)

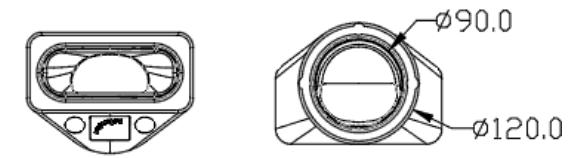


#### Dimensions

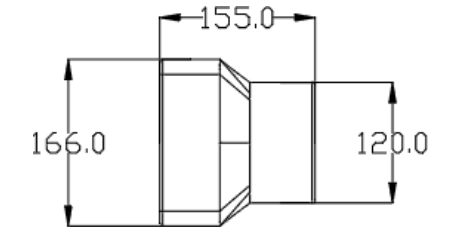
Front View



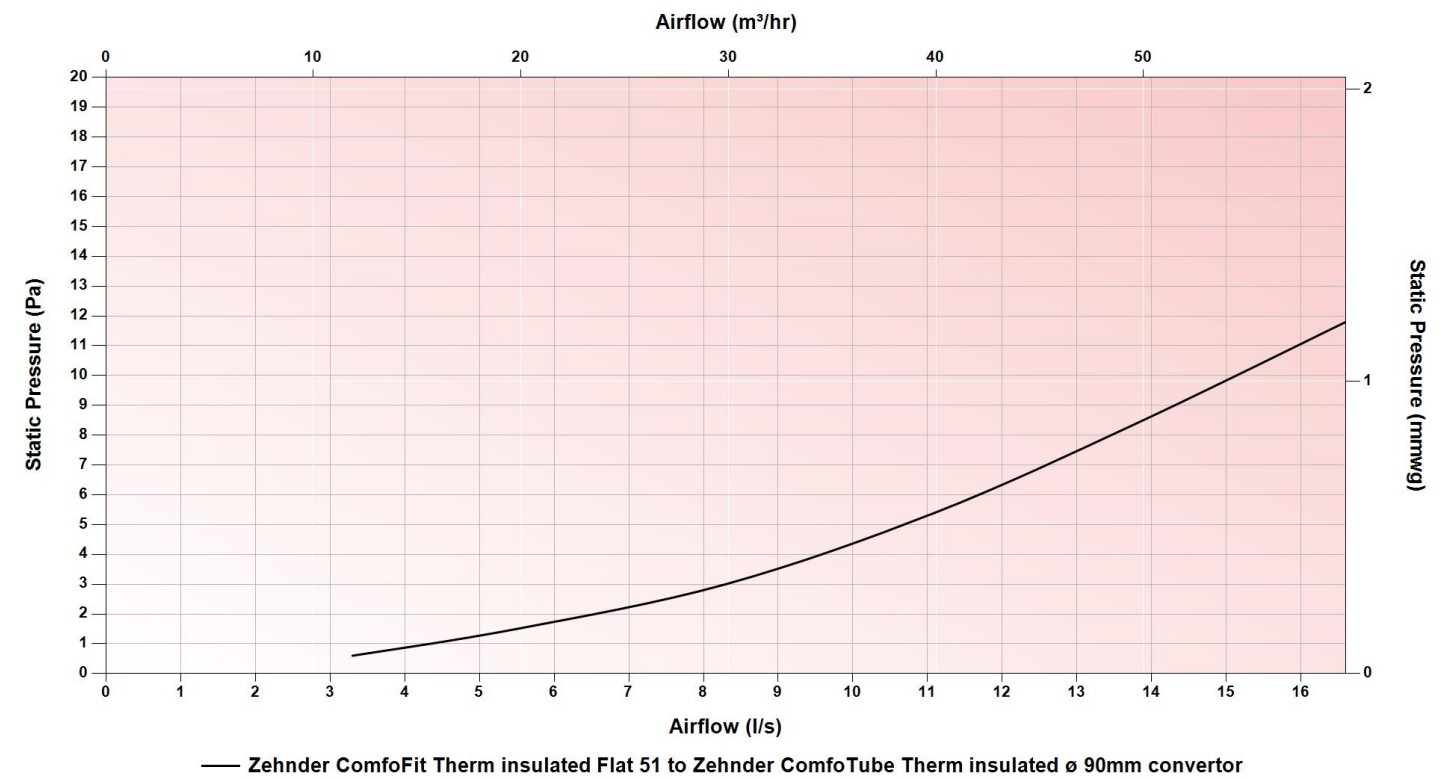
Side View



Top View



#### Pressure Curve



**Zehnder ComfoFit Therm insulated Flat 51 to Zehnder ComfoTube Therm insulated ø 90mm convertor with 90° bend**

Article number: 990 430 852

**Description**

**Converter:**

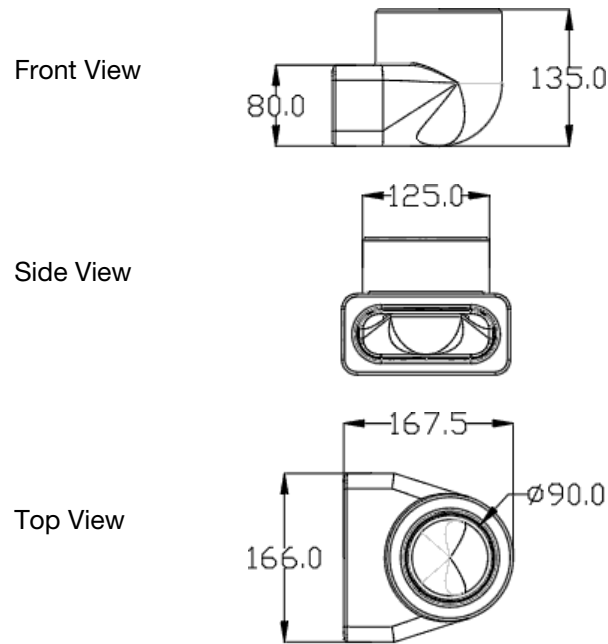
Zehnder ComfoTube Therm Flat 51 to Zehnder ComfoTube Therm ø 90 mm, 90° convertor. The rigid bend can be used to convert Zehnder ComfoTube Therm Flat 51 to Zehnder ComfoTube Therm ø 90 mm to create an airtight and robust seal using the supplied O-rings. The insulation must be cut straight to ensure no thermal bridging once push fit into the connector.

**Technical Specification**

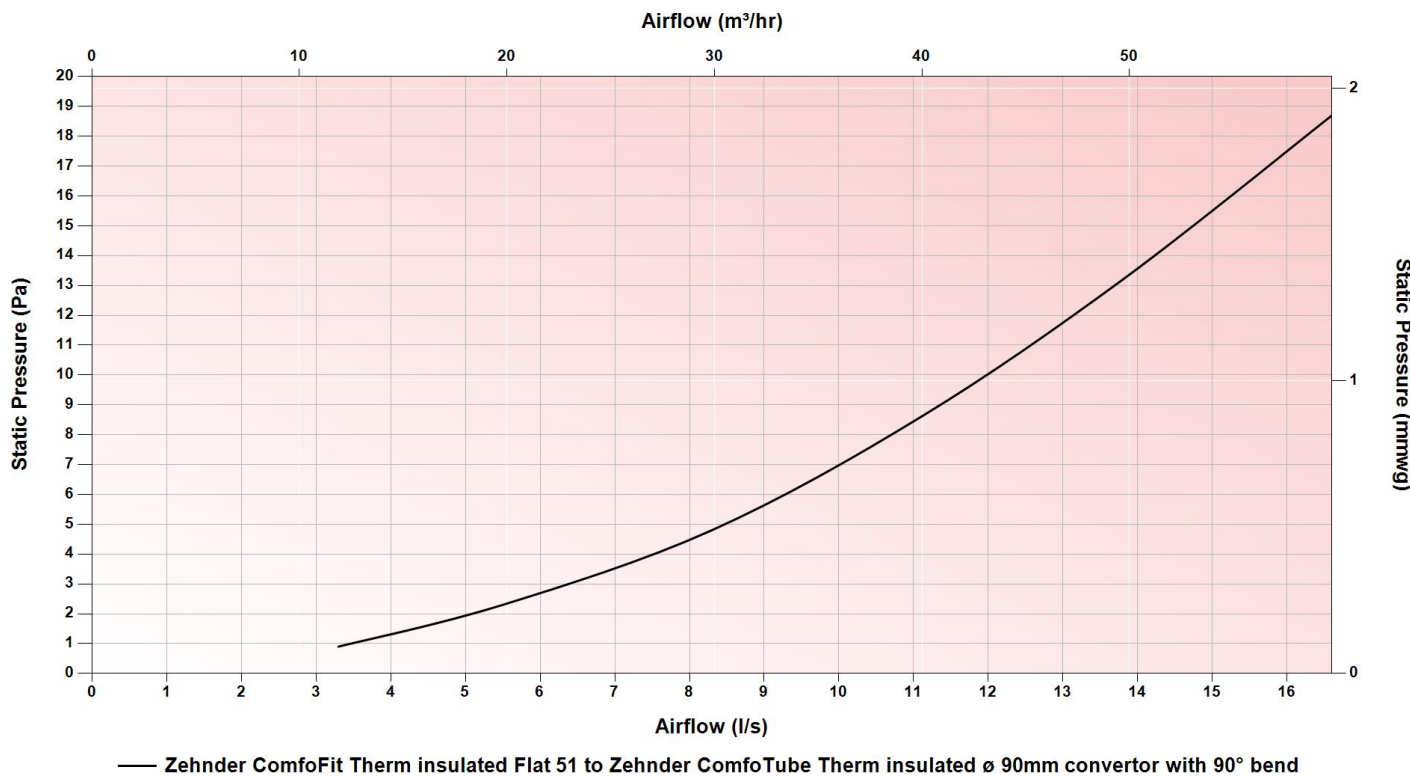
Height	135 mm
Width	166 mm
Depth	167.5 mm
Weight	0.079 kg
Material	Expanded polypropylene (EPP)



**Dimensions**



**Pressure Curve**



**Grille housing CLF rectangular grille housing with 90° bend, connects 1 x 350x130 mm grille to 1 x Zehnder ComfoTube Flat 51, L123 mm**

Article number: 990 322 000

**Description**

**CLF Grille housing:**

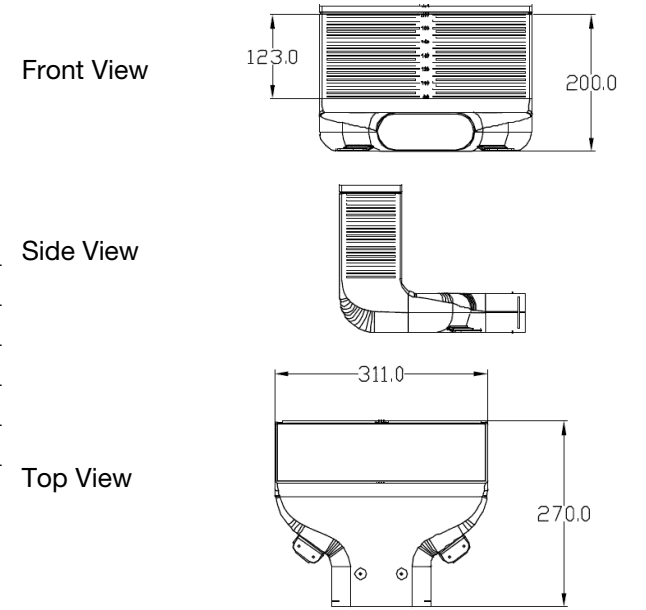
Rectangular grille housing with 90° bend. The cleanable rectangular CLF grille housing is suitable for installation in multiple types of wall/floor/ceiling applications and comes complete with locking slide and oval O-ring seal. The rectangular decorative grilles (350 mm x 130 mm) can be surface or flush-mounted dependent on preference. A Zehnder ComfoFresh filter can be used to remove particulates.

**Technical Specification**

Height	200 mm
Spigot length	123 mm
Width	311 mm
Depth	270 mm
Weight	0.79 kg
Material	High-density polyethylene (HDPE)



**Dimensions**



■ For use with Rectangular decorative grilles 350 x 130 mm

**Grille housing CLRF circular grille housing with 90° bend, connects 1 x ø 125 mm valve to 1 x Zehnder ComfoTube Flat 51, L290 mm**

Article number: 990 322 060

**Description**

**CLRF Grille housing:**

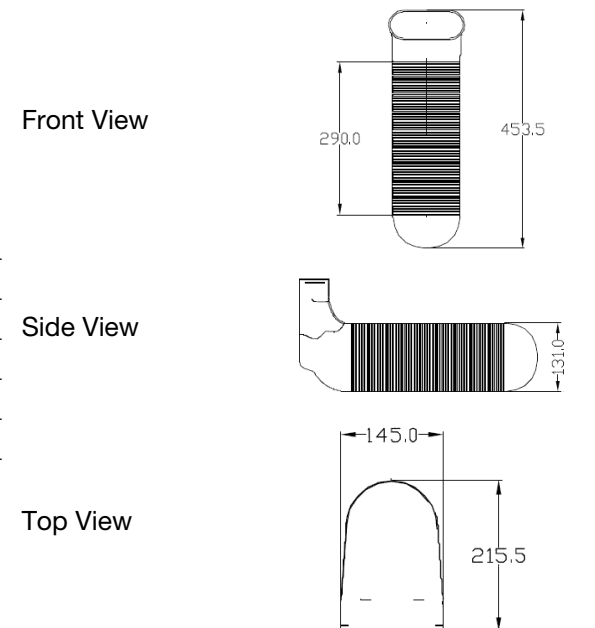
Circular grille housing with 90° bend. The cleanable circular CLRF grille housing is suitable for installation in multiple types of wall and ceiling applications and comes complete with locking slide and oval O-ring seal. The square (160 x 160 mm) and circular decorative grilles can be used in addition to any standard ø 125 mm valve. A Zehnder ComfoFresh filter can be used to remove particulates.

**Technical Specification**

Height	453.5 mm
Spigot length	290 mm
Width	145 mm
Depth	215.5 mm
Weight	0.52 kg
Material	High-density polyethylene (HDPE)



**Dimensions**



■ For use with Square or circular decorative grilles, ø 125 mm supply/extract grilles and ComfoValve Luna

**Grille housing CLRF circular grille housing with 90° bend, connects 1 x ø 125 mm valve to 2 x Zehnder ComfoTube Flat 51, L290 mm**

Article number: 990 322 063

**Description**

**CLRF Grille housing:**

Circular grille housing with 90° bend. The cleanable circular CLRF grille housing is suitable for installation in multiple types of wall and ceiling applications and comes complete with locking slide and oval O-ring seal. The square (160 x 160 mm) and circular decorative grilles can be used in addition to any standard ø 125 mm valve. A Zehnder ComfoFresh filter can be used to remove particulates.

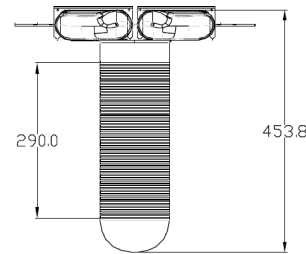
**Technical Specification**

Height	453.5 mm
Spigot length	290 mm
Width	302 mm
Depth	200.5 mm
Weight	0.52 kg
Material	High-density polyethylene (HDPE)

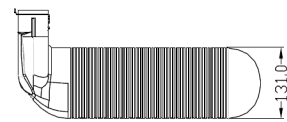


**Dimensions**

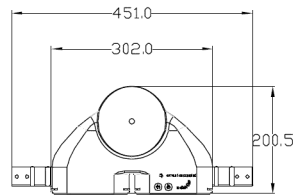
Front View



Side View



Top View



■ For use with Square or circular decorative grilles, ø 125 mm supply/extract grilles and ComfoValve Luna

**Grille housing CLRF circular grille housing, connects 1 x ø 125 mm valve to 1 x Zehnder ComfoTube Flat 51, L195 m**

Article number: 990 322 061

**Description**

**CLRF Grille housing:**

Circular grille housing with straight connection. The cleanable circular CLRF grille housing is suitable for installation in multiple types of wall and ceiling applications and comes complete with locking slide and oval O-ring seal. The square (160 x 160 mm) and circular decorative grilles can be used in addition to any standard ø 125 mm valve. A Zehnder ComfoFresh filter can be used to remove particulates.

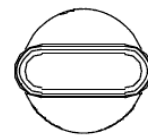
**Technical Specification**

Height	130.6 mm
Spigot length	195 mm
Width	145 mm
Depth	358.5 mm
Weight	0.4 kg
Material	High-density polyethylene (HDPE)

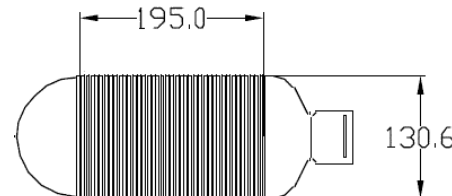


**Dimensions**

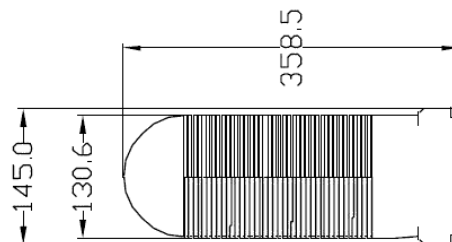
Front View



Side View



Top View



■ For use with Square or circular decorative grilles, ø 125 mm supply/extract grilles and ComfoValve Luna

**Grille housing Renoventil circular grille housing, connects 1 x ø 80 mm valve to 1 x Zehnder ComfoTube Flat 51, L400 mm**

Article number: 990 322 062

**Description**

Renoventil Grille housing Circular grille housing with straight connection. The Renoventil housing is perfect for refurbishments since the Renoventil supply and extract grilles can be located close to the ceiling. The Renoventil grille housing comes complete with locking slide and oval O-ring seal.

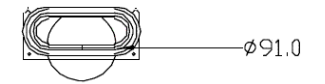
**Technical Specification**

Height	91.7 mm
Spigot length	400 mm
Width	148.5 mm
Depth	489 mm
Weight	0.28 kg
Material	High-density polyethylene (HDPE)

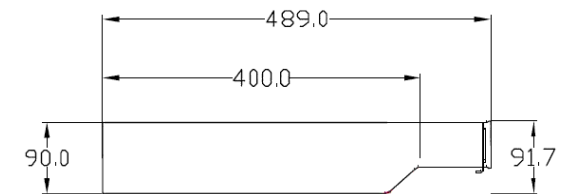


**Dimensions**

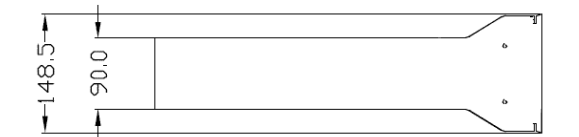
Front View



Side View



Top View



■ For use with Renoventil supply/extract grilles

**Zehnder ComfoTube Flat 51 manifold cover with ø 160 mm pipe adaptor, for 6 port manifold**

Article number: 990 322 037

**Description**

**Pipe adaptor:**

Zehnder ComfoTube Flat 51 manifold cover with ø 160 mm pipe adaptor. The rigid gasket seal connector can be used to connect ø 160 rigid round duct to the Zehnder ComfoTube Flat 51 manifold.

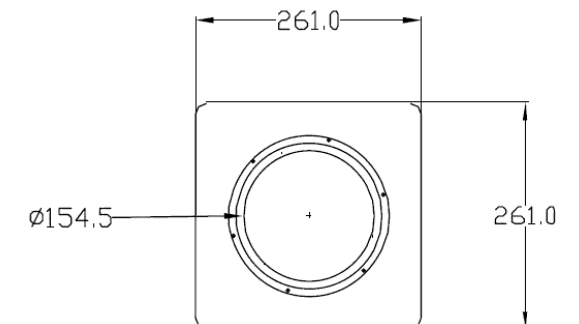
**Technical Specification**

Height	38 mm
Width	261 mm
Depth	261 mm
Weight	0.5 kg
Material	High-density polyethylene (HDPE)



**Dimensions**

Top View



■ For use with #REF!



### Zehnder ComfoTube Flat 51, cross bracing floor insert for CLF grille housing

Article number: 990 322 095

#### Description

##### Cross brace:

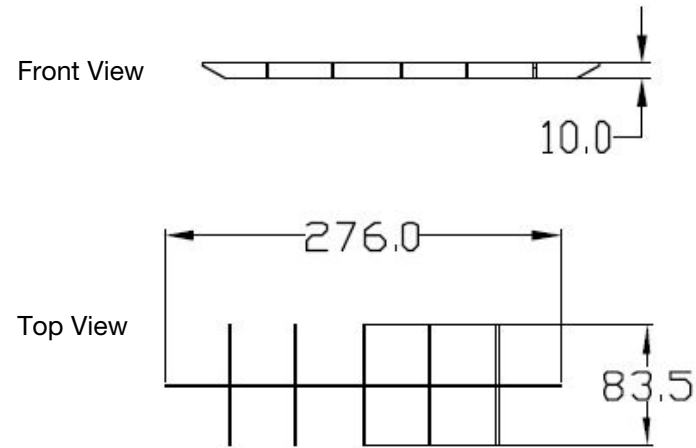
Zehnder ComfoTube Flat 51, cross bracing floor insert for CLF grille housing. The support is installed behind the 350 x 130 mm rectangular decorative grilles when installed in the floor to ensure strength and rigidity.

#### Technical Specification

Height	10 mm
Width	276 mm
Depth	83.5 mm
Weight	1 kg
Material	Steel



#### Dimensions



■ For use with Grille housing CLF rectangular grille housing with 90° bend, connects 1 x 350x130 mm grille to 1 x Zehnder ComfoTube Flat 51, L123 mm

### Zehnder ComfoTube Flat 51, end caps, 10 pieces

Article number: 990 328 252

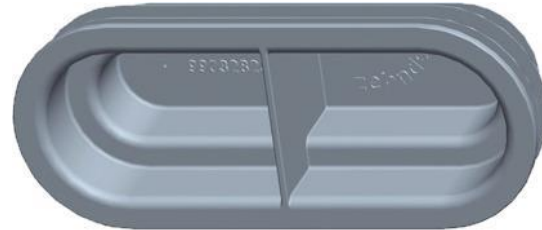
#### Description

##### End caps:

Zehnder ComfoTube Flat 51 end caps. The Flat 51 end caps can be placed within their corresponding Zehnder ComfoTube Flat 51 ductwork during the construction phase to prevent dust ingress. The end caps can also be placed directly into Flat 51 manifold to seal off any unwanted ports.

#### Technical Specification

Height	60 mm
Width	148 mm
Depth	42 mm
Weight	0.037 kg (each)
Material	Low-density polypropylene



### Zehnder ComfoTube Flat 51, O-ring seal, 10 pieces

Article number: 990 328 352

#### Description

##### O-ring:

Zehnder ComfoTube Flat 51 oval O-ring seal. The oval O-ring is used to ensure an airtight connection is made with pipe connectors, grille housings, manifolds and connecting elements.

#### Technical Specification

Height	60 mm
Width	143.4 mm
Depth	4.45 mm
Weight	0.007 kg (each)
Material	EPDM (Ethylene Propylene Diene Monomer)



### Zehnder ComfoTube Flat 51, locking slides, 20 pieces

Article number: 990 326 022

#### Description

##### Locking slide:

Zehnder ComfoTube Flat 51, locking slide. The locking slide is used to secure the Zehnder ComfoTube Flat 51 ductwork without the need for messy sealants.

#### Technical Specification

Weight	0.036 kg (each)
Material	Galvanised steel





## Zehnder ComfoTube Flat 51, adjustable airflow regulator

Article number: 990 322 015

### Description

#### Airflow regulator:

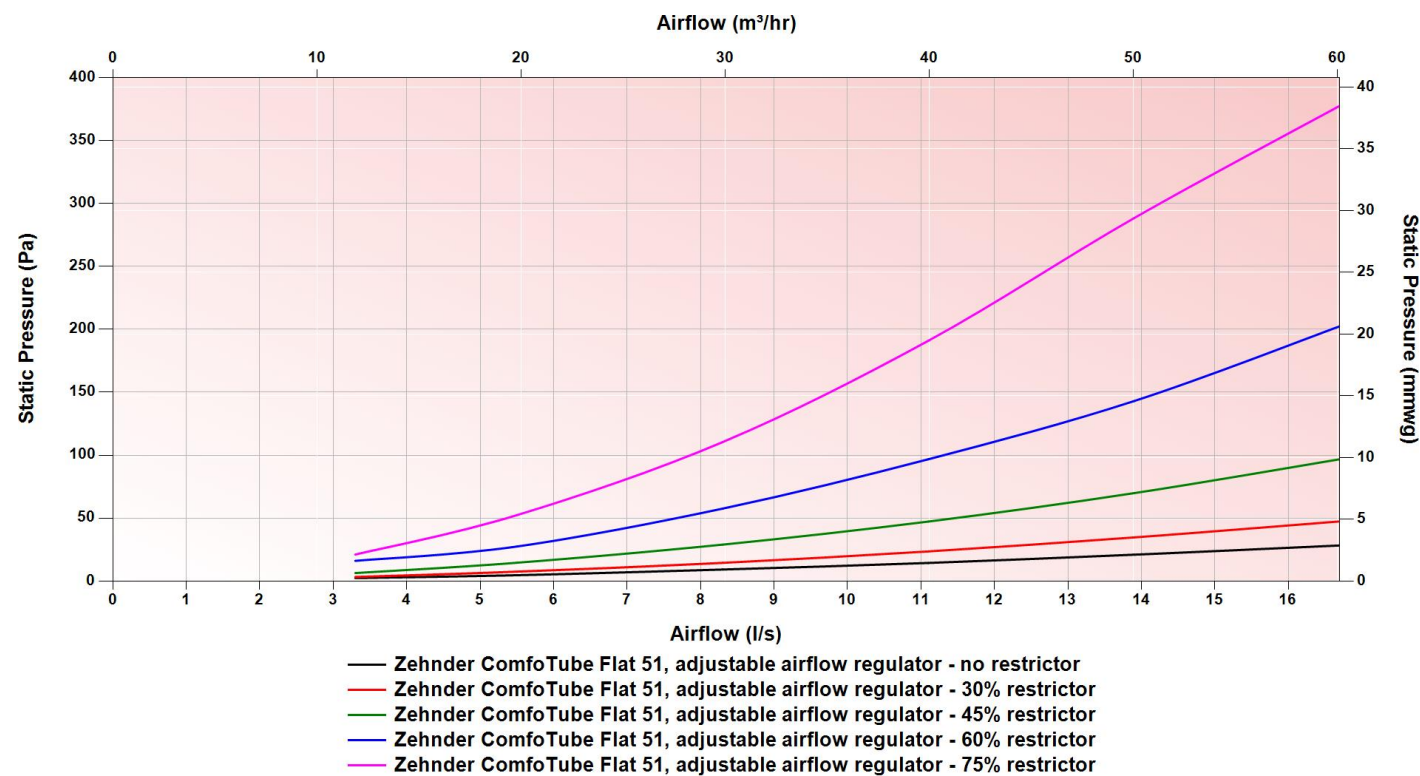
Zehnder ComfoTube Flat 51 adjustable airflow regulator. The airflow regulator has 5 different restriction settings to reduce the air volume silently. The airflow regulator can be used at the manifold or at the grille housing by inserting it into the Flat 51 ductwork.

#### Technical Specification

Height	41 mm
Width	129 mm
Depth	75 mm
Weight	0.06 kg
Material	Polypropylene



## Pressure Curve



## Filter for ø 125 mm extract air valve, ISO Coarse >45% (G3), 10 Pieces

Article number: 990 320 032

### Description

#### Grille housing filter:

Zehnder filter for ø 125 mm CLRF grille housing. The filter is perfect to remove particles before they enter the ductwork and is quick and easy to install without interfering with the installed parts.

#### Technical Specification

Length	165 mm
Diameter	125 mm
Height	15 mm
Filter grade	ISO Coarse <45% (G3)
Weight	<0.032 kg each
Material	Polyester



■ For use with Square or circular decorative grilles, ø 125 mm supply/extract grilles and ComfoValve Luna valves

## Filter for CLF housing, ISO Coarse >45% (G3), 10 Pieces

Article number: 990 322 100

### Description

#### Grille housing filter:

Zehnder filter for CLF grille housing. The filter is perfect to remove particles before they enter the ductwork and is quick and easy to install without interfering with the installed parts.

#### Technical Specification

Height	15 mm
Width	294.5 mm
Depth	74.5 mm
Filter grade	ISO Coarse <45% (G3)
Weight	<0.032 kg each
Material	Polyester



■ For use with Rectangular decorative grilles 350 x 130 mm

## Thermal Shield

With ThermalShield by Zehnder you establish a fast reacting system providing freshness in the summer and warmth in the winter. Our new air distribution components with ThermalShield help reduce temperature loss when transporting tempered air and enables By using ThermalShield you support the climate system solution in your home to create a comfortable and healthy indoor climate



## For use with

The Zehnder ComfoTube Therm flat 51 insulated ventilation tube impresses with optimum sound and heat insulation properties for the perfect feel-good climate at home. This makes the ComfoTube Therm the ideal solution for the condensation-free transport of warm and cold air. Thanks to high-quality insulation, the temperature-controlled air is passed through the ventilation tube with almost no temperature loss, so that living spaces can be supplied tempered or supplementary heated as required in an energy-efficient manner. The ideal devices to provide the tempered or heated supply air are the ComfoPost and ComfoClime units from Zehnder.



**TO VIEW OUR COMFOPOST DATASHEET**

**CLICK HERE**

## BIM/CAD Components

If you would like to download the BIM / CAD files for this or any other of our products then please visit our BIM library.

**TO VISIT OUR BIM/CAD LIBRARY**

**CLICK HERE**

## Installation Instructions

If you would like to download the installation files for this or any other of our products then please visit our download page by clicking the link below.

**TO VISIT OUR DOWNLOAD PAGE**

**CLICK HERE**

## Consultant Specification

### Specification

The insulated semi-rigid ductwork shall be dual wall constructed of high-quality food-grade plastic HDPE/LDPE with cellular rubber insulation to provide a thermal conductivity of at least 0.035 W/mK. It shall have a fire rating in accordance with EN 13501-1 of E. It shall have an operating temperature range of -25 to +60 °C and not be designed to exceed flowrates of 13 l/s.

The ductwork shall have a hygiene certificate and be accredited for use in SAP Appendix Q.

The ductwork shall be manufactured by Zehnder.