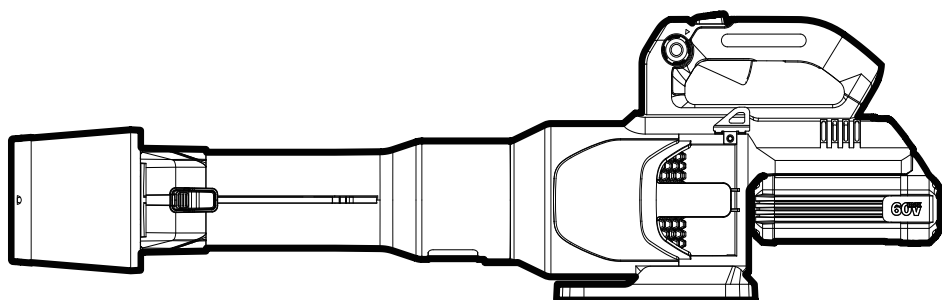


Kress



Cordless Blower

EN P02

Souffleur Sans Fil

F P15

Soplador Inalámbrico

ES P25

KG560 KG560.X KG561 KG561.X

TABLE OF CONTENTS

Introduction.....	2
Important safety instructions.....	3
Symbols.....	6
Specifications.....	7
Component List.....	9
Operation.....	13
Cleaning The Tool.....	14

INTRODUCTION

Dear Customer,

Thank you for buying this Kress product. We are dedicated to developing high quality products to meet your lawn & garden requirements.

2

EN

The Kress brand is synonymous with premium quality service. Over the years of your products life, if you have any questions or concerns about your product, please contact your location of purchase or our Customer Service Team for assistance.

We are confident you will enjoy working with your Kress product for years to come.

INTENDED USE OF BLOWER

The blower is intended for residential use only. Use the blower outdoors to move yard debris as needed.

PRODUCT SAFETY



WARNING: Some dust created by power sanding, sawing, grinding, drilling and other construction activities contains chemicals known to the state of California to cause cancer, birth defects or other reproductive harm. Some examples of these chemicals are:

- Lead from lead-based paints;
- Crystalline silica from bricks and cement and other masonry products;
- Arsenic and chromium from chemically-treated lumber.

Your risk from these exposures varies, depending on how often you do this type of work. To reduce your exposure to these chemical: work in a well ventilated area, and work with approved safety equipment,, such as those dust masks that are specially designed to filter out microscopic particles.



WARNING: This product can expose you to chemicals including lead and Di (2-ethylhexyl) phthalate (DEHP) which are known to the State of California to cause cancer and birth defects or other reproductive harm. For more information go to www.P65Warnings.ca.gov.

IMPORTANT SAFETY INSTRUCTIONS



WARNING: Read all safety warnings and instructions. Failure to follow the warnings and instructions may result in electric shock, fire and/or serious injury.

FOR ALL APPLIANCES

- 1) Avoid Dangerous Environment - Don't use appliances in damp or wet locations.
- 2) Don't Use In Rain.
- 3) Keep Children & Pets Away - All visitors should be kept at a distance from work area.
- 4)  Dress Properly - Do not wear loose clothing or jewelry. They can be caught in moving parts. Use of rubber gloves and substantial footwear is recommended when working outdoors. Wear protective hair covering or a hat to contain long hair.**DO NOT LET HAIR COME INTO CONTACT WITH BLOWER INTAKE**
- 5) Use Safety Glasses - Always use face or dust mask if operation is dusty. It is a good

practice to always wear hearing protection when operating power appliance.

- 6) Use the correct Appliance - Do not use appliance for any job except that for which it is intended.
- 7) Don't Force appliance - It will do the job better and with less likelihood of a risk of injury at the rate for which it was designed.
- 8) Don't Overreach - Keep proper footing and balance at all times.
- 9) Stay Alert - Watch what you are doing. Use common sense. Do not operate appliance when you are tired.
- 10) Store Idle Appliances Indoors - When not in use, appliances should be stored indoors in dry, and high or locked-up place - out of reach of children.
- 11) Maintain Appliance With Care - Follow instructions for lubricating and changing accessories. Keep handles dry, clean, and free from oil and grease.
- 12) Check Damaged Parts - Before further use of the appliance, a guard or other part that is damaged should be carefully checked to determine that it will operate properly and perform its intended function. Check for alignment of moving parts, binding of moving parts, breakage of parts, mounting, and any other condition that may affect its operation. A guard or other part that is damaged should be properly repaired or replaced by an authorized service center unless indicated elsewhere in this manual.

FOR ALL BATTERY – OPERATED GARDENING APPLIANCES

1. Prevent unintentional starting. Ensure the switch is in the off-position before connecting to battery pack, picking up or carrying the appliance. Carrying the appliance with your finger on the switch or energizing appliance that have the switch on invites accidents.
2. Disconnect the battery pack from the appliance before making any adjustments, changing accessories, or storing appliance. Such preventive safety measures reduce the risk of starting the appliance accidentally.
3. Recharge only with the charger specified by the manufacturer. A charger that is suitable for one type of battery pack may create a risk of fire when used with another battery pack.

4. Use appliances only with specifically designated battery packs. Use of any other battery packs may create a risk of injury and fire.
5. When battery pack is not in use, keep it away from other metal objects, like paper clips, coins, keys, nails, screws or other small metal objects, that can make a connection from one terminal to another. Shorting the battery terminals together may cause burns or a fire.
6. Under abusive conditions, liquid may be ejected from the battery; avoid contact. If contact accidentally occurs, flush with water. If liquid contacts eyes, additionally seek medical help. Liquid ejected from the battery may cause irritation or burns.
7. Do not use a battery pack or appliance that is damaged or modified. Damaged or modified batteries may exhibit unpredictable behavior resulting in fire, explosion or risk of injury.
8. Do not expose a battery pack or appliance to fire or excessive temperature. Exposure to fire or temperature above 130 °C may cause explosion.
9. Follow all charging instructions and do not charge the battery pack or appliance outside of the temperature range specified in the instructions. Charging improperly or at temperatures outside of the specified range may damage the battery and increase the risk of fire.
10. Have servicing performed by a qualified repair person using only identical replacement parts. This will ensure that the safety of the product is maintained.
11. Do not modify or attempt to repair the appliance or the battery pack (as applicable) except as indicated in the instructions for use and care.

ADDITIONAL SAFETY WARNINGS






IMPORTANT SAFETY INSTRUCTIONS

When using an electrical appliance, basic precautions should always be followed, including the following:

READ ALL INSTRUCTIONS BEFORE USING THIS APPLIANCE



WARNING – TO REDUCE THE RISK OF FIRE, ELECTRIC SHOCK, OR INJURY:

1. To reduce the risk of electric shock – Do not use on wet surfaces. Do not expose to rain. Store indoors.
2. Do not allow to be used as a toy. Close attention is necessary when used by or near children.
3. Use only as described in this manual. Use only manufacturer's recommended attachments.
4. If appliance is not working as it should, has been dropped, damaged, left outdoors, or dropped into water, return it to a service center.
5.  Keep hair, loose clothing, fingers, and all parts of body away from openings and moving parts. 
6. Do not charge the unit outdoors. 
7. Use only the charger supplied by the manufacturer to recharge.
8. Do not incinerate the appliance even if it is severely damaged. The batteries can explode in a fire.
9.  Do not put any object into openings. Do not use with any opening blocked; keep free of dust, lint, hair, and anything that may reduce air flow.
10. Do not handle charger plug or appliance with wet hands. 
11. Do not leave appliance when plugged in. Unplug from outlet when not in use and before servicing.
12. Turn off all controls before unplugging.
13. Use extra care when cleaning on stairs.

SAFETY WARNINGS FOR BATTERY PACK

- a) Do not dismantle, open or shred battery pack.
- b) Do not expose battery pack to heat or fire. Avoid storage in direct sunlight.
- c) Do not short-circuit a battery pack. Do not store battery packs haphazardly in a box or drawer where they may short-circuit each other or be short-circuited by other metal objects. When battery pack is not in use, keep it away from other metal objects, like paper clips, coins, keys, nails, screws or other small metal objects, that can make a connection from one terminal to another. Shorting the battery terminals together may cause burns or fire.
- d) Do not subject battery pack to mechanical shock.
- e) In the event of battery leaking, do not allow the liquid to come in contact with the skin or eyes. If contact has been made, wash the affected area with copious amounts of water and seek medical advice.
- f) Do not use any battery pack which is not designed for use with the appliance.
- g) Keep battery pack out of the reach of children.
- h) Always purchase the battery pack recommended by the device manufacturer for the equipment.
- i) Keep battery pack clean and dry.
- j) Wipe the battery pack terminals with a clean dry cloth if they become dirty.
- k) Battery pack needs to be charged before use. Always use the correct charger and refer to the manufacturer's instructions or equipment manual for proper charging instructions.
- l) Do not leave battery pack on prolonged charge when not in use.
- m) After extended periods of storage, it may be necessary to charge and discharge the battery pack several times to obtain maximum performance.
- n) Recharge only with the charger specified by Kress. Do not use any charger other than that specifically provided for use with the equipment.
- o) Retain the original product literature for future reference.
- p) Use only the battery pack in the application for which it was intended.
- q) Remove the battery pack from the equipment when not in use.
- r) Dispose of properly.

- s) Do not mix cells of different manufacture, capacity, size or type within a device.
- t) Keep the battery away from microwaves and high pressure.

SAVE THESE INSTRUCTIONS

SYMBOLS

	Read the operator's manual
	To reduce the risk of injury, user must read instruction manual
	Warning
	Wear eye protection
	Do not expose to rain
	Wear ear protection
	Keep bystanders away
	Warning of hazard
	Remove battery from the socket before carrying out any adjustment, servicing or maintenance.
 Li-Ion	Li-Ion battery, battery must be recycled
	Do not burn



Batteries may enter water cycle if disposed improperly, which can be hazardous for ecosystem. Do not dispose of waste batteries as unsorted municipal waste.



call2recycle

POSITEC Inc. has established a partnership with the RBRC Corporation to recycle any Positec batteries with the RBRC-call2recycle seal. For environmental protection, please do not discard batteries in the trash. After the batteries' life cycle is ended, then please call 1-800-822-8837 for a free service that will properly dispose of the battery.

TECHNICAL DATA

Type Designation **KG560 KG560.X KG561 KG561.X** (5- designation of machinery, representative of blower)

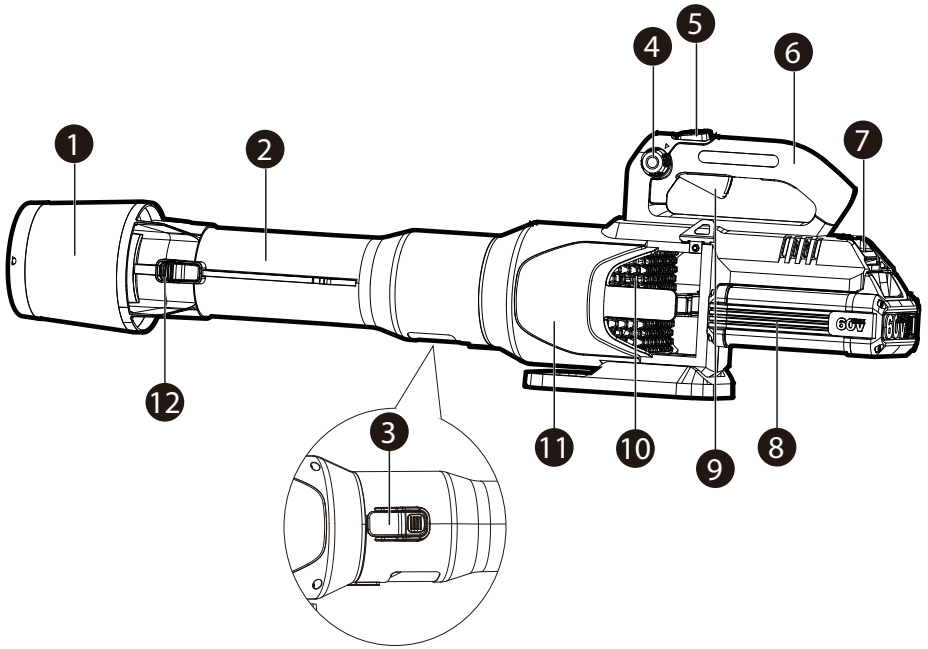
	KG560 KG560.X *	KG561 KG561.X *
Voltage	60 V \approx Max.**	
Maximum air volume	750 cfm (1275 m ³ /h) (Air volume mode)	850 cfm (1445 m ³ /h) (Air volume mode)
Maximum air speed	140 mph (224 km/h) (Air speed mode)	175 mph (280 km/h) (Air speed mode)
Machine weight (bare tool)	4.85 lbs (2.2 kg)	4.85 lbs (2.2 kg)

* X may be followed by one or two characters. All models are the same except model number and trademark. The suffix in models may be number from "1" to "999" or English letter "A" to "Z" or "M1" to "M9" which means different package or the various of accessories packed in the package.

** Voltage measured without workload. Initial battery voltage reaches maximum of 60 volts. Nominal voltage is 54 volts.

Category	Type	Capacity
60V Battery	KA3000	2.0 Ah
	KA3001	2.5 Ah
	KA3002	4.0 Ah
	KA3008	5.0 Ah
60V Charger	KA3712	3.0 A
	KA3714	5.0 A

We recommend that you purchase your accessories listed in the above list from the same store that sold you the tool. Refer to the accessory packaging for further details. Store personnel can assist you and offer advice.



COMPONENT LIST

1. NOZZLE

 2. BLOWER TUBE

 3. TUBE RELEASE BUTTON

 4. VARIABLE SPEED DIAL

 5. TURBO BUTTON FOR POWER BOOSTING

 6. HANDLE

 7. BATTERY PACK RELEASE BUTTON

 8. BATTERY PACK ***

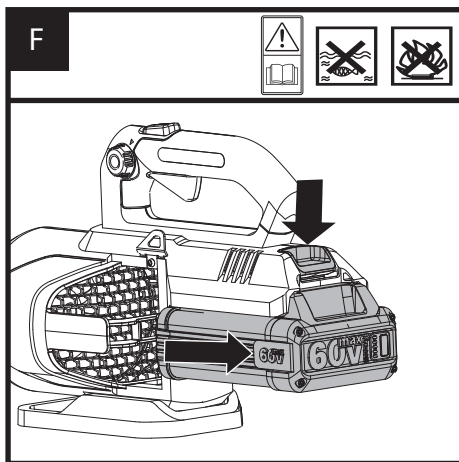
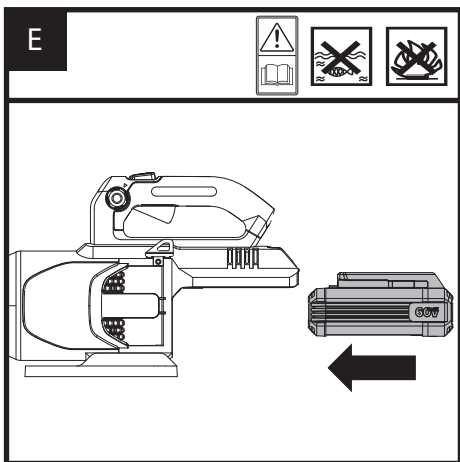
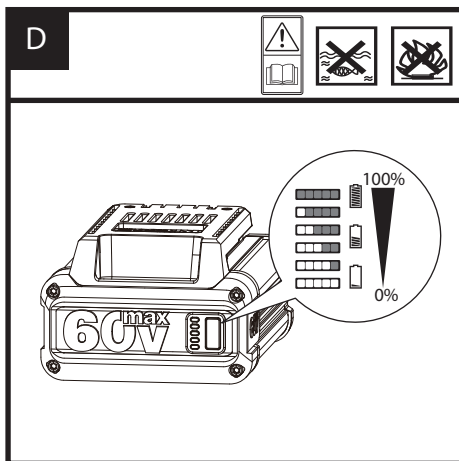
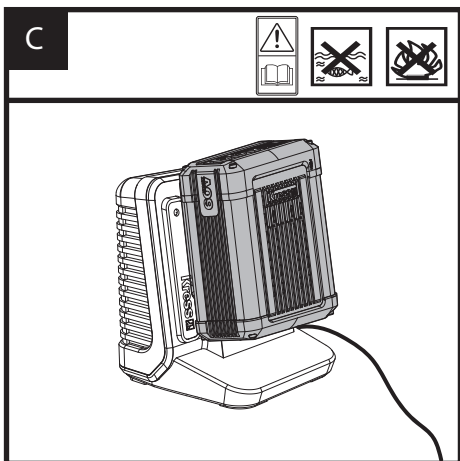
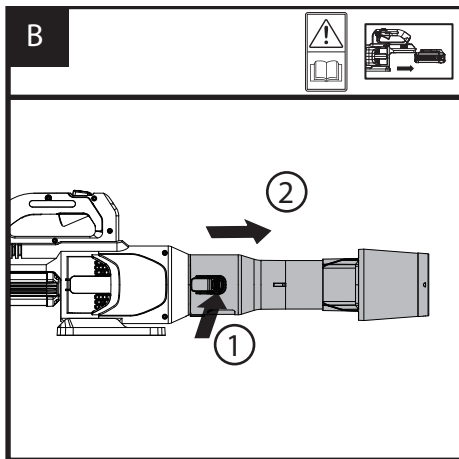
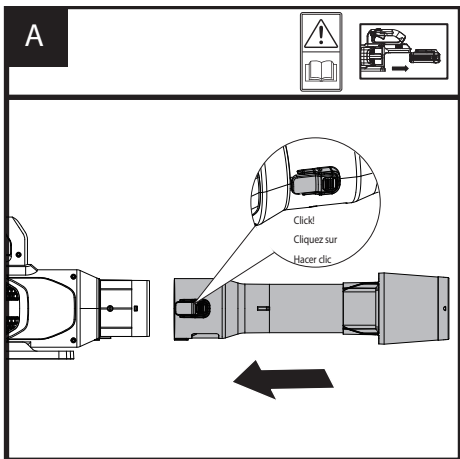
 9. TRIGGER

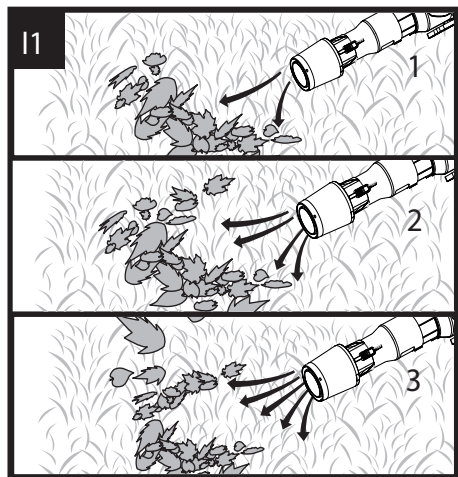
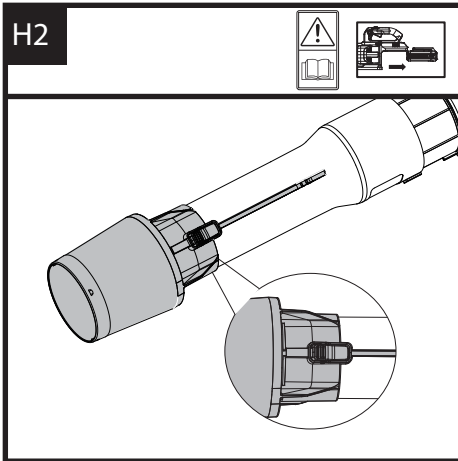
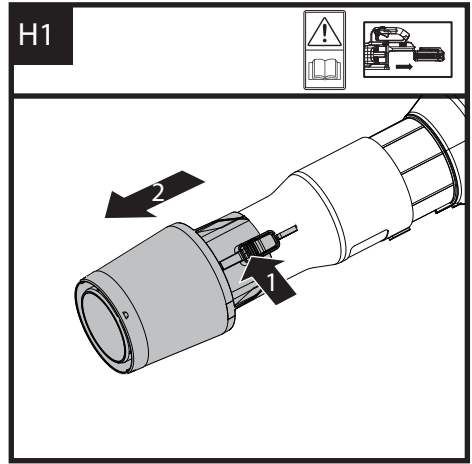
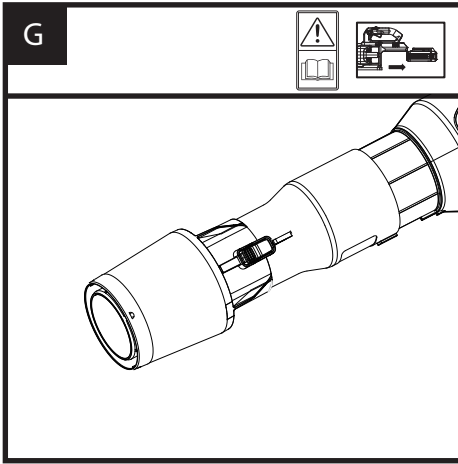
 10. AIR INTAKE

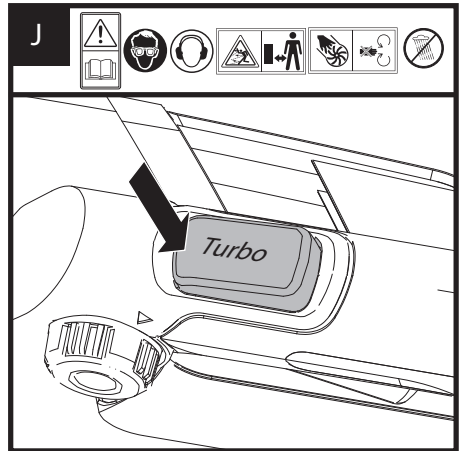
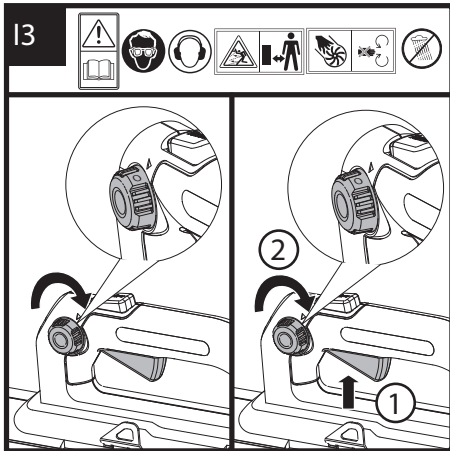
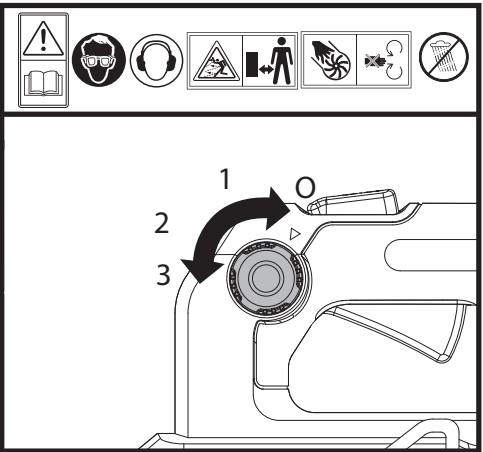
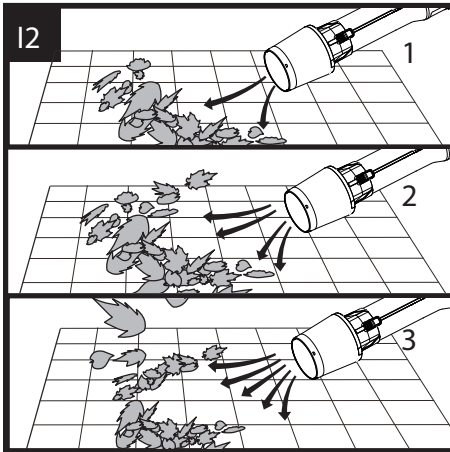
 11. MOTOR HOUSING

 12. AIRSPEED SELECTOR - NOZZLE RELEASE BUTTON
-

*** Not all the accessories illustrated or described are included in standard delivery.







INTENDED USE

The blower is intended for residential use only. Use the blower outdoors to move yard debris as needed.

BEFORE OPERATION

Assembling & Disassembling the blower tube

To Assemble (Fig. A)

- Align the groove and push the tube onto the blower housing until you hear a “click”.

To Disassemble (Fig. B)

- Press the tube-release button and pull the tube out.




Charging the battery pack (Fig. C)




- Your battery pack is partly charged and needs to be fully charged before first use.
- More details can be found in charger’s manual.

WARNING! The charger and battery pack are specially designed to work together, so do not attempt to use any other devices. Never insert or allow metallic objects into your charger or battery pack connections because of an electrical failure and hazard will occur.

Checking the battery charge condition (See Fig. D)

The battery level can be known from the battery indicator light by pressing the button beside the lights. Before starting or after use, press the button beside the power indicator light on the battery pack to check the battery capacity.

Remarks	LED-light	Battery condition
Five green lights are illuminated.		70% ≤ Power level ≤ 100%
Four green lights are illuminated.		50% ≤ Power level < 69%
Three green lights are illuminated.		35% ≤ Power level < 49%

Two green lights are illuminated.		20% ≤ Power level < 34%
One green light are illuminated.		10% ≤ Power level < 19%
No light is illuminated.		Power level < 10%

Installing & Removing the battery pack

To Install (Fig. E)

- After recharging, insert the battery pack into tool’s battery port. A simple push and slight pressure will be sufficient.

To Remove (Fig. F)

- Press the battery release button to release battery pack from your tool.

OPERATION

Air speed mode (FIG.G)

NOTE: The blower is in the air speed mode as packed in the box.

- Air speed mode is recommended for cleaning on grass, as shown in Fig. I1.

Air volume mode (FIG.H1,H2)

- Depress the nozzle release button and slide forward for air volume mode.
- Air volume mode is recommended for cleaning on hard ground such as cement, as shown in Fig. I2.

NOTE: To change modes, slide backward for air speed mode.

To start

Variable Speed Dial control (Fig. I1, I2)

Turn the Variable Speed Dial clockwise or anti-clockwise to increase or decrease the blowing speed / air volume with 3-speed switch.

NOTE: When Variable Speed Dial is in “O” position, the blower cannot be started. Turn the Variable Speed Dial to the desired speed selection which will start the blower.

To stop (Fig. I3)

Turn the Variable Speed Dial clockwise to “O” or depress the Trigger and release it to have a quick stop. Turn the Variable Speed

Dial clockwise to “O” position after each use.

NOTE: After completing the quick stop, Variable Speed Dial will not work until you have the throttle trigger fully depressed.

USER TIPS

- Hold the blower tube approximately 8” above the ground when operating the tool. Use a sweeping motion from side to side. Advance slowly keeping the accumulated debris/leaves in front of you.
- After blowing the debris/leaves into a pile, it is easy to dispose of the pile.

CAUTION!

- Do not blow hard objects such as nails, bolts, or rocks.
- Do not operate the blower near bystanders or pets.
- Use extra care when cleaning debris from stairs or other tight areas.
- Wear safety goggles or other suitable eye protection, long pants, and shoes.

Turbo button for power boosting (Fig. J)



- Press the turbo button for power boosting while working to temporarily increase the air flow to the maximum level
- Release the Turbo button, the blower will return to the previously selected speed.

Note: Turbo button for power boosting can increase air flow significantly, and it can be used for clearing heavy or wet debris.

CLEANING THE TOOL

Clean the tool regularly.



WARNING! Keep your product dry. Under no circumstances spray with water.

- To clean the tool, remove battery and use only mild soap and a damp cloth.
- Do not use any type of detergent, cleaner or solvent which may contain chemicals that could seriously damage the plastic.
- Self lubricating bearings are used in your product, therefore lubrication is not required.
- Assure that there is no debris blocking the intake port area of the blower.

FOR BATTERY TOOLS

The ambient temperature range for the use and storage of tool and battery is 0 °C-45 °C (32 °F-113 °F).

The recommended ambient temperature range for the charging system during charging is 0 °C-40 °C (32 °F-104 °F).

TABLE DES MATIÈRES

Introduction.....	15
Instructions de Sécurité Importantes.....	16
Symboles.....	19
Spécifications.....	20
Liste des composants.....	22
Fonctionnement.....	23
Nettoyage de L'outil.....	24

INTRODUCTION

Cher client(e),

Merci d'avoir acheté ce produit Kress. Nous nous engageons à développer des produits de haute qualité pour répondre à vos exigences en matière d'entretien de pelouses et de jardins.

La marque Kress est synonyme de service de qualité supérieure. Pendant durée de vie de vos produits, si vous avez des questions ou des préoccupations concernant ces produits, veuillez contacter votre site d'achat ou notre équipe de service à la clientèle pour obtenir de l'aide.

Nous sommes convaincus que vous apprécierez de travailler avec votre produit Kress dans les années à venir.

UTILISATION PRÉVUE DU VENTILATEUR

La souffleuse est conçue pour une utilisation privée uniquement. Utilisez la souffleuse en extérieur pour déplacer des débris selon les besoins.

SÉCURITÉ DU PRODUIT

AVERTISSEMENT: Certaines des poussières produites en utilisant des outils électriques sont considérées par l'État de Californie comme susceptibles de provoquer le cancer, des anomalies congénitales et d'autres problèmes de reproduction. Voici des exemples de ces produits chimiques:

- Plomb issu de peinture à base de plomb;
- Silice cristalline issue de briques et du ciment et autres produits de maçonnerie;
- Arsenic et chrome issus de bois traité chimiquement.

Votre risque de ces expositions varie en fonction de la fréquence à laquelle vous effectuez ce travail. Pour réduire votre exposition à ces produits chimiques: travaillez dans une zone bien ventilée; portez un équipement de sécurité approuvé, tel que des masques antipoussières spécialement conçus pour éliminer les particules microscopiques par filtrage.

AVERTISSEMENT: Ce dispositif peut vous exposer aux produits chimiques notamment le plomb et le di-phtalate (de 2-éthylhexyle) (DEHP) qui sont reconnus dans l'État de Californie comme causant des cancers et des anomalies congénitales ou d'autres anomalies de la reproduction. Pour en savoir plus, veuillez consulter le site www.P65Warnings.ca.gov.

CONSIGNES DE SÉCURITÉ

AVERTISSEMENT! Lisez et assimilez toutes les instructions. Le non-respect des instructions ci-après peut entraîner un risque de choc électrique, d'incendie et/ou de blessures graves.

POUR TOUS LES APPAREILS

- 1) Évitez les environnements dangereux. N'utilisez pas les appareils dans des environnements très humides ou mouillés.
- 2) N'utilisez pas sous la pluie.
- 3) Éloignez les enfants et les animaux domestiques - Tous les visiteurs doivent être tenus à distance de la zone de travail.
- 4) Habillez-vous convenablement. Ne portez pas des vêtements lâches ou des bijoux.



Ils peuvent se prendre dans les pièces en mouvement. L'utilisation de gants de caoutchouc et chaussures épaisses est recommandée lors de travaux

extérieurs. Portez un casque ou un chapeau si vous avez les cheveux longs. **NE LAISSEZ PAS LES CHEVEUX ENTRER EN CONTACT AVEC LE PORT D'ADMISSION DU VENTILATEUR**

- 5) Utilisez des lunettes de sécurité. Toujours porter un masque pour le visage ou pour la poussière si l'opération est poussiéreuse. Il est recommandé de toujours porter une protection auditive lorsqu'un appareil électrique est utilisé.
- 6) Utilisez le bon appareil. N'utilisez pas l'appareil pour tout autre travail que pour celui auquel il est destiné.
- 7) Ne forcez pas l'appareil. Il va faire un meilleur travail et avec moins de risques de blessure en travaillant au taux de charge pour lequel il a été conçu.
- 8) N'essayez pas d'utiliser l'appareil hors de votre portée normale. Gardez votre équilibre et les pieds bien ancrés en tout temps.
- 9) Restez alerte. Faites attention à ce que vous faites. Utilisez le bon sens. N'utilisez pas l'appareil lorsque vous êtes fatigué.
- 10) Entreposez à l'intérieur les appareils qui ne sont pas utilisés fréquemment. Lorsqu'inutilisés, les appareils devraient être entreposés à l'intérieur dans un endroit sec, élevé et gardé sous clef, hors de la portée des enfants.
- 11) Entretenez les appareils avec soins. Suivez les instructions pour lubrifier et changer les accessoires. Gardez les poignées sèches, propres, et libres d'huile et de graisse.
- 12) Vérifier les pièces endommagées. Avant d'employer l'appareil, une garde ou autre pièce endommagée devrait être soigneusement vérifiée afin de déterminer qu'elle fonctionnera correctement et exécutera la fonction pour laquelle elle a été conçue. Vérifier l'alignement des parties mobiles, leur pincement, la brisure de pièces, montage, et toute autre condition qui peut affecter son opération. Une garde ou autre pièce endommagée devrait être correctement réparée ou remplacée par un centre de service autorisé à moins d'avis contraire ailleurs dans ce manuel.

CONSIGNES DE SECURITE POUR TOUS LES APPAREILS DE JARDINAGE FONCTIONNANT AVEC UNE BATTERIE

1. Pour éviter le démarrage non intentionnel, s'assurer que le bouton de démarrage est en position d'arrêt avant de brancher l'appareil au chargeur ou de le prendre ou de le transporter. Un accident pourrait arriver si vous vous promenez avec l'appareil avec le doigt sur l'interrupteur ou sur le dispositif de charge dont l'interrupteur est en position de charge.
2. Débranchez le bloc de batterie de l'appareil avant de faire des réglages, de remplacer des accessoires ou de ranger l'appareil. De telles mesures de sécurité réduisent les risques de démarrer l'appareil accidentellement.
3. Rechargez le bloc batterie uniquement avec le chargeur spécifié par Kress. Un chargeur adapté à un type de batterie peut entraîner un risque d'incendie lorsqu'il est utilisé avec une autre batterie.
4. Utilisez les appareils uniquement avec les batteries spécifiquement indiquées. L'utilisation de toute autre batterie pourrait créer un risque de lésions et d'incendie.
5. Lorsque la batterie n'est pas utilisée, tenez-la à l'écart d'autres objets métalliques, tels que les trombones, les pièces de monnaie, les clés, les clous, les vis ou d'autres petits objets métalliques, qui peuvent établir la connexion d'une borne à l'autre. Court-circuiter les bornes de la batterie peut provoquer des brûlures ou un incendie.
6. Dans des conditions d'utilisation abusive, du liquide pourrait s'éjecter de la batterie; évitez tout contact. Si vous entrez accidentellement en contact avec le liquide, passez la partie du corps touchée sous le robinet. Si vos yeux entrent en contact avec le liquide, vous devez consulter immédiatement un médecin. Le liquide expulsé de la batterie peut causer des irritations ou des brûlures.
7. Ne pas utiliser une batterie ou un appareil qui est endommagé ou modifié. Les batteries endommagées ou modifiées peuvent présenter des comportements imprévisibles entraînant un incendie, une explosion ou le risque de blessures.
8. Ne pas exposer une batterie ou un appareil au feu ou à une température excessive. L'exposition au feu ou à une température au-dessus de 130°C pourrait causer une explosion.
9. Respecter toutes les consignes de charge et ne

pas charger la batterie ou l'appareil en dehors de la plage de température indiquée dans les consignes. Mal charger ou à des températures en dehors de la plage indiquée peut endommager la batterie et accroître le risque d'incendie.






10. Faites faire le service par un technicien de réparation compétent qui ne doit utiliser que des pièces de rechange identiques. Ceci maintiendra la sécurité du produit.
11. Ne pas modifier ou essayer de réparer l'appareil ou la batterie (selon le cas) sauf comme indiqué dans les consignes d'utilisation et d'entretien.

INSTRUCTIONS SUPPLÉMENTAIRES CONCERNANT LA SÉCURITÉ AVERTISSEMENT CONSIGNES DE SÉCURITÉ

Vous devez lorsque vous utilisez des appareils électriques toujours prendre des précautions élémentaires, y compris les suivantes:

LISEZ TOUTES LES INSTRUCTIONS AVANT D'UTILISER CET APPAREIL AVERTISSEMENT POUR RÉDUIRE LE RISQUE D'INCENDIE, D'ÉLECTROCUTION OU DE BLESSURE:

1. Pour réduire le risque d'électrocution. Ne pas utiliser sur surfaces mouillées. Garder le à l'abri de la pluie. Ranger à l'intérieur.
2. Ne pas le laisser utiliser comme un jouet. Une surveillance toute particulière est exigée quand il est utilisé par ou à proximité d'enfants.
3. N'utiliser que selon les instructions décrites dans le manuel. N'utiliser que selon les

- pièces jointes recommandées du fabricant.
4. Si l'appareil ne fonctionne pas comme il devrait, s'il a été tombé, endommagé, laissé dehors, ou immergé dans du liquide, apportez-le dans un centre de réparation.
 5.  Gardez les cheveux, les vêtements larges, les doigts, et toutes les parties du corps éloignés des ouvertures et des pièces en mouvement.
 6. Ne pas recharger l'appareil sur une prise extérieure. 
 7. Employez uniquement le chargeur fourni par le fabricant pour la recharge de l'appareil.
 8. Ne pas mettre l'appareil au feu même lorsqu'il est gravement endommagé, car cela pourrait faire exploser les piles.
 9.  Ne pas jeter d'objets dans les orifices.  Ne pas utiliser avec un orifice bloqué; gardez libre de poussière, peluche, cheveux, et n'importe quoi qui peut réduire les flux d'air.
 10. Ne manipulez pas la fiche du chargeur ou de l'appareil avec les mains mouillées. 
 11. Ne quittez pas l'appareil lorsqu'il est branché. Débranchez-le de la prise murale lorsque vous ne l'utilisez pas ou avant de le réparer.
 12. Eteignez toutes les commandes avant de débrancher l'appareil.
 13. Soyez particulièrement précautionneux lorsque vous utilisez l'appareil dans des escaliers.

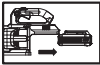




CONSIGNES GÉNÉRALES DE SÉCURITÉ CONCERNANT LA BATTERIE

- a) Ne pas démonter, ouvrir ou déchiqueter le bloc batterie.
- b) Ne pas exposer le bloc batterie à la chaleur ou au feu. Évitez de ranger la batterie dans un endroit exposé à la lumière directe du soleil.
- c) Ne pas court-circuiter une batterie. Ne stockez pas les blocs batterie en vrac dans une boîte ou un tiroir où ils peuvent se court-circuiter ou être court-circuités par d'autres objets métalliques. Lorsque le bloc batterie n'est pas utilisé, conservez-le loin d'autres objets métalliques, tels que des trombones, des pièces de monnaie, des clés, des clous, des vis ou d'autres objets métalliques de petite taille, qui pourraient établir une connexion d'un terminal à l'autre. Le fait de créer un court-circuit entre les bornes de la batterie peut causer des brûlures ou des incendies.
- d) Ne pas soumettre la batterie à des chocs mécaniques.
- e) En cas de fuite de la batterie, ne pas laisser le liquide entrer en contact avec la peau ou les yeux. Si un contact a été effectué, laver la zone touchée avec beaucoup d'eau et consulter un médecin.
- f) Ne pas utiliser de batterie qui n'a pas été conçue pour être utilisée avec cet appareil.
- g) Maintenez la batterie hors de portée des enfants.
- h) Achetez toujours une batterie recommandée par le fabricant de l'appareil.
- i) Conservez le bloc batterie propre et sec.
- j) Essuyez les bornes de la batterie avec un chiffon propre et sec si elles deviennent sales.
- k) La batterie doit être chargée avant son utilisation. Utilisez toujours le chargeur adapté et reportez-vous aux instructions du fabricant ou au manuel de l'équipement pour suivre les instructions concernant la procédure de charge.
- l) Ne laissez pas le bloc batterie en charge prolongée lorsqu'il n'est pas utilisé.
- m) Après de longues périodes de stockage, il peut être nécessaire de charger et de décharger la batterie plusieurs fois pour obtenir des performances optimales.
- n) Rechargez le bloc batterie uniquement avec le chargeur spécifié par Kress. N'utilisez pas un chargeur autre que celui spécifiquement conçu pour être utilisé avec l'équipement.
- o) Conservez la documentation originale du produit pour référence ultérieure.
- p) Utilisez uniquement la batterie dans l'application pour laquelle elle a été prévue.
- q) Retirez la batterie de l'équipement lorsqu'il n'est pas utilisé.
- r) Éliminez la batterie de façon adéquate.
- s) Ne pas mélanger des cellules de fabricants, de capacités, de tailles ou de type différents dans un appareil.
- t) N'exposez pas la batterie à des micro-ondes et de la haute pression.

CONSERVEZ CES INSTRUCTIONS

SYMBOLES

	Lisez le mode d'emploi.
	Afin de réduire les risques de blessure, l'utilisateur doit lire ce mode d'emploi
	Avertissement
	Portez une protection auditive
	Ne pas utiliser l'appareil ou le laisser à l'extérieur lorsqu'il pleut.
	Portez un protecteur oculaire
	Ne laisser personne aux alentours
	Avertissement de danger

	Retirer le bloc-piles de l'outil avant d'effectuer tout ajustement, entretien ou maintenance.
	Batterie Li-ion. Les batteries doivent être recyclées.
	Ne pas jeter au feu
	Les batteries peuvent s'introduire dans le cycle de l'eau si elles sont éliminées de manière inappropriée, ce qui peut être dangereux pour l'écosystème. Ne pas éliminer les batteries usagées avec les déchets municipaux non triés.
	call2recycle® POSITEC Inc. a formé un partenariat avec RBRC Corporation pour le recyclage des batteries Positec portant le sceau RBRC-call2recycle. Pour la protection de l'environnement, veuillez à ne pas jeter les batteries aux poubelles. À la fin du cycle de vie de la batterie, appelez 1-800-822-8837 pour un service gratuit qui mettra la batterie au rebut selon les règles de l'art.

DONNÉES TECHNIQUES

Désignation du type **KG560 KG560.X KG561 KG561.X (5** - désignation de la machine, modèle de ventilateur)

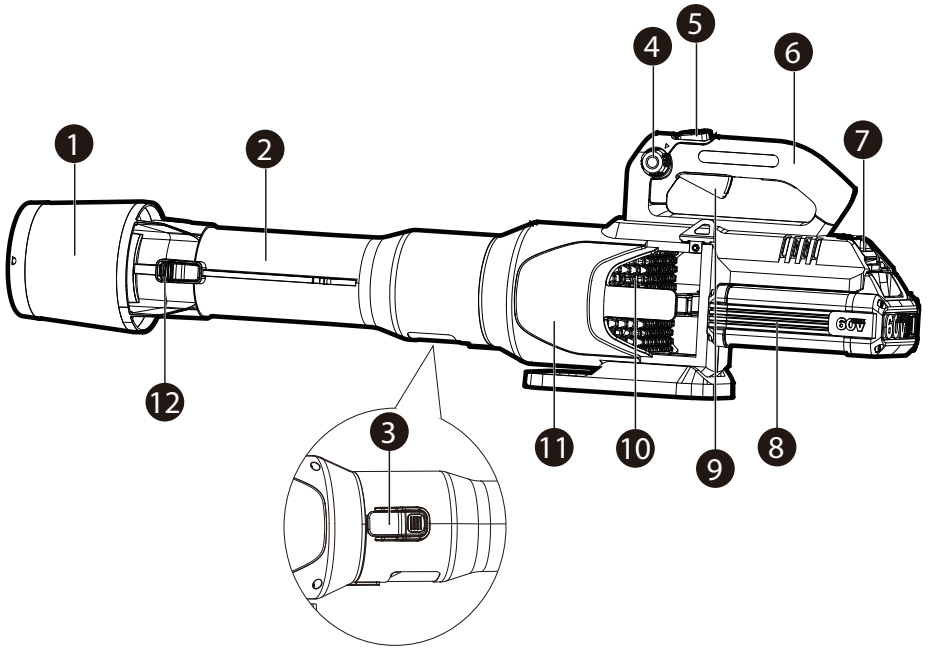
	KG560 KG560.X *	KG561 KG561.X *
Tension	60 V \approx Max.**	
Volume d'air maximal	750 cfm (1275 m ³ /h) (Mode volume d'air)	850 cfm (1445 m ³ /h) (Mode volume d'air)
Vitesse d'air maximale	140 mph (224 km/h) (Mode de vitesse d'air)	175 mph (280 km/h) (Mode de vitesse d'air)
Poids de l'outil (Outil nu)	2.2 kg (4.85 lbs)	2.2 kg (4.85 lbs)

* X peut être suivi d'un ou deux caractères. Tous les modèles sont identiques, sauf le numéro de modèle et la marque. Le suffixe dans les modèles peut être un nombre allant de « 1 » à « 999 » ou une lettre anglaise « A » à « Z » ou « M1 » à « M9 » qui signifie la différence entre les paquets ou les accessoires emballés dans l'emballage.

** Tension mesurée hors fonctionnement. La tension initiale de la batterie atteint le maximum de 60 volts. La tension nominale est de 54 volts.

Catégorie	Modèle	Capacité
60V Batterie	KA3000	2.0 Ah
	KA3001	2.5 Ah
	KA3002	4.0 Ah
	KA3008	5.0 Ah
60V Chargeur	KA3712	3.0 A
	KA3714	5.0 A

Nous vous recommandons d'acheter tous vos accessoires au même magasin où vous avez acheté l'outil. Pour de plus amples renseignements, consultez l'emballage de l'accessoire. Le personnel du magasin peut également vous conseiller.



LISTE DES ÉLÉMENTS

1. BUSE

 2. TUBE DE VENTILATEUR

 3. BOUTON DE DÉVERROUILLAGE DU TUBE

 4. MOLETTE DE VITESSE VARIABLE

 5. BOUTON TURBO POUR AUGMENTER LA PUISSANCE

 6. POIGNÉE

 7. BOUTON DE DÉVERROUILLAGE DE BLOC DE BATTERIE

 8. BLOCS-PILES ***

 9. GÂCHETTE

 10. PORT D'ADMISSION D'AIR

 11. LOGEMENT DU MOTEUR

 12. SÉLECTEUR DE DÉBIT D'AIR - BOUTON DE DÉVERROUILLAGE DE LA BUSE
-

***Les accessoires illustrés ou décrits ne sont pas tous compris dans le cadre de la livraison standard.

UTILISATION PRÉVUE

La souffleuse est conçue pour une utilisation privée uniquement. Utilisez la souffleuse en extérieur pour déplacer des débris selon les besoins.

AVANT L'OPÉRATION

ASSEMBLAGE ET DÉMONTAGE DU TUBE DU VENTILATEUR

Pour l'assemblage (Fig. A)

- Alignez la rainure et poussez le tube sur le boîtier du ventilateur jusqu'à ce que vous entendiez un « clic ».

Pour le démontage (Fig. B)

- Appuyez sur le bouton de déverrouillage du tube et retirez le tube.

Chargement de la batterie (Fig. C)



- Votre batterie est partiellement chargée et doit être complètement chargée avant la première utilisation





- Des informations supplémentaires sont disponibles dans le manuel du chargeur

⚠ AVERTISSEMENT! Le chargeur et le bloc-piles ont été conçus spécifiquement pour travailler ensemble, alors ne tentez pas d'utiliser d'autres dispositifs. Ne jamais insérer ou permettre que des objets métalliques soient introduits dans les bornes de connexions de votre chargeur ou bloc-pile, parce qu'une défaillance électrique et un danger vont se produire.

Vérification de l'état de charge de batterie (Fig. D)

Le niveau de la batterie peut être vérifié en appuyant sur le bouton indicateur d'alimentation à côté des voyants de la batterie. Appuyez sur le bouton avant et après chaque utilisation pour vérifier la batterie

Remarques	Voyant LED	État de la batterie
Cinq voyants verts sont allumés.		70 % ≤ niveau de puissance ≤ 100 %
Quatre voyants verts sont allumés.		50 % ≤ Niveau de puissance < 69 %

Trois voyants verts sont allumés.		35 % ≤ Niveau de puissance < 49 %
Deux voyants verts sont allumés.		20 % ≤ Niveau de puissance < 34 %
Un voyant vert est allumé.		10 % ≤ Niveau de puissance < 19 %
Aucun voyant n'est allumé.		Niveau de puissance < 10 %

INSTALLATION ET RETRAIT DE LA BATTERIE

Pour l'installation (Fig. E)

- Après la recharge, insérez la batterie dans le logement de batterie de l'outil. Une simple poussée et une légère pression suffiront.

Pour le retrait (Fig. F)

- Appuyez sur le bouton de déverrouillage de la batterie pour libérer la batterie de votre outil.

FONCTIONNEMENT

MODE DE VITESSE D'AIR (FIG. G)

REMARQUE : le ventilateur est en mode de vitesse d'air lorsqu'il est qu'emballé dans la boîte.

- Le mode de vitesse d'air est recommandé pour le nettoyage sur de l'herbe, comme indiqué sur la Fig. I1

MODE DE VOLUME D'AIR (FIG. H1, H2)

- Appuyez sur le bouton de déverrouillage de la buse et faites glisser vers l'avant pour le mode de volume d'air.
- Le mode volume d'air est recommandé pour le nettoyage sur un sol dur comme le ciment, comme indiqué sur la Fig. I2

REMARQUE : Pour changer de mode, faites glisser vers l'arrière pour le mode de vitesse d'air.

DÉMARRAGE **COMMANDE DE MOLETTE CADRAN À** **VITESSE VARIABLE (FIG. I1, I2):**

Tournez la molette de vitesse variable dans le sens des aiguilles d'une montre ou dans le sens inverse des aiguilles d'une montre pour augmenter ou diminuer la vitesse de ventilation / le volume d'air avec l'interrupteur à 3 vitesses.

REMARQUE : Lorsque le sélecteur de vitesse variable est en position « O », le souffleur ne peut pas être mis en marche. Tournez le sélecteur de vitesse variable jusqu'à la sélection de la vitesse souhaitée pour démarrer le souffleur.

POUR ARRÊTER (FIG. I3)

Tournez la molette de vitesse variable dans le sens horaire sur « O » ou appuyez sur la gâchette et relâchez-la pour avoir un arrêt rapide et tournez la molette de vitesse variable dans le sens horaire sur la position « O » après chaque utilisation.

REMARQUE: Après avoir actionné l'arrêt rapide, le bouton de vitesse variable ne fonctionnera pas tant que vous n'aurez pas appuyé à fond sur la gâchette de l'accélérateur.

CONSEILS D'UTILISATION

- Maintenez le tube du ventilateur à environ 8" au-dessus du sol lorsque vous utilisez l'outil. Utilisez en faisant un mouvement de balayage d'un côté à l'autre. Avancez lentement en gardant les débris/feuilles accumulés devant vous.
- Après avoir rassemblés les débris / feuilles dans une pile, il est facile de se débarrasser de la pile constituée.

ATTENTION !

- Ne dirigez pas le jet d'air sur des objets durs tels que des clous, des boulons ou des cailloux.
- Ne pas faire fonctionner le ventilateur près de passants ou d'animaux domestiques.
- Faites très attention lorsque vous nettoyez les débris d'escaliers ou d'autres zones restreintes.
- Portez des lunettes de sécurité ou autres protections oculaires appropriées, un pantalon et des chaussures.

BOUTON TURBO POUR AUGMENTER LA **PUISSANCE (FIG. J)**

- Appuyez sur le bouton turbo pour augmenter la puissance pendant le travail pour augmenter temporairement le débit d'air au niveau maximum
- Relâchez le bouton Turbo, le ventilateur reviendra à la vitesse précédemment sélectionnée.

REMARQUE : le bouton turbo pour augmenter la puissance peut accélérer considérablement le débit d'air et peut être utilisé pour nettoyer les débris lourds ou humides.

NETTOYAGE DE L'OUTIL

Nettoyez régulièrement l'outil.



Avertissement! Gardez le produit au sec.
Ne l'arrosez jamais avec de l'eau.

- Pour nettoyer l'outil, utilisez une solution d'eau savonneuse et un chiffon humide.
- N'utilisez aucun type de détergeant, de nettoyeur ou de solvant qui contient des agents chimiques risquant d'endommager le plastique de l'outil.
- Des roulements auto-lubrifiés sont installés dans l'outil. Aucune lubrification n'est donc requise.
- Assurez-vous qu'aucun débris ne bloque la zone du port d'admission du ventilateur.

POUR LES OUTILS DE LA **BATTERIE**

La plage de température ambiante pour l'utilisation et le stockage de l'outil et de la batterie est 0 °C à 45 °C (32 °F-113 °F).

La plage de température ambiante recommandée pour le système de charge pendant la charge est de 0 °C à 40 °C (32 °F-104 °F).

TABLA DE CONTENIDO

Introducción.....	25
Instrucciones Importantes de Seguridad.....	26
Símbolos.....	29
Especificaciones.....	30
Lista de Componentes.....	32
Funcionamiento.....	33
Limpieza de La Herramienta.....	34

INTRODUCCIÓN

Estimado Cliente,

Gracias por comprar este producto Kress. Nos dedicamos a desarrollar productos de alta calidad para satisfacer las exigencias de sus césped y jardín.

La marca Kress es sinónimo de servicio de calidad superior. Con el paso de los años de vida de sus productos, si usted tiene dudas o preocupaciones sobre su producto, busque ayuda en el lugar de compra o con nuestro Equipo de Servicios al Cliente.

Confiamos que disfrutará los años venideros trabajando con su producto Kress.

USO PREVISTO DEL SOPLADOR

El soplador se encuentra diseñado sólo para uso residencial. Utilice el soplador en exteriores para mover los desechos cuando sea necesario.

SEGURIDAD DEL PRODUCTO

ADVERTENCIA: El polvo originado por la utilización de herramientas motorizadas contiene químicos que, según el Estado de California, causan cáncer, defectos congénitos y otros daños reproductivos. Algunos ejemplos de esos productos químicos son:

- El plomo de las pinturas a base de plomo;
- La sílice cristalina de los ladrillos, del cemento y de otros productos de albañilería;
- El arsénico y el cromo de la madera tratada químicamente.

El riesgo que se corre a causa del contacto con esos productos varía según la frecuencia con que usted realice este tipo de trabajos. Con el fin de reducir su exposición a esas substancias químicas: trabaje en un área bien ventilada; utilice un equipo de seguridad adecuado, tal como una máscara contra el polvo especialmente diseñada para filtrar partículas microscópicas.


ADVERTENCIA: Este producto puede exponerlo a sustancias químicas, como plomo y di (2-etilhexilo) ftalato (DEHP), que el estado de California reconoce como causantes de cáncer y defectos de nacimiento u otros daños reproductivos. Para más información visite www.P65Warnings.ca.gov.

INSTRUCCIONES DE SEGURIDAD

ADVERTENCIA: Lea y comprenda todas las instrucciones. El no seguir todas las instrucciones a continuación puede ocasionar descargas eléctricas, incendios y/o heridas graves.

PARA TODAS LAS HERRAMIENTAS:

- 1) Evite ambientes peligrosos. No utilice las herramientas en lugares húmedos o mojados.
- 2) No trabaje bajo la lluvia.
- 3) Mantenga lejos a los niños y las mascotas; Todos los visitantes deben mantenerse a una distancia del área de trabajo.

- 4)  Vístase apropiadamente. No use ropas sueltas o alhajas, ya que pueden quedar atrapadas en las piezas móviles. Cuando se trabaja al aire libre se recomienda el uso de guantes de goma y calzado resistente. Use una cubierta protectora del pelo o un sombrero para contener el pelo largo. **NO DEJE QUE EL PELO ENTRE EN CONTACTO CON LA ENTRADA DEL SOPLADOR**
- 5) Utilice gafas de seguridad. Emplee siempre máscara para la cara o máscara anti-polvo en operaciones donde se emite mucho polvo. Es una buena práctica usar siempre protección auditiva cuando se trabaja con aparatos de potencia.
- 6) Utilice la herramienta correcta. Emplee la herramienta únicamente para la finalidad para la cual fue diseñada.
- 7) No fuerce la herramienta. Hará un trabajo mejor y más seguro a la velocidad para la cual fue diseñada.
- 8) No se extralimite. Manténgase firme y con buen equilibrio en todo momento.
- 9) Permanezca alerta. Ponga siempre atención en lo que está haciendo. Utilice el sentido común. No opere la herramienta cuando esté cansado.
- 10) Guarde las herramientas que no usa en lugares cerrados. Cuando no se encuentran en uso, las herramientas deben guardarse en un lugar seco, elevado o cerrado con llave, lejos del alcance de los niños.
- 11) Mantenga la herramienta con cuidado. Siga las instrucciones para la lubricación y el cambio de accesorios. Mantenga los mangos secos, limpios y libres de aceite y grasa.
- 12) Verifique las piezas dañadas. Las guardas protectoras u otras partes dañadas deben verificarse cuidadosamente antes de cualquier uso futuro de la herramienta, a fin de determinar si funcionarán correctamente y realizarán la función prevista. Compruebe que las piezas móviles se encuentren alineadas y correctamente ajustadas, que no haya rotura de piezas, de montaje o cualquier otra condición que pueda afectar su funcionamiento. Una guarda protectora u otra pieza que se encuentre dañada debe ser reparada o sustituida correctamente en un centro de servicio autorizado, a menos que en este manual de instrucciones se indique lo contrario.

ADVERTENCIAS DE SEGURIDAD PARA LAS HERRAMIENTAS DE JARDINERÍA A BATERÍA:

1. Evite el encendido inadvertido. Asegúrese que el interruptor esté en la posición de apagado antes de conectar el paquete de batería, al levantar o transportar el aparato. Transportar el aparato con su dedo sobre el interruptor o energizar el aparato que tenga el interruptor encendido provoca accidentes.
2. Desconecte el paquete de batería del aparato antes de realizar cualquier ajuste, cambiar los accesorios, o guardar el aparato. Tales medidas preventivas de seguridad reducen el riesgo de encender el aparato por accidente.
3. Recargue únicamente con el cargador especificado por Kress. Un cargador que es adecuado para un tipo de paquete de batería puede crear un riesgo de incendio cuando se usa con otro paquete de batería.
4. Use los electrodomésticos sólo con paquetes de baterías específicamente diseñados. El uso de cualquier otro paquete de baterías puede crear un riesgo de lesiones e incendios.
5. Cuando la batería no esté en uso, manténgala alejada de otros objetos metálicos, como sujetadores de papel, monedas, llaves, clavos, tornillos u otros objetos metálicos pequeños, que puedan establecer una conexión de una terminal a otra. Poner en corto las terminales de la batería puede causar quemaduras o un incendio.
6. Bajo condiciones de abuso, puede expulsarse líquido de la batería; evite el contacto. Si ocurre contacto accidentalmente, lave con agua. Si el líquido entra en contacto con los ojos, busque ayuda médica adicional. El líquido expulsado de la batería puede causar irritación o quemaduras.
7. No use un paquete de batería o aparato dañado o modificado. Las baterías dañadas o modificadas pueden presentar un comportamiento impredecible que puede provocar un incendio, una explosión o un riesgo de lesiones.
8. No exponga la batería o el artefacto al fuego ni a temperaturas excesivas. La exposición al fuego o la temperatura por encima de 130°C pueden causar una explosión.
9. Siga todas las instrucciones de carga y

no cargue la batería o el dispositivo fuera del rango de temperatura especificado en las instrucciones. La carga incorrecta o a temperaturas fuera del rango especificado puede dañar la batería y aumentar el riesgo de incendio.

10. Pida que una persona de reparación calificada dé servicio usando únicamente partes de reemplazo idénticas. Esto garantizará que se mantenga la seguridad del producto.
11. No modifique ni intente reparar el aparato o el paquete de baterías (conforme sea aplicable), excepto como se indica en las instrucciones de uso y cuidado.

INFORMACIÓN DE SEGURIDAD ADICIONAL DE LA HERRAMIENTA

ADVERTENCIA INSTRUCCIONES DE SEGURIDAD

Al utilizar una herramienta eléctrica, se deben tener en cuenta precauciones básicas, incluidas las siguientes:


LEA TODAS LAS INSTRUCCIONES ANTES DE UTILIZAR ESTA HERRAMIENTA


ADVERTENCIA – PARA REDUCIR EL RIESGO DE INCENDIO, DESCARGA ELÉCTRICA O LESIÓN:

1. Para reducir el riesgo de descarga eléctrica, no exponga el aparato a la lluvia. Consérvelo en un entorno interior. No lo utilice sobre superficies mojadas.
2. No permita que se utilice el aparato como un juguete. Preste atención si se utiliza por o en las cercanías de niños.
3. Utilice el aparato únicamente como se

describe en el manual. Utilice sólo los componentes recomendados por el fabricante.


4. Si el aparato no funciona como debiera, se ha caído, queda en el exterior o se sumerge en agua, envíelo al departamento de servicio técnico.

5.  Mantenga el pelo, las prendas holgadas, los dedos y todas las demás partes del cuerpo alejadas de las aberturas y partes móviles.


6. No cargue la unidad en exteriores. 

7. Utilice sólo el cargador suministrado por el fabricante para realizar la recarga.

8. No incinere el producto incluso si presenta daños graves. Las baterías pueden explotar en un incendio.

9.  No coloque ningún objeto sobre las aberturas. No utilice el aparato bloqueando ninguna abertura.

Mantenga el aparato limpio de polvo, hebras, pelo o cualquier otra cosa que pudiera reducir el flujo de aire.

10. No manipule el enchufe del cargador ni el aparato con las manos mojadas. 

11. No abandone el aparato cuando se encuentre conectado. Desconéctelo de la toma si no se encuentra en uso y antes de repararlo.

12. Desactive todos los controles antes de desconectar.

13. Tenga especial cuidado si realiza la limpieza montado sobre una escalera.

otros objetos metálicos. Cuando el paquete de batería no esté en uso, manténgalo alejado de otros objetos metálicos, como sujetadores de papel, monedas, llaves, clavos, tornillos u otros objetos metálicos pequeños que puedan establecer una conexión de una terminal a otra. El corto circuito de las terminales de la batería puede causar quemaduras o incendios.

- d) **No someta el paquete de batería a impacto mecánico.**
- e) **En el caso de fuga de la batería, no permita que el líquido entre en contacto con la piel o los ojos. Si hay contacto, lave el área afectada con bastante agua y busque atención médica.**
- f) **No use ningún paquete de batería que no esté diseñado para uso con el equipo.**
- g) **Mantenga el paquete de batería fuera del alcance de los niños.**
- h) **Siempre adquiera el paquete de batería recomendado por el fabricante del dispositivo para el equipo.**
- i) **Mantenga el paquete de batería limpio y seco.**
- j) **Limpie las terminales del paquete de batería con una tela seca limpia su se ensucian.**
- k) **El paquete de batería se necesita cargar antes del uso. Siempre use el cargador correcto y consulte las instrucciones del fabricante o el manual del equipo para saber las instrucciones correctas de carga.**
- l) **No deje el paquete de batería en carga prolongada cuando no esté en uso.**
- m) **Después de periodos prolongados de almacenamiento, puede ser necesario cargar y descargar el paquete de batería varias veces para obtener el desempeño máximo.**
- n) **Recargue únicamente con el cargador especificado por Kress. No use cargadores que no sean los específicamente suministrados para uso con el equipo.**
- o) **Conserve la literatura el producto original para referencia futura.**
- p) **Sólo use el paquete de batería en la aplicación para la que está diseñado.**
- q) **Retire el paquete de batería del equipo cuando no esté en uso.**
- r) **Deséchelo adecuadamente.**
- s) **No mezcle celdas de diferente fabricación, capacidad, tamaño o tipo dentro del dispositivo.**
- t) **Mantenga la batería lejos de microondas y**

ADVERTENCIAS GENERALES DE SEGURIDAD PARA LA BATERÍA

- a) **No desensamble, abra o triture el paquete de batería.**
- b) **No exponga el paquete de batería a calor o fuego. Evite guardar a la luz directa del sol.**
- c) **No ponga en corto circuito el paquete de batería. No guarde el paquete de batería de forma aleatoria en una caja o cajón donde puedan ponerse en corto circuito entre sí o ponerse en corto circuito por**

no la someta a altas presiones.

CONSERVE ESTAS INSTRUCCIONES

SÍMBOLOS

	Lea el manual del operador
	Para reducir el riesgo de lesiones, el usuario deberá leer el manual de instrucciones
	Advertencia
	Use lentes de seguridad
	No utilice bajo la lluvia o deje en exteriores mientras llueve.
	Emplee protección auditiva
	Mantenga alejadas a las personas que se encuentran cerca
	Advertencia de peligro
	Retire el Paquete de la batería de la herramienta antes de realizar cualquier ajuste, servicio o mantenimiento.



Batería de iones de litio. La batería deberá reciclarse.



No arrojar al fuego



Las baterías pueden entrar al ciclo de agua si se desechan incorrectamente, lo que puede ser peligroso para el ecosistema. No deseché las baterías de desperdicio como desperdicio municipal sin clasificar.



call2recycle
POSITEC Inc. ha establecido una asociación con la empresa RBRC para el reciclaje de todas las baterías Positec que posean el sello RBRC-call2recycle. Para contribuir con la protección del medio ambiente, no deseché las baterías como residuos normales. Después de que haya finalizado el ciclo de vida útil de la batería, comuníquese al 1-800-822-8837 para acceder al servicio gratuito.

DATOS TÉCNICOS

Denominación de tipo **KG560 KG560.X KG561 KG561.X** (5- Denominación de maquinaria, representativa de soplador)

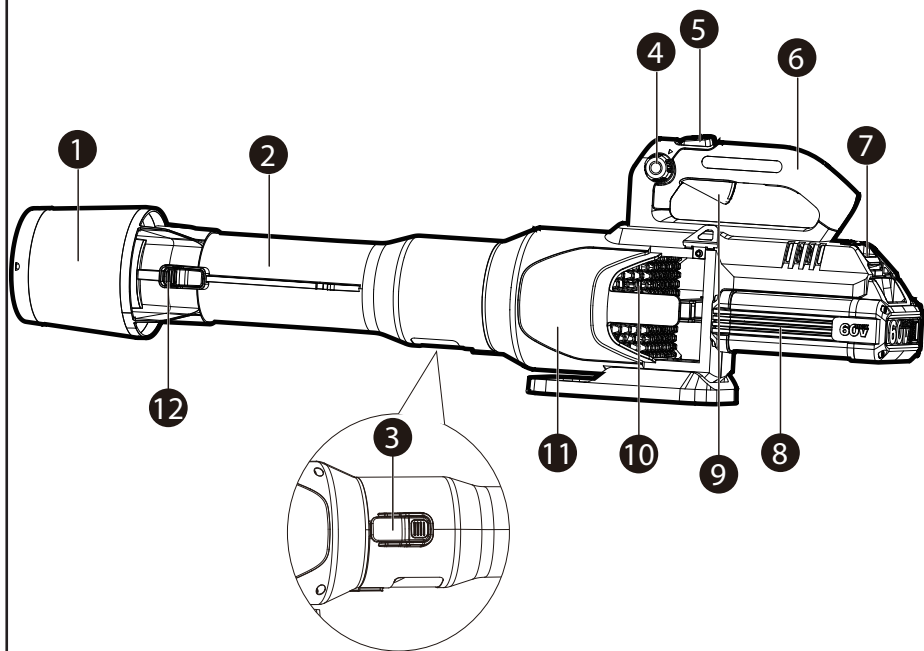
	KG560 KG560.X *	KG561 KG561.X *
Tensión	60 V === Max.**	
Máximo volumen de aire	750 cfm (1275 m ³ /h) (Modo de volumen de aire)	850 cfm (1445 m ³ /h) (Modo de volumen de aire)
Máxima velocidad del aire	140 mph (224 km/h) (Modo de velocidad del aire)	175 mph (280 km/h) (Modo de velocidad del aire)
Peso de la máquina (Herramienta descubierta)	4.85 lbs (2.2 kg)	4.85 lbs (2.2 kg)

* X puede ser seguido por uno o dos caracteres. Todos los modelos son iguales, excepto el número de modelo y la marca registrada. El sufijo en los modelos puede ser un número del "1" al "999" o la letra inglesa "A" a "Z" o "M1" a "M9" que significa un paquete diferente o el Varios accesorios embalados en el paquete.

** Voltaje medido sin carga de trabajo. El voltaje inicial de la batería alcanza un máximo de 60 V. El voltaje nominal es 54 V.

30	Categoría	Modelo	Capacidad
ES	60V Batería	KA3000	2.0 Ah
		KA3001	2.5 Ah
		KA3002	4.0 Ah
		KA3008	5.0 Ah
	60V Cargador	KA3712	3.0 A
KA3714		5.0 A	

Le recomendamos que compre todos los accesorios en la tienda donde adquirió la herramienta. Consulte el empaque de los accesorios para obtener más detalles. El personal de la tienda también puede ayudarle y aconsejarle.



LISTA DE PARTES

1. BOQUILLA

 2. TUBO SOPLADOR

 3. BOTÓN DE LIBERACIÓN DEL TUBO

 4. CONTROL DE VELOCIDAD VARIABLE

 5. BOTÓN TURBO PARA AMPLIFICACIÓN DE POTENCIA

 6. MANGO

 7. BOTÓN DE LIBERACIÓN DEL PAQUETE DE BATERÍAS

 8. PAQUETE DE BATERÍAS ***

 9. GATILLO

 10. ENTRADA DE AIRE

 11. CARCASA DEL MOTOR

 12. SELECTOR DE VELOCIDAD DEL AIRE - BOTÓN DE LIBERACIÓN DE LA BOQUILLA
-

***No todos los accesorios ilustrados o descritos se incluyen junto con el producto estándar.

USO DESTINADO

El soplador se encuentra diseñado sólo para uso residencial. Utilice el soplador en exteriores para mover los desechos cuando sea necesario.

ANTES DEL FUNCIONAMIENTO

ARME Y DESARME DEL TUBO SOPLADOR

Para armar (Fig. A)

- Alinee la ranura y empuje el tubo hacia la carcasa del soplador hasta que oiga un "clic".

Para desarmar (Fig. B)

- Presione el botón de liberación del tubo y saque el tubo.



Carga de la batería (FIG. C)

- Su paquete de baterías está cargado parcialmente y tiene que cargarse completamente antes del primer uso.
- Se pueden encontrar más detalles en el manual del cargador.

⚠ ADVERTENCIA! Tanto el cargador como el pack de batería están diseñados para operar conjuntamente, de modo que no debe utilizarse ningún otro dispositivo. Nunca inserte objetos metálicos en las conexiones del cargador o del pack de batería, pues incurriría en peligro de avería eléctrica.

Revisar la condición de la batería (Fig. D)

El nivel de la batería se puede determinar presionando el botón indicador de energía al lado de las luces de batería. Presione el botón antes y después de cada uso para que compruebe la batería

Observaciones	Luz LED	Estado de la batería
Cinco luces verdes iluminadas.		$70 \% \leq$ nivel de energía $\leq 100 \%$
Cuatro luces verdes iluminadas.		$50 \% \leq$ nivel de energía $< 69 \%$

Tres luces verdes iluminadas.		$35 \% \leq$ nivel de energía $< 49 \%$
Dos luces verdes iluminadas.		$20 \% \leq$ nivel de energía $< 34 \%$
Una luz verde iluminada.		$10 \% \leq$ nivel de energía $< 19 \%$
Ninguna luz iluminada.		Nivel de energía $< 10 \%$

INSTALAR Y RETIRAR EL PAQUETE DE BATERÍAS

Para instalar (Fig. E)

- Después de recargar, inserte el paquete de baterías en el puerto de la batería de la herramienta. Un simple empuje con una presión leve será suficiente.

Para retirar (Fig.F)

- Presione el botón de liberación de la batería para liberar el paquete de baterías de la herramienta.

FUNCIONAMIENTO

MODO DE VELOCIDAD DEL AIRE (FIG. G)

NOTA: El soplador se encuentra en el modo de velocidad del aire como se empacó en la caja.

- El modo de velocidad del aire se recomienda para limpiar en la hierba, como se muestra en la Fig. 11.

MODO DE VOLUMEN DE AIRE (FIG. H1, H2)

- Deprima el botón de liberación de la boquilla y deslice hacia adelante para el modo de volumen de aire.
- El modo de volumen de aire se recomienda para limpiar en superficies rígidas, como cemento, tal como se muestra en la Fig. 12

NOTA: Para cambiar los modos, deslice hacia atrás para el modo de velocidad del aire.

PARA COMENZAR

CONTROL DE VELOCIDAD VARIABLE (FIG. 11, 12):

Gire el control de velocidad variable en sentido

horario o antihorario para aumentar o disminuir la velocidad de soplado/volumen de aire con el interruptor de 3 velocidades.

NOTA: Cuando el control de velocidad variable está en la posición “apagado”, el soplador no arrancará. Gire el control de velocidad variable hasta seleccionar la velocidad deseada a la que arrancará el soplador, y después póngalo a funcionar.

PARA DETENER (FIG. I3)

Gire el control de velocidad variable en sentido horario hasta “O” o deprimir el gatillo y soltarlo para tener una parada rápida y gire el control de velocidad variable en sentido horario hasta la posición de “O” después de cada uso.

NOTA: Después de terminar la parada rápida, el control de velocidad variable no funcionará hasta que haya oprimido completamente el gatillo acelerador.

CONSEJOS AL USUARIO

- Sostenga el tubo soplador aproximadamente 20 cm sobre la superficie cuando utilice la herramienta. Use un movimiento de barrido de lado a lado. Avance lentamente manteniendo los escombros/hojas acumulados delante de usted.
- Después de soplar los escombros/hojas en una pila, es fácil desechar la pila.

¡PRECAUCIÓN!

- No sople objetos duros como clavos, tornillos o piedras.
- No utilice el soplador cerca de transeúntes ni de mascotas.
- Ponga cuidado extra cuando limpie escombros de escaleras y otras áreas estrechas.
- Lleve gafas de protección u otra protección ocular adecuada, pantalones largos y zapatos.

BOTÓN TURBO PARA AMPLIFICACIÓN DE POTENCIA (FIG. J)

- Presione el botón turbo para amplificar la potencia mientras trabaja para aumentar temporalmente el flujo de aire al máximo nivel.
- Libere el botón turbo, el soplador retornará a la velocidad seleccionada previamente.

NOTA: El botón turbo para amplificación de potencia puede aumentar significativamente

el flujo de aire, y se puede usar para despejar escombros pesados o húmedos.

LIMPIAR LA HERRAMIENTA

Limpie la herramienta con regularidad.

 **ADVERTENCIA!** Mantenga limpio el producto. No pulverice agua sobre él bajo ninguna circunstancia.

- Para limpiar la herramienta, utilice sólo jabón suave y un paño húmedo.
- No utilice ningún tipo de detergente, limpiador o disolvente que pueda contener productos químicos. Podría dañar seriamente la carcasa de plástico.
- Su producto utiliza rodamientos autolubricados, por lo que no necesitan lubricación.
- Asegure que no haya restos que bloqueen el área del puerto de entrada del soplador.

PARA HERRAMIENTAS DE BATERÍA

El rango de temperatura ambiente para uso y almacenamiento de la herramienta y la batería es de 0 °C- 45 °C(32 °F-113 °F).

El rango de temperatura ambiente recomendado para el sistema de carga durante la carga es de 0 °C- 40 °C (32 °F-104 °F).

Kress 

Copyright © 2023, Positec. All Rights Reserved.
AR01608503